

TS / TSE / STS

Heavy duty lightweight vertical lifting clamp

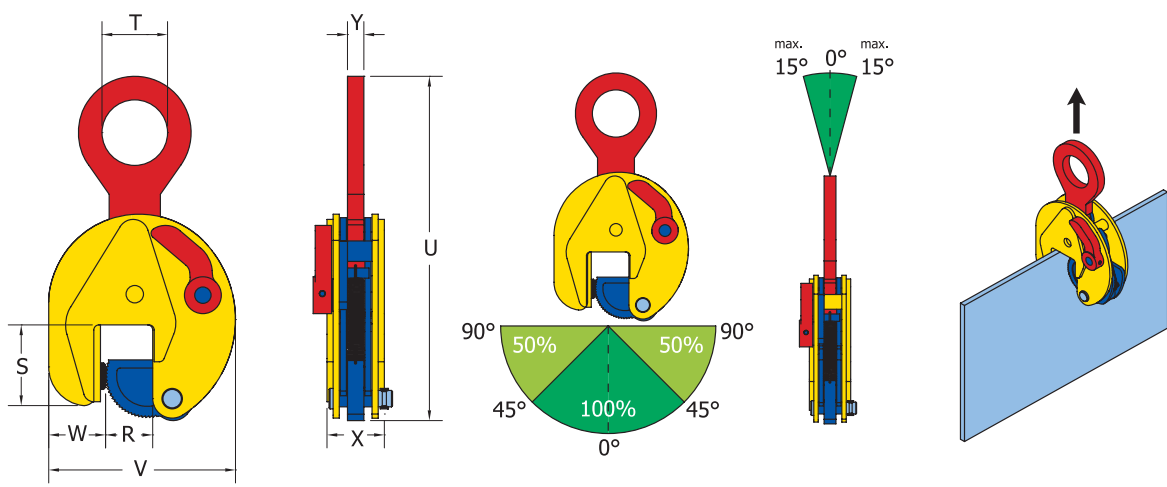
Application:

- For vertical lifting, transporting, and turning of all steel plates and structures
- Jaw openings available from: 0 to 5.90 in.
- TSE / STS types are supplied with enlarged jaw opening
- Working load limit (WLL) 1,650 - 66,000 lbs (Higher WLL available upon request)
- Min. WLL is 10% of max. WLL

Note: Surface hardness of the material lifted must not exceed 37 HRC/345 Hb

Features and Benefits:

- Lightweight design for easy handling
- Tough quality heavy-duty welded shell body
- Always equipped with a safety mechanism, ensuring the clamp does not slip when lifting force is applied and when load is being lowered
- Clamp is locked in closed as well as open position
- Maintenance-friendly. Easy to exchange parts are available upon request



Reference No.	Type	Capacity/WLL (lb/pc)	Jaw opening (R) (inches)	Dimensions in inches							Weight (lb/pc)
				S	T	U	V	W	X	Y	
850000	0.75 TS	1,650	0 - 0.51	1.85	1.18	7.95	3.94	1.46	1.46	0.39	4
850880	1 TSE	2,200	0 - 1.00	2.20	1.77	10.35	5.55	1.46	1.85	0.59	8
850901	2 TSE	4,400	0 - 1.37	3.07	2.52	13.23	7.20	2.20	2.20	0.63	16
850331	3 TSE	6,600	0 - 1.37	3.07	2.52	13.23	7.20	2.20	2.20	0.63	16
850441	4.5 TS	9,900	0 - 1.00	3.35	2.76	16.65	7.99	2.36	3.03	0.79	33
850451	4.5 TSE	9,900	0 - 1.77	3.35	2.76	16.73	8.98	2.36	3.07	0.79	36
850301	6 TS	13,200	0 - 1.25	4.49	2.95	19.29	8.86	3.07	3.07	0.79	42
851411	6 TSE	13,200	0 - 2.00	4.49	2.95	19.29	10.20	3.23	3.07	0.79	47
850401	7.5 TS	16,500	0 - 1.57	4.37	2.95	20.87	9.69	2.99	3.23	0.79	53
851501	7.5 TSE	16,500	0 - 2.16	4.37	2.95	20.55	10.51	2.76	3.39	0.79	58
851551	9 TS	19,800	0 - 2.16	4.37	2.95	20.55	10.51	2.76	3.39	0.79	60
850501	12 TS	26,400	0 - 2.04	5.83	3.35	24.29	11.61	3.94	3.70	1.73	82
915000	15 TS	33,000	0 - 3.00	8.23	3.39	31.89	14.69	5.35	4.17	1.93	155
917000	17 TS	37,400	0 - 3.00	8.23	3.39	31.89	14.69	5.35	4.17	1.93	157
920000	20 TS	44,000	0 - 3.14	9.84	3.94	36.73	22.17	6.02	5.51	2.60	329
925000	25 TS	55,000	0.19 - 3.34	9.84	3.94	36.42	22.17	5.83	5.51	2.60	329
930000	30 TS	66,000	0.39 - 3.54	9.84	3.94	36.14	22.36	6.02	5.59	2.60	343
852200	6 STS	13,200	1.57 - 3.54	4.49	2.95	19.13	10.83	2.76	3.07	0.79	47
854300	7.5 STS	16,500	2.00 - 3.93	4.37	2.95	20.63	12.28	2.76	3.39	0.79	59
853305	9 STS	19,800	2.00 - 3.93	4.37	2.95	20.55	12.28	2.76	3.39	0.79	61
852401	12 STS	26,400	2.00 - 3.93	5.98	3.35	24.21	13.54	3.94	3.70	1.73	91
921500	15 STS	33,000	3.14 - 5.90	8.82	3.39	31.50	17.72	5.35	4.17	1.93	168
922000	20 STS	44,000	3.14 - 5.90	9.80	3.94	36.38	25.20	6.02	5.51	2.60	353
922500	25 STS	55,000	3.14 - 5.90	9.80	3.94	36.38	25.20	6.02	5.51	2.60	353
923000	30 STS	66,000	3.14 - 5.90	9.80	3.94	35.67	25.39	6.14	5.59	2.60	365