

# TPH / TPH-HD

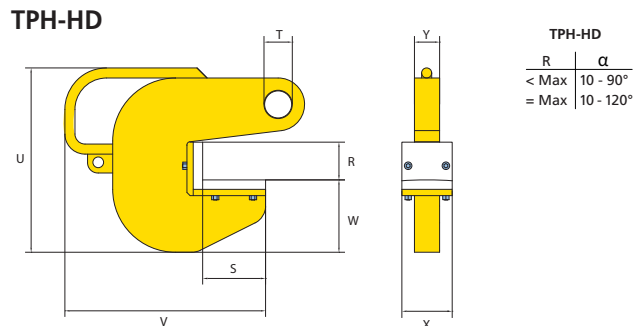
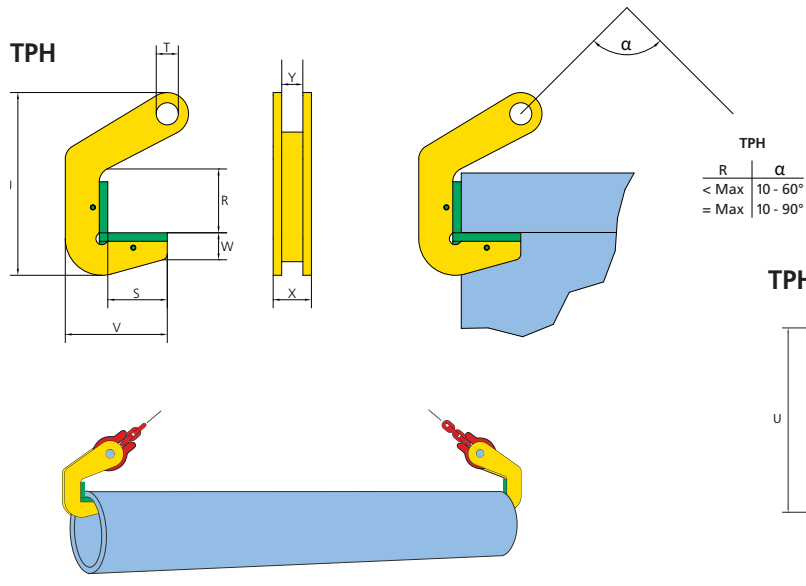
Heavy duty clamp with high pressure resistant plastic for horizontal pipe lifting

### Application:

- For horizontal lifting and transporting of steel and concrete pipes without damaging the product
- TPH-HD version is specially designed for extreme heavy duty lifting situations (eg. loading and unloading ships)
- **Terrier TPH/TPH-HD lifting clamps must always be used in pairs**
- Jaw openings available up to 2.75 in.
- Working load limit (WLL) 3,300 - 132,200 lbs per pair (Higher WLL available upon request)

### Features and Benefits:

- TPH Jaw is covered with a special high quality pressure resistant plastic
- TPH-HD Jaw is covered with special high quality extreme high pressure resistant plastic
- Maintenance-friendly. Plastic pressure resistant cover is easy to change
- TPH-HD has special handle for easy handling
- Compact design and high lifting capacity
- Lightweight design for easy handling
- Tough quality heavy-duty body



Terrier TPH/TPH-HD lifting clamps must always be used in pairs

Reference No.	Type	Capacity/WLL		Jaw opening (R) (inches)	Dimensions in inches							Weight (lb/pc)
		(lb/pc)	(lb/pair)		V	S	W	U	T	X	Y	
960150	1.5 TPH	1,650	3,300	0 - 1.57	4.72	2.76	1.97	7.28	0.63	1.61	0.98	5
960300	3 TPH	3,300	6,600	0 - 1.57	4.72	2.76	1.97	7.28	0.63	1.61	0.98	5
960400	4 TPH	4,400	8,800	0 - 2.00	5.51	2.76	2.28	8.03	1.02	1.61	0.98	7
960600	6 TPH	6,600	13,200	0 - 2.00	5.51	2.76	2.28	8.03	1.02	1.61	0.98	7
960800	8 TPH	8,800	17,600	0 - 2.75	5.51	2.76	2.28	8.82	1.02	1.77	0.98	8
960810	10 TPH	11,000	22,000	0 - 2.75	5.51	2.76	2.28	8.82	1.02	3.35	1.77	16
960812	12 TPH	13,200	26,400	0 - 2.75	5.51	2.76	2.28	8.82	1.02	3.35	1.77	16
960915	15 TPH	16,500	33,000	0 - 2.75	6.10	2.76	2.99	9.84	1.02	3.94	2.36	20
960920	20 TPH	22,000	44,000	0 - 2.75	6.10	2.76	2.99	9.84	1.02	3.94	2.36	20
965050	5 TPH-HD	5,500	11,000	0 - 2.36	12.17	3.94	3.35	9.13	1.02	3.15	0.79	15
965100	10 TPH-HD	11,000	22,000	0 - 2.36	12.56	3.94	3.35	9.29	1.42	3.15	1.18	22
965200	20 TPH-HD	22,000	44,000	0 - 2.36	14.25	3.94	4.13	11.22	2.01	3.15	1.38	31
965300	30 TPH-HD	33,000	66,000	0 - 2.36	15.24	3.94	4.53	12.20	2.28	3.15	1.57	42
965600	60 TPH-HD	66,100	132,200	0 - 2.36	16.46	3.94	4.53	13.78	3.35	3.15	2.36	63