

TOBK

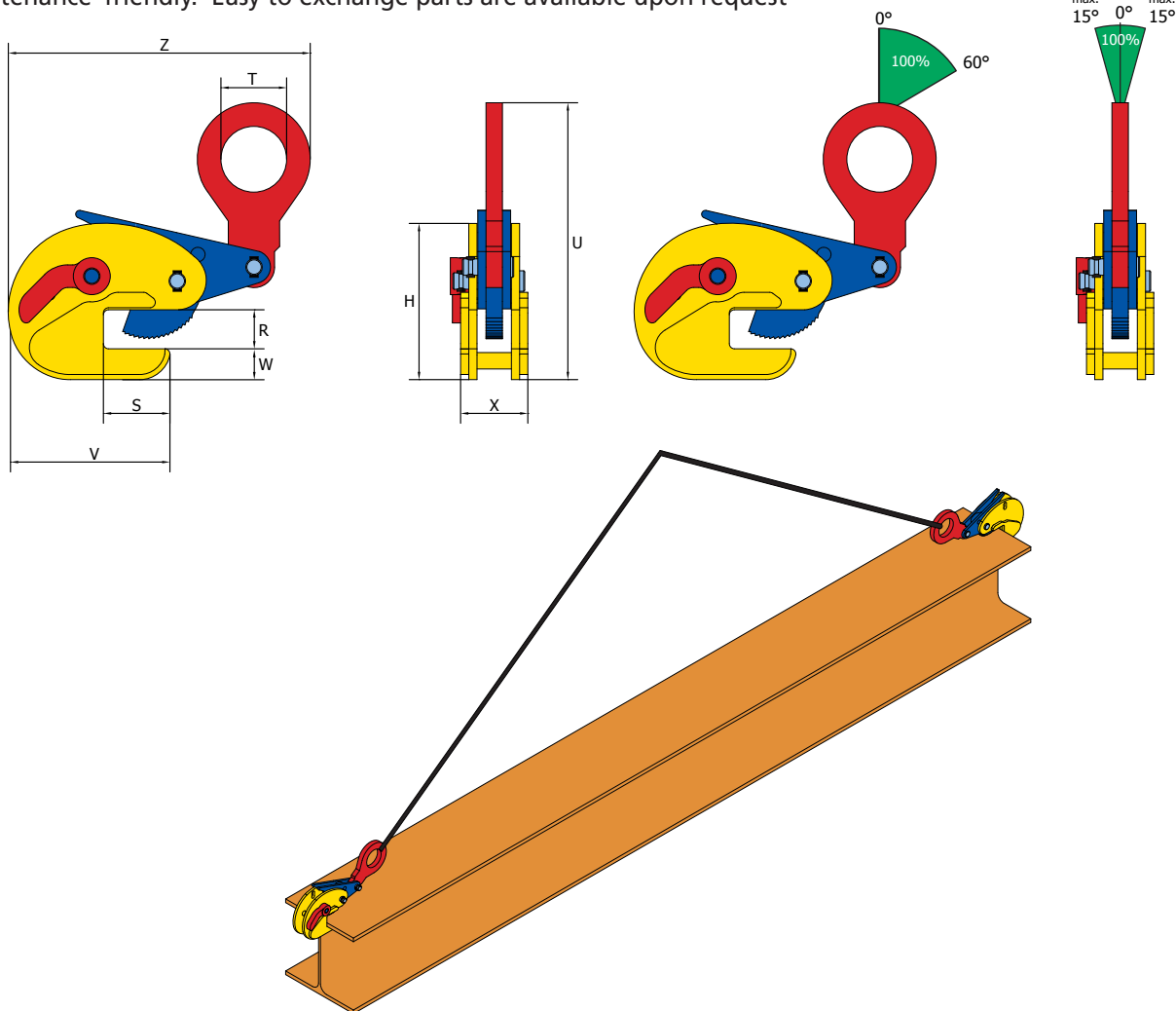
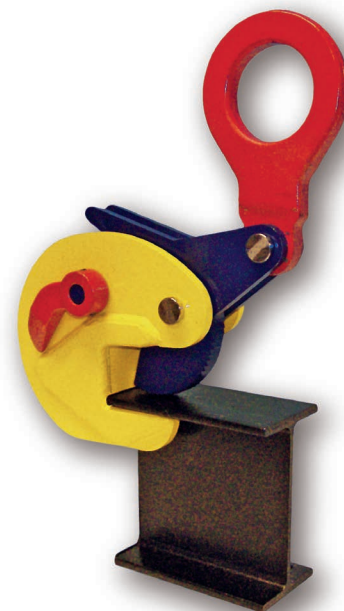
Easy horizontal H-beam lifting

Application:

- For horizontal lifting, transportation, and stacking of steel (H) beams, profiles and structures
- Jaw openings available from: .11 to .78 in.
- **Terrier TOBK lifting clamps must always be used in pairs**
- Working load limit (WLL) 4,400 lbs, (8,800 lbs per pair)
- Min. WLL is 10% of max. WLL

Features and Benefits:

- Special design makes it possible to lift steel (H) beams on the flange as well as on the upper ends of the beam
- Always equipped with a safety mechanism, ensuring the clamp does not slip when lifting force is applied and when load is being lowered
- Clamp is locked in closed as well as open position
- Lightweight design for easy handling
- Tough quality heavy-duty welded shell body
- Maintenance-friendly. Easy to exchange parts are available upon request



Terrier TOBK lifting clamps must always be used in pairs

Reference No.	Type	Capacity/WLL		Jaw opening (R) (inches)	Dimensions in inches								Weight (lb/pc)	
		(lb/pc)	(lb/pair)		V	W	S	H	T	Z	X	U		Y
851001	2 TOBK	4,400	8,800	0.11 - 0.78	7.56	1.18	2.52	6.06	2.52	11.22	2.56	12.20	0.59	15