

TDH

Lightweight heavy duty clamp for safe and easy lifting of bending sheets

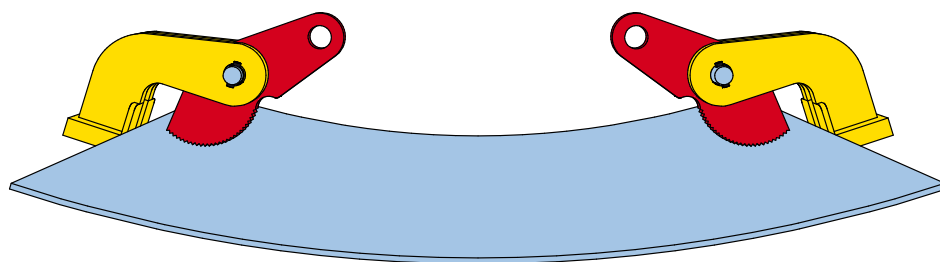
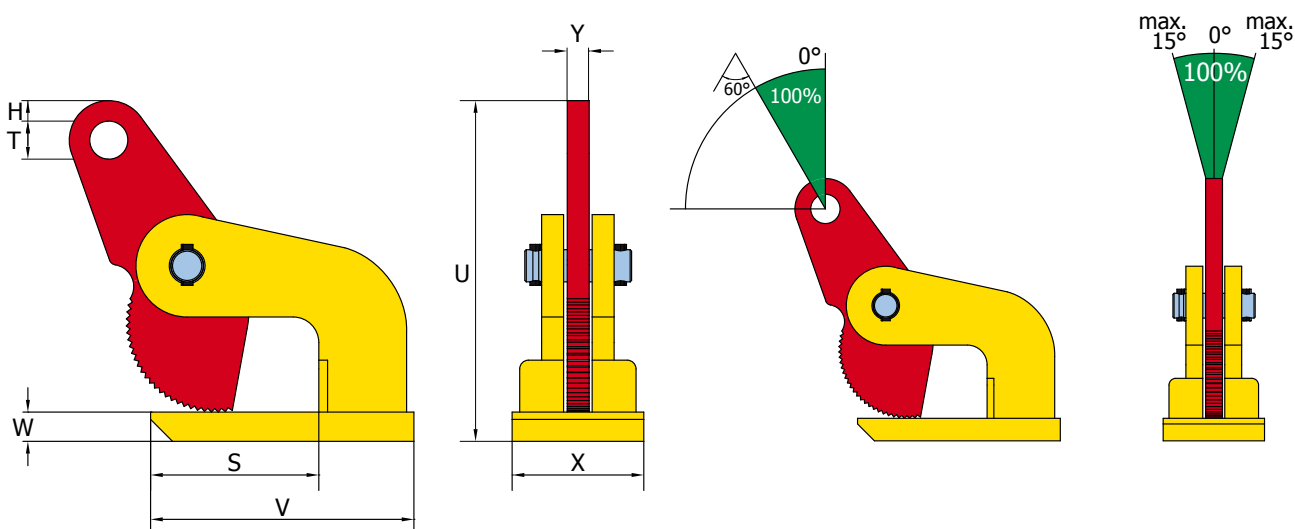
Application:

- For horizontal lifting and transporting of sheets that will bend or deflect when being lifted
- Terrier TDH lifting clamps must always be used in pairs (or multiples thereof)
- Jaw openings available from: 0 to 2.00 in.
- Working load limit (WLL) 2,200 - 13,200 lbs (Higher WLL available upon request)



Features and Benefits:

- Compact design and high lifting capacity
- Lightweight design for easy handling
- Tough quality heavy-duty welded body
- Maintenance-friendly. Easy to exchange parts are available upon request



Terrier TDH lifting clamps must always be used in pairs (or multiples thereof)

Reference No.	Type	Capacity/WLL		Jaw opening (R) (inches)	Dimensions in inches							Weight (lb/pc)	
		(lb/pc)	(lb/pair)		V	S	W	T	H	X	U		Y
970100	1 TDH	1,100	2,200	0 - 0.59	5.51	3.90	0.39	0.88	0.53	2.56	6.57	0.59	6
970200	2 TDH	2,200	4,400	0 - 1.37	7.09	4.49	0.79	1.02	0.55	3.54	9.17	0.59	18
970400	4 TDH	4,400	8,800	0 - 2.00	9.25	5.08	1.18	1.57	0.98	5.12	11.97	0.79	42
970600	6 TDH	6,600	13,200	0 - 2.00	9.25	5.08	1.18	1.57	0.98	5.12	11.97	0.79	42