

# TBC / TBC-A

## FOR CONCRETE USE ONLY

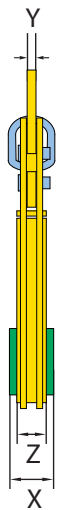
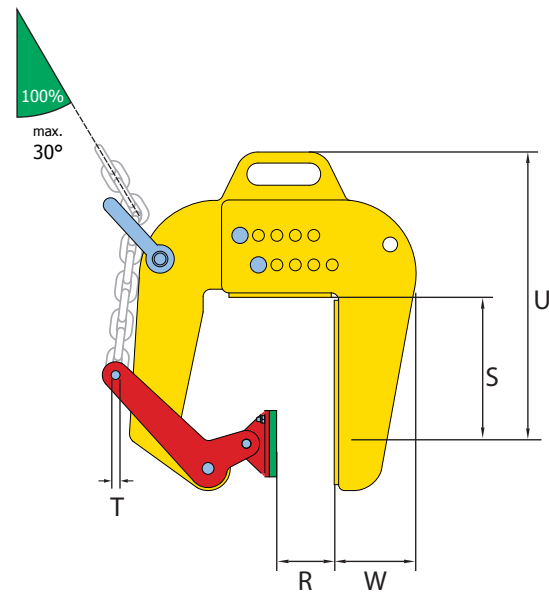
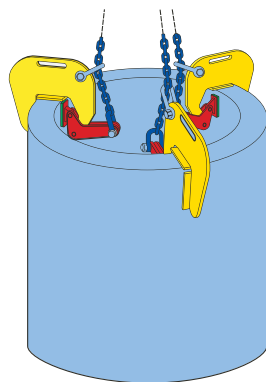
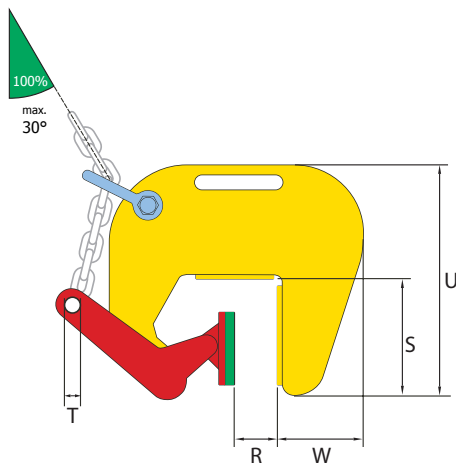
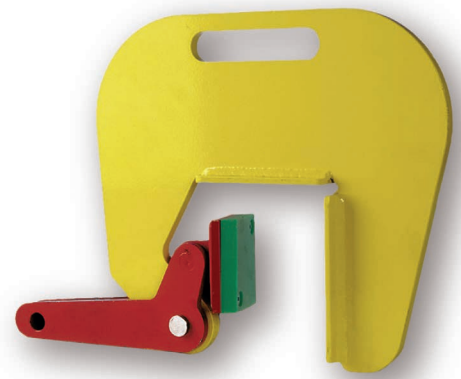
Lightweight clamp with pressure resistant plastic cam for vertical concrete pipe lifting

### Application:

- For vertical lifting and transporting of concrete pipes and wells
- Terrier TBC / TBC-A lifting clamps must always be used in pairs (or per three clamps)
- TBC jaw opening available from: 2.36 to 4.72 in.
- TBC-A has an XXL jaw opening available from: 1.96 to 8.66 in. (adjustable in steps of .98 in.)
- Working load limit (WLL) 2,200 lbs
- Min. WLL is 10% of max. WLL
- Other jaw openings available upon request

### Features and Benefits:

- The cam is covered with a special high quality pressure resistant plastic
- Maintenance-friendly. Plastic pressure resistant cover is easy to change
- Tough quality heavy-duty body
- Lightweight design for easy handling



Terrier TBC / TBC-A lifting clamps must always be used in pairs (or per three clamps)

Reference No.	Type	Capacity/WLL (lb/pc)	Jaw opening (R) (inches)	Dimensions in inches							Weight (lb/pc)
				U	S	W	T	X	Z	Y	
870101	1 TBC	2,200	2.36 - 4.72	12.83	6.65	3.82	0.47	2.36	1.57	0.47	23
870105	1 TBC-A	2,200	2.00 - 8.66	18.07	10.31	4.17	0.47	2.36	1.57	0.47	34