

FSV / FSVS / FSVSU

Multi purpose beam screw clamp

Application:

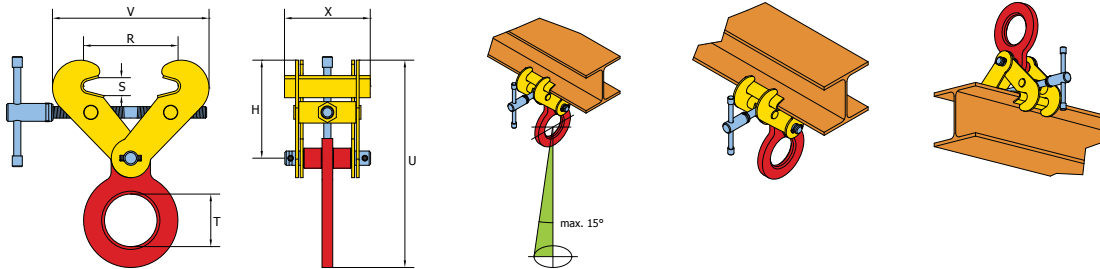
- For horizontal lifting and transportation of steel (H) beams, profiles, and structures
- Can be used as upside down attached anchor point (temporary)
- FSV Jaw openings available from: 2.95 to 17.71 in.
- FSVS / FSVSU types are supplied with enlarged jaw opening: 2.95 to 22.04 in.
- FSV Working load limit (WLL) 2,200 - 22,000 lbs (Higher WLL available upon request)
- FSVS / FSVSU Working load limit (WLL) up to 11,000 lbs

Features and Benefits:

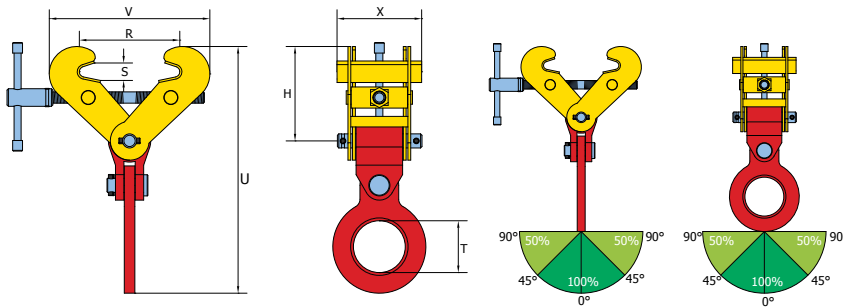
- Special design makes it possible to lift steel (H) beams and structures
- Equal opening and closing of both jaws for simple and quick operation
- Welded jaw plates for better positioning and less risk of damaging load
- FSVSU types are supplied with reinforced body and articulated lifting shackle
- Lightweight, heavy-duty body
- Maintenance-friendly. Easy to exchange parts are available upon request



FSV



FSVSU



Reference No.	Type	Capacity/WLL (lb/pc)	Jaw opening (R) (inches)	Dimensions in inches						Weight (lb/pc)
				S	T	V-max	U-max	H	X	
851400	1 FSV	2,200	2.95 - 7.48	1.18	2.89	14.06	13.58	4.44 - 7.55	4.72	12
851500	2 FSV	4,400	2.95 - 7.48	1.18	2.89	14.06	13.58	4.44 - 7.55	4.72	12
851600	3 FSV	6,600	2.95 - 7.48	1.18	2.89	14.06	13.58	4.44 - 7.55	4.72	12
851700	4 FSV	8,800	5.90 - 11.81	1.57	3.15	17.72	16.61	7.28 - 9.44	7.09	34
851800	5 FSV	11,000	5.90 - 11.81	1.57	3.15	17.72	16.61	7.28 - 9.44	7.09	34
851110	10 FSV	22,000	13.77 - 17.71	3.74	3.46	27.36	25.71	15.74 - 17.98	7.87	111
962000	2 FSVS	4,400	2.95 - 16.53	1.18	2.89	21.26	16.85	4.48 - 10.82	4.72	16
963000	3 FSVS	6,600	2.95 - 16.53	1.18	2.89	21.26	16.85	4.48 - 10.82	4.72	16
964000	4 FSVS	8,800	5.90 - 22.04	1.57	3.15	27.87	21.46	6.81 - 14.25	7.09	40
965000	5 FSVS	11,000	5.90 - 22.04	1.57	3.15	27.87	21.46	6.81 - 14.25	7.09	43
956300	3 FSVSU	6,600	2.95 - 16.53	1.18	2.89	21.26	19.35	4.48 - 10.82	4.72	18
956400	4 FSVSU	8,800	5.90 - 22.04	1.57	3.15	27.87	24.49	6.81 - 14.25	7.09	47
956500	5 FSVSU	11,000	5.90 - 22.04	1.57	3.15	27.87	24.49	6.81 - 14.25	7.09	49