

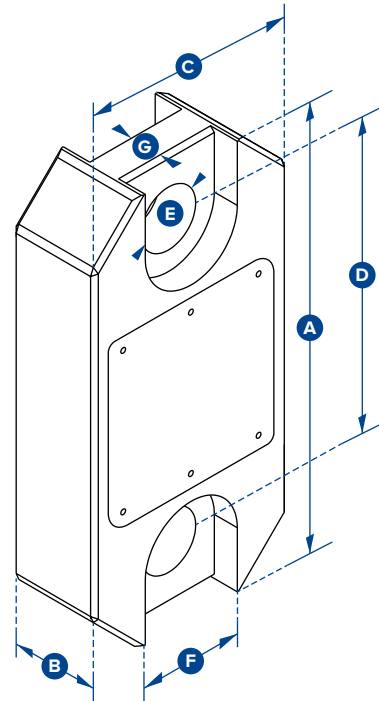
Also available with hazardous area approval. Zones 0, 1 & 2



ATEX / IECEX
Ex ia II C T4 Ga

Certification numbers:
RLP ATEX
 IECEX SIR 15.0071X / Sira 15ATEX2195X
SW-HHP ATEX
 IECEX SIR 15.0072X / Sira 15ATEX2196X

Add 'ATEX' to the part number when ordering ATEX/IECEX products. For example: RLP6T5-ATEX



Part Numbers															
SP	RLP1T	RLP2T5	RLP6T5	RLP12T	RLP25T	RLP35T	RLP55T	RLP75T	RLP100T	RLP150T	RLP200T	RLP250T	RLP300T	RLP500T	
Crosby	2789084	2789089	2789094	2789082	2789088	2789091	2789093	2789095	2789081	2789083	2789085	2789087	2789090	2789092	
Capacity	1,000kg 2200lb	2.5te 5500lb	6.5te 14300lb	12te 26000lb	25te 55000lb	35te 77000lb	55te 120000lb	75te 165000lb	100te 220000lb	150te 330000lb	200te 440000lb	250te 550000lb	300te 660000lb	500te 1100000lb	
Resolution	0.5kg 1lb	0.001te 2lb	0.001te 2lb	0.002te 5lb	0.005te 10lb	0.005te 10lb	0.01te 20lb	0.01te 20lb	0.05te 100lb	0.05te 100lb	0.1te 200lb	0.1te 200lb	0.1te 200lb	0.1te 200lb	
Units	kg lb	te lb	te lb	te lb	te lb	te lb	te lb	te lb	te lb	te lb	te lb	te lb	te lb	te lb	
Weight	1.5kg 3.3lb	1.5kg 3.3lb	2.4kg 5.3lb	3.7kg 8.2lb	5kg 11lb	8.6kg 19lb	13kg 28.7lb	16kg 35.3lb	34kg 75lb	46kg 101.4lb	82kg 180.8lb	82kg 180.8lb	118kg 260lb	193kg 425.5lb	
Safety Factor	12:1	7:1	7:1	7:1	5:1	5:1	5:1	5:1	5:1	4:1	5:1	4:1	5:1	5:1	
Battery Type	Handheld 2 x AA / Load cell 4 x AA														
Battery Life	Handheld - 40 hours / Load cell 1200 hours continuous (Load cell 500 hours if Bluetooth)														
Display Type	240 x 128 pixel Multi-line dot matrix with backlight														
Operating Temp	-10°C to +50°C or 14°F to 122°F														
Accuracy	±0.1% of full scale														
Frequency	2.4 GHz														
System Range	1000 metres or 3280 feet (100 metres or 328 feet if Bluetooth) (500 metres or 1640 feet if ATEX/IECEX)														
Data Rate	3 Hz - up to 200 Hz can be ordered for dynamic load monitoring applications														
Protection	IP67 or NEMA6														
Dimension A	204 8.03"	204 8.03"	249 9.80"	305 12.01"	340 13.39"	393 15.47"	424 16.69"	470 18.50"	608 23.94"	670 26.38"	700 27.56"	700 27.56"	806 31.73"	930 36.61"	
Dimension B	43 1.69"	43 1.69"	43 1.69"	47 1.85"	60 2.36"	75 2.95"	75 2.95"	75 2.95"	99 3.90"	99 3.90"	144 5.67"	144 5.67"	150 5.91"	150 5.91"	
Dimension C	104 4.09"	104 4.09"	113 4.45"	113 4.45"	115 4.53"	126 4.96"	180 7.09"	202 7.95"	255 10.04"	303 11.93"	350 13.78"	350 13.78"	426 16.77"	570 22.44"	
Dimension D	146 5.75"	146 5.75"	165 6.50"	193 7.60"	215 8.46"	225 8.86"	230 9.06"	260 10.24"	320 12.60"	360 14.17"	350 13.78"	350 13.78"	350 13.78"	450 17.72"	
Dimension ØE	24.5 0.96"	24.5 0.96"	38 1.50"	47.5 1.87"	55 2.17"	60 2.36"	76 2.99"	76 2.99"	109 4.29"	109 4.29"	145 5.71"	145 5.71"	160 6.30"	200 7.87"	
Dimension F	48 1.89"	48 1.89"	65 2.60"	Not relevant in this capacity											
Dimension G	19 0.75"	19 0.75"	32 1.26"												
Crosby Shackle	G2130					G2140					G2160				
Loading Pin Ø	19 3/4"	19 3/4"	25 1"	35 1 3/8"	51 2"	57 2 1/4"	57 2 1/4"	70 2 3/4"	83 3 1/4"	95 3 3/4"	121 4 3/4"	127 5"	152 6"	180 7 1/8"	

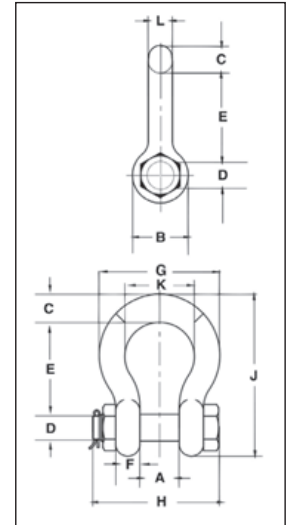
Crosby® Alloy Bolt Type Shackles



G-2140 / S-2140

G-2140 meets the performance requirements of Federal Specification RR-C-271F, Type IVA, Grade B, Class 3, except for those provisions required of the contractor. For additional information, see page 452.

- Quenched and Tempered.
- Alloy bows, Alloy bolts.
- Forged Alloy Steel 2 thru 200 metric tons. Cast Alloy Steel 250 thru 400 metric tons. Meets performance requirements of Grade 8 shackles.
- Working Load Limit is permanently shown on every shackle.
- 30, 40, 55, and 85 metric ton shackle bows are available galvanized or self colored with bolts that are galvanized and painted red.
- 120, 150, 175 metric ton shackle bows are hot-dip galvanized; bolts are Dimetcoated and painted red.
- 400 metric ton shackle bows are Dimetcoated; bolts are Dimetcoated and painted red.
- Sizes 1-1/2 and larger are **RFID EQUIPPED**.
- Approved for use at -40 degrees C (-40 degrees F) to 204 degrees C (400 degrees F).
- Shackles are Quenched and Tempered and can meet DNV impact requirements of 42 joules (31 ft-lbs.) at -20 degrees C (-4 degrees F).
- All sizes are individually proof tested to 2.0 times the Working Load Limit.
- Refer to page 87 for Crosby COLD TUFF® shackles that meet the additional requirements of DNV rules for certification of lifting applications - Loose Gear.
- Shackles 200 metric tons and larger are provided as follows.
 - Serialized bolt and bow
 - Material certification (chemical)
 - Magnetic particle inspected.
 - Certification must be requested at time of order.
- Meets or exceeds all requirements of ASME B30.26 including identification, ductility, design factor, proof load and temperature requirements. 2140 shackles meet other critical performance requirements including impact properties and material traceability, not addressed by ASME B30.26.
- Type Approval certification in accordance with ABS 2007 Steel Vessel Rules 1-11-17.7 and ABS Guide for Certification on Cranes available. Certificates available when requested at time of order and may include additional charges.
- Look for the Red Pin® . . . the mark of genuine Crosby quality.



SEE APPLICATION INFORMATION

On Page 92 of the General Catalog
Para Español: www.thecrosbygroup.com

G-2140 / S-2140 Crosby® Alloy Bolt Type Anchor Shackles

Nominal Shackle Size (in.)	Working Load Limit (t)*	Stock No.			Weight Each (lbs.)	Dimensions (in.)														Tolerance +/-	
		G-2140	S-2140	S-2140OC		A	B	C	D +/- .02	E	F	G	H	J	K	L	M	N	A	E	
3/8	2	1021015	-	-	0.33	0.66	0.91	0.38	0.44	1.44	0.38	1.78	2.17	2.49	1.03	0.38	-	-	0.06	0.13	
7/16	2 2/3	1021020	-	-	0.49	0.75	1.06	0.44	0.50	1.69	0.41	2.03	2.51	2.91	1.16	0.44	-	-	0.06	0.13	
1/2	3 1/3	1021029	-	-	0.79	0.81	1.19	0.50	0.64	1.88	0.46	2.31	2.80	3.28	1.31	0.50	-	-	0.06	0.13	
5/8	5	1021038	-	-	1.68	1.06	1.50	0.69	0.77	2.38	0.58	2.94	3.56	4.19	1.69	0.63	-	-	0.06	0.13	
3/4	7	1021047	-	-	2.72	1.25	1.81	0.81	0.89	2.81	0.69	3.50	4.15	4.97	2.00	0.75	-	-	0.06	0.25	
7/8	9 1/2	1021056	-	-	3.95	1.44	2.09	0.97	1.02	3.31	0.81	4.03	4.82	5.83	2.28	0.88	-	-	0.06	0.25	
1	12 1/2	1021065	-	-	5.66	1.69	2.38	1.06	1.15	3.75	0.92	4.69	5.39	6.56	2.69	1.00	-	-	0.06	0.25	
1 1/8	15	1021074	-	-	8.27	1.81	2.69	1.25	1.25	4.25	1.04	5.16	5.90	7.47	2.91	1.13	-	-	0.06	0.25	
1 1/4	18	1021083	-	-	11.7	2.03	3.00	1.38	1.40	4.69	1.16	5.75	6.69	8.25	3.25	1.29	-	-	0.06	0.25	
1 3/8	21	1021092	-	-	15.8	2.25	3.31	1.50	1.53	5.25	1.28	6.38	7.21	9.16	3.63	1.42	-	-	0.13	0.25	
1-1/2	30	1021110	1021129	1262407	18.8	2.38	3.62	1.62	1.63	5.75	1.39	6.88	7.73	10.00	3.88	1.53	-	-	0.13	0.25	
1-3/4	40	1021138	1021147	1262416	33.8	2.88	4.19	2.25	2.00	7.00	1.75	8.81	9.33	12.34	5.00	1.84	-	-	0.13	0.25	
2	55	1021156	1021165	1262425	49.9	3.25	4.81	2.40	2.25	7.75	2.00	10.16	10.41	13.68	5.75	2.08	-	-	0.13	0.25	
2-1/2	85	1021174	1021183	1262434	103	4.12	5.81	3.12	2.75	10.50	2.62	12.75	13.58	17.90	7.25	2.71	-	-	0.25	0.25	
3	120	1021192	-	1262443	162	5.00	6.50	3.63	3.25	13.00	3.00	14.62	15.13	21.50	7.88	3.12	-	-	0.25	0.25	
3-1/2	† 150	1021218	-	1262452	327	5.25	8.00	4.38	3.75	14.63	3.75	17.02	20.33	24.88	9.00	3.62	4.00	1.80	0.25	0.25	
4	† 175	1021236	-	1262461	318	5.50	9.00	4.56	4.25	14.50	4.00	18.00	21.20	25.68	10.00	4.00	4.00	1.80	0.25	0.25	
4-3/4	† 200	1021234	-	-	461	7.25	10.50	5.00	4.75	15.19	4.58	20.84	24.04	27.81	11.00	4.75	4.00	1.80	0.25	0.25	
5	† 250	1021243	-	-	608	8.50	12.00	5.62	5.00	18.50	4.85	23.62	24.87	32.61	13.00	5.00	4.00	1.80	0.25	0.25	
6	† 300	1021252	-	-	797	8.38	13.00	6.06	6.00	18.72	4.89	24.76	26.22	34.28	13.00	5.88	4.00	1.80	0.25	0.25	
7**	† 400	1021478	-	-	1289	8.25	14.00	7.25	7.00	22.50	6.50	26.00	29.66	40.25	13.00	6.00	4.00	1.80	0.25	0.25	

* Note: Maximum Proof Load is 2.0 times the Working Load Limit. Minimum Ultimate Load is 5 times the Working Load Limit on 2 thru 21 metric tons. For sizes 30 thru 175 metric tons, Minimum Ultimate Load is 5.4 times the Working Load Limit for 200 thru 400 metric tons, Minimum Ultimate Load is 4 times the Working Load Limit. ** Cast Alloy Steel. † Furnished with Round Head Bolts with an eyebolt for handling. For Working Load Limit reduction due to side loading applications, see page 94.