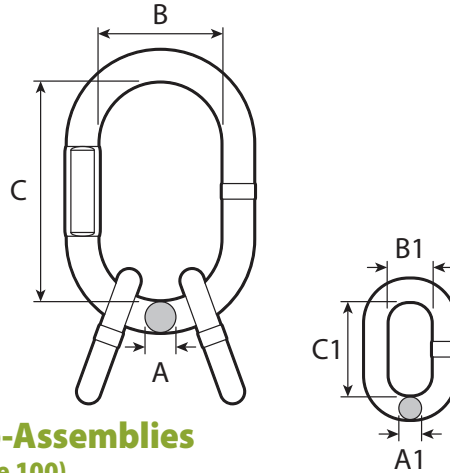


OVERHEAD LIFTING



Sub-Assemblies



**V10™ Alloy Oblong Sub-Assemblies
w/Small Sub-Links (Grade 100)**

Stock #	Mfr. #	Trade Size (Inches)	Matching G100 Chain Size (Inches)	Dimensions (Inches)						Lbs. Per Each	Working Load Limit (Lbs.)*
				3-4 Legs	A	B	C	A1	B1		
8452110	D18L13	3/4	9/32	0.75	2.95	5.31	0.51	1.50	2.36	3.0	11,200
8452210	D22L16	7/8	5/16	0.91	3.54	6.30	0.63	1.34	2.76	5.3	15,200
8452310	D26L20	1	3/8	1.06	3.94	7.09	0.75	1.57	3.35	8.4	22,900
8452410	D32L22	1-1/4	1/2	1.30	4.33	7.87	0.91	1.97	4.53	14.5	39,700
8452510	D38L26	1-1/2	5/8	1.50	5.91	10.83	1.06	2.56	5.51	25.3	61,100
8452610	D50L32	2	3/4	1.97	7.48	13.78	1.30	2.76	5.91	50.7	91,700
8452710	D56L36	2-1/4	7/8	2.20	9.84	13.78	1.42	2.95	6.69	68.4	110,900
8452810	D60L40	2-3/8	1	2.20	7.87	15.75	1.57	3.15	6.69	75.6	154,800

*Working Load Limit (WLL) of the oblong sub-assembly only, for WLL of chain slings please refer to pg.7.