

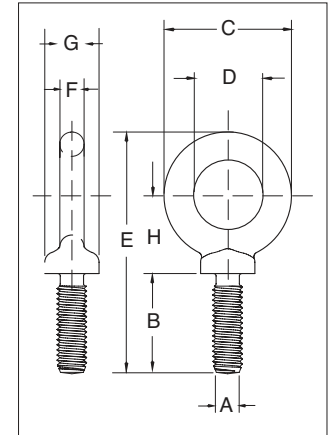


LIFTING POINTS

S-279 / M-279



- Forged steel - Quenched & Tempered.
- Working Load Limits shown are for in-line pull. For angle loading, see Warnings & Applications.
- Fatigue rated at 1-1/2 times the Working Load Limit at 20,000 cycles.
- Recommended for in-line pull.
- S-279 threaded UNC.
- M-279 metric threaded.
- Meets or exceeds all requirements of ASME B30.26 including identification, ductility, design factor, proof load and temperature requirements. Importantly, these bolts meet other critical performance requirements including fatigue life, impact properties and material traceability, not addressed by ASME B30.26.



S-279 UNC Shoulder Type Machinery Eye Bolts

Size (in)	Stock No.	Working Load Limit (lb)	Weight Per 100 (lb)	Dimensions (in)							
				A* Thread	B	C	D	E	F	G	H
1/4 x 1	9900182	650	5.00	1/4 - 20	1.02	1.13	.75	2.29	.19	.53	.77
5/16 x 1-1/8	9900191	1200	9.00	5/16 - 18	1.15	1.38	.88	2.74	.25	.59	.95
3/8 x 1-1/4	9900208	1550	15.00	3/8 - 16	1.27	1.62	1.00	3.07	.31	.69	1.05
1/2 x 1-1/2	9900217	2600	28.00	1/2 - 13	1.53	1.95	1.19	3.70	.38	.91	1.27
5/8 x 1-3/4	9900226	5200	55.00	5/8 - 11	1.79	2.38	1.38	4.45	.50	1.13	1.53
3/4 x 2	9900235	7200	96.00	3/4 - 10	2.05	2.76	1.50	5.07	.63	1.38	1.71
7/8 x 2-1/4	9900244	10600	154.00	7/8 - 9	2.31	3.25	1.75	5.87	.75	1.56	2.00
1 x 2-1/2	9900253	13300	238.00	1 - 8	2.57	3.76	2.00	6.66	.88	1.81	2.30
1-1/8 x 2-3/4	9900257	15000	320.00	1-1/8 - 7	2.75	4.19	2.25	7.20	.97	2.06	2.35
1-1/4 x 3	9900262	21000	399.00	1-1/4 - 7	3.09	4.50	2.50	7.95	1.00	2.28	2.73
1-1/2 x 3-1/2	9900271	24000	720.00	1-1/2 - 6	3.60	5.50	3.00	9.49	1.25	2.75	3.28
1-3/4 x 3-3/4	9900280	34000	1040.00	1-3/4 - 5	3.75	6.26	3.50	10.48	1.38	3.00	3.60
2 x 4	9900289	42000	1880.00	2 - 4-1/2	4.00	7.62	4.00	12.31	1.81	3.38	4.50
2-1/2 x 5	9900298	65000	3250.00	2-1/2 - 4	5.00	8.76	4.50	14.88	2.12	4.25	5.50

5:1 Design Factor. Maximum Proof Load is 2 times the Working Load Limit. *All bolts threaded UNC.



APPLICATION AND WARNING INFORMATION
SECTION 17