

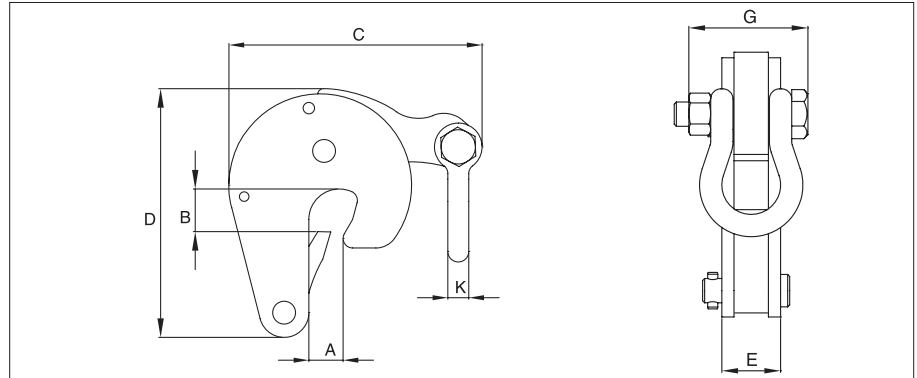
IPVK



Model IPVK

Model	Working Load Limit (t)*	Stock No.	Weight Each (lb)	Dimensions (in)						
				Jaw A	B	C	D	E	G	K
IPVK	0.5	2700116	3.53	0 - 0.63	1.02	5.31	5.20	1.14	2.01	0.43

* Design Factor based on EN 13155 and ASME B30.20.



12

