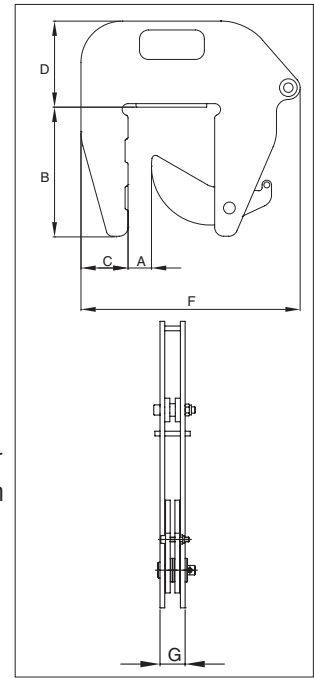


IPCC



**For Lifting and Transferring Concrete Pipe Sections and Wells**

- Available in capacity of 1 metric tons (higher Working Load Limits are available upon request).
- Jaw opening available: 1.56" - 5.50".
- Welded alloy steel body for strength and smaller size. Forged alloy, components where required.
- Equipped with handle for easy placement.
- Individually Proof Tested to 2 times the Working Load Limit with certification.
- Company name (Crosby IP), logo, Working Load Limit and jaw opening permanently stamped on body.
- Each product is individually serialized, with the serial number and Proof Load test date stamped on body. User manual with test certificate is included with each clamp.
- Maintenance replacement parts are available.



Load Rated

**Model IPCC**

Model	Working Load Limit Per Pair (t)*	Stock No.	Weight Each (lb)	Dimensions (in)									
				Jaw A	B	C	D	E	F	G	H	J	K
IPCC	1	2700037	20.3	1.56 - 5.50	8.86	3.15	5.75	-	14.65	1.46	-	-	-

\* Design Factor based on EN 13155 and ASME B30.20.

