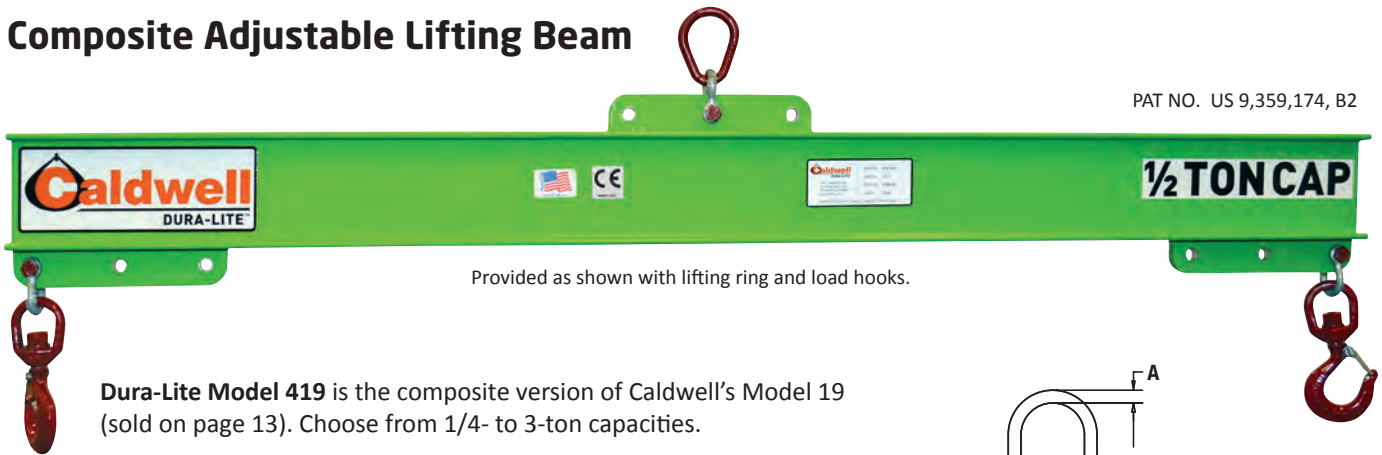


Dura-Lite™ Model 419

Composite Adjustable Lifting Beam

PAT NO. US 9,359,174, B2

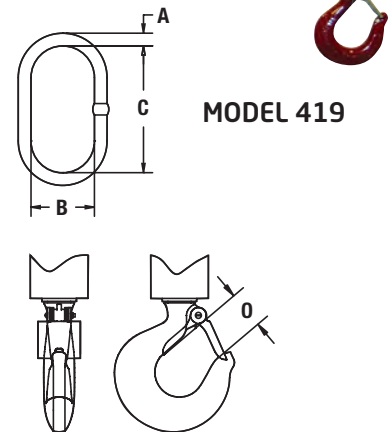


Provided as shown with lifting ring and load hooks.

Dura-Lite Model 419 is the composite version of Caldwell's Model 19 (sold on page 13). Choose from 1/4- to 3-ton capacities.

Product Features:

- Lightweight beam gives you additional load capacity while protecting riggers' backs
- Non-conductive; corrosion-resistant material won't rust
- 1/4- to 3-ton capacities
- Complies with ASME B30.20, design category B, service class 4
- Proof tested with certificate issued
- DURA-LITE™ product is compliant with European Community standards CE



| Capacity Metric Tons (Kg.) | Model Number | Spread | | Headroom | | Beam Only Weight | | Weight With Hardware | | Bail Dimension Inches (mm) | | | Hook O |
|-------------------------------------|-----------------|--------|--------|----------|--------|---------------------|------------|-------------------------|------------|-------------------------------|-------------|--------------|--------------|
| | | Inches | Meters | Inches | Meters | Inches | Kilo-grams | Pounds | Kilo-grams | A | B | C | |
| 1/4 (250) | 419-1/4-2 | 24 | 0.6 | 13.5 | 0.3 | 6 | 2.7 | 8 | 3.6 | 0.38 (9) | 1.5 (38) | 2 (51) | 0.89 (22) |
| | 419-1/4-3 | 36 | 0.9 | 13.5 | 0.3 | 8 | 3.6 | 10 | 4.5 | | | | |
| | 419-1/4-4 | 48 | 1.2 | 13.5 | 0.3 | 10 | 4.5 | 12 | 5.4 | | | | |
| | 419-1/4-6 | 72 | 1.8 | 16.5 | 0.4 | 23 | 10.4 | 25 | 11.3 | | | | |
| | 419-1/4-8 | 96 | 2.4 | 16.5 | 0.4 | 30 | 13.6 | 32 | 14.5 | | | | |
| | 419-1/4-10 | 120 | 3.0 | 18.5 | 0.5 | 69 | 22.2 | 71 | 23.1 | | | | |
| | 419-1/4-12 | 144 | 3.7 | 18.5 | 0.5 | 82 | 46.7 | 105 | 47.6 | | | | |
| 1/2 (500) | 419-1/2-2 | 24 | 0.6 | 13.9 | 0.4 | 7 | 3.2 | 9 | 4.1 | 0.38 (9) | 1.5 (38) | 1.9 (48) | 0.89 (22) |
| | 419-1/2-3 | 36 | 0.9 | 13.9 | 0.4 | 9 | 4.1 | 11 | 5.0 | | | | |
| | 419-1/2-4 | 48 | 1.2 | 14.9 | 0.4 | 12 | 5.4 | 14 | 6.4 | | | | |
| | 419-1/2-6 | 72 | 1.8 | 16.9 | 0.4 | 25 | 11.3 | 27 | 12.2 | | | | |
| | 419-1/2-8 | 96 | 2.4 | 18.9 | 0.5 | 58 | 19.1 | 60 | 20.0 | | | | |
| | 419-1/2-10 | 120 | 3.0 | 18.9 | 0.5 | 77 | 34.9 | 79 | 35.8 | | | | |
| 1 (1000) | 419-1-2 | 24 | 0.6 | 19.6 | 0.5 | 9 | 4.1 | 15 | 6.8 | 0.62 (16) | 2.8 (71) | 4.5 (114) | 0.89 (23) |
| | 419-1-3 | 36 | 0.9 | 19.6 | 0.5 | 11 | 5.0 | 17 | 7.7 | | | | |
| | 419-1-4 | 48 | 1.2 | 21.6 | 0.5 | 19 | 8.6 | 25 | 11.3 | | | | |
| | 419-1-6 | 72 | 1.8 | 23.6 | 0.6 | 46 | 15.4 | 51 | 17.7 | | | | |
| | 419-1-8 | 96 | 2.4 | 23.6 | 0.6 | 62 | 28.1 | 67 | 30.4 | | | | |
| 2 (2000) | 419-2-2 | 24 | 0.6 | 21.9 | 0.6 | 15 | 6.8 | 24 | 10.9 | 0.62 (16) | 2.8 (71) | 4.3 (110) | 0.91 (23) |
| | 419-2-3 | 36 | 0.9 | 24.1 | 0.6 | 24 | 10.9 | 33 | 15.0 | | | | |
| | 419-2-4 | 48 | 1.2 | 25.9 | 0.7 | 43 | 20.9 | 52 | 25.4 | | | | |
| | 419-2-6 | 72 | 1.8 | 25.9 | 0.7 | 55 | 27.2 | 64 | 31.3 | | | | |
| 3 (3000) | 419-3-2 | 24 | 0.6 | 24.9 | 0.6 | 21 | 9.5 | 32 | 14.5 | 0.62 (16) | 2.8 (71) | 4.3 (110) | 1 (25) |
| | 419-3-3 | 36 | 0.9 | 24.9 | 0.6 | 24 | 10.9 | 35 | 15.9 | | | | |
| | 419-3-4 | 48 | 1.2 | 26.6 | 0.7 | 43 | 20.9 | 53 | 26.3 | | | | |

As Strong As Steel?

Watch the Dura-Lite Destruction Test

We test a 640-lb. spreader beam with a 120" spread at a Yarbrough Cable facility ... just to see what happens! Can you guess?

<https://bit.ly/duralite>

