



## US Cargo Control Product Specification Sheet

**6' Piano Moving Board**

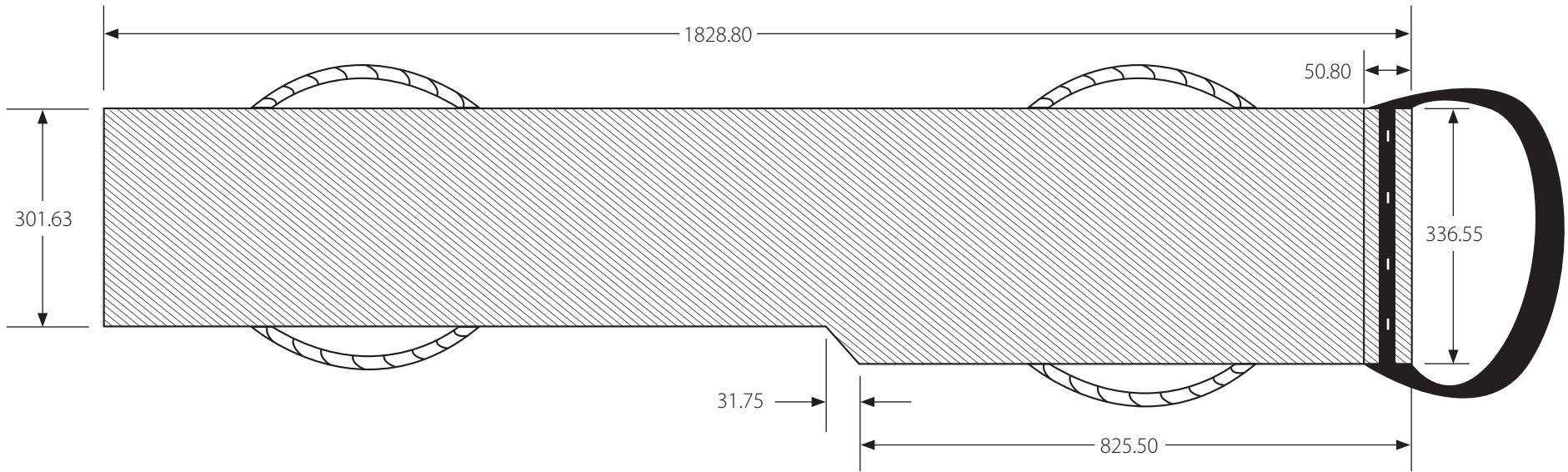
*Piano Board - 6' Universal Flare*

Part# PB1001

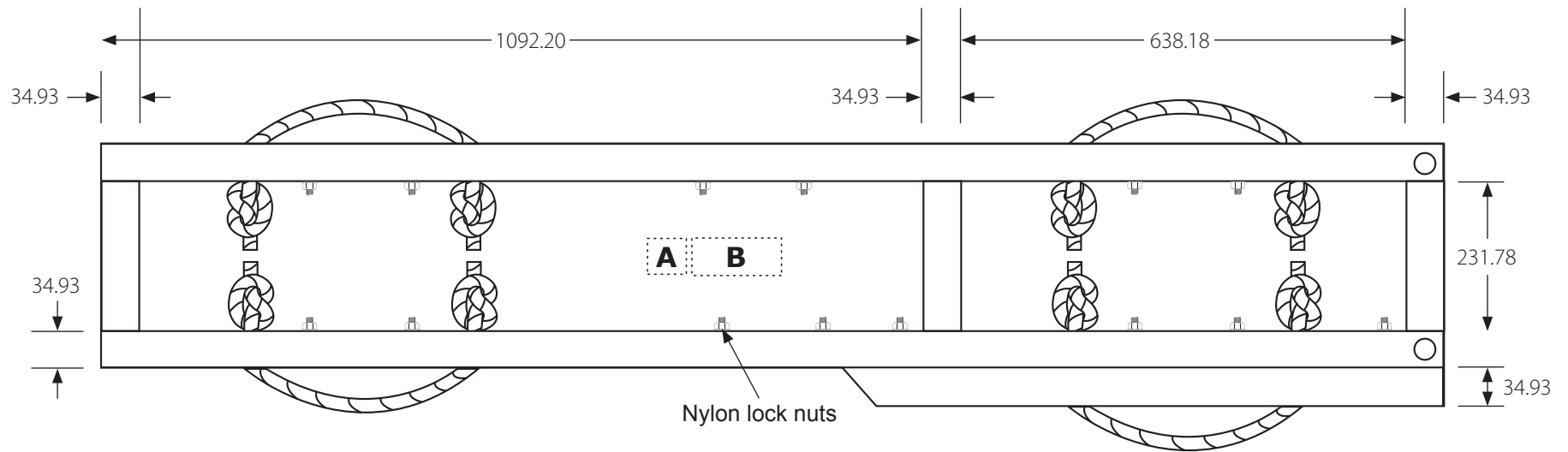


US Cargo Control Purchasing Department  
202 Blue Creek Dr, Urbana, IA 52349  
Leslie Lowdermilk  
[leslie@clickstop.com](mailto:leslie@clickstop.com)

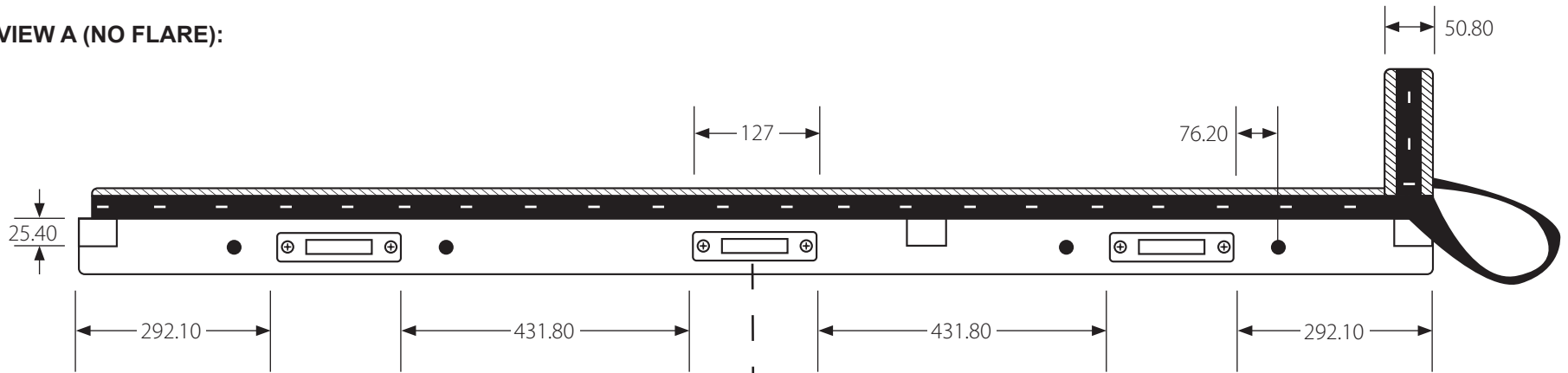
TOP VIEW:



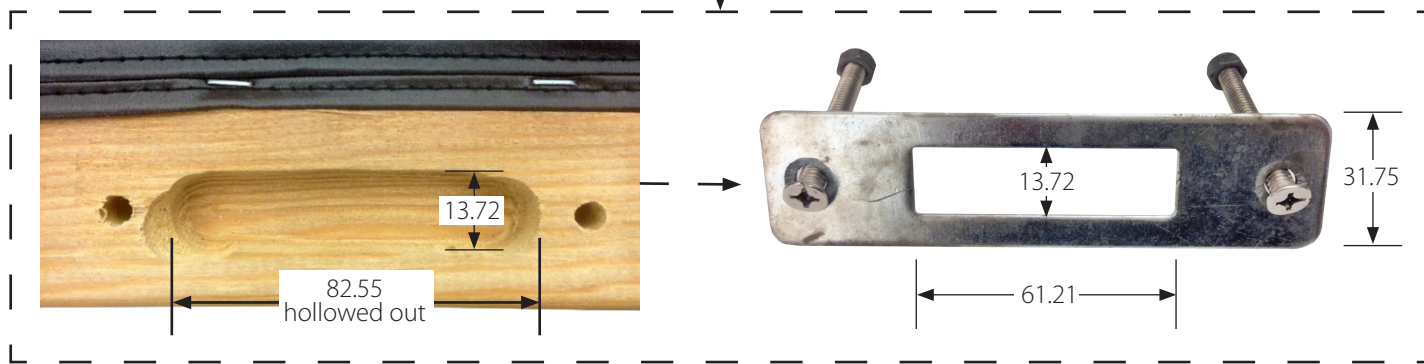
BOTTOM VIEW:



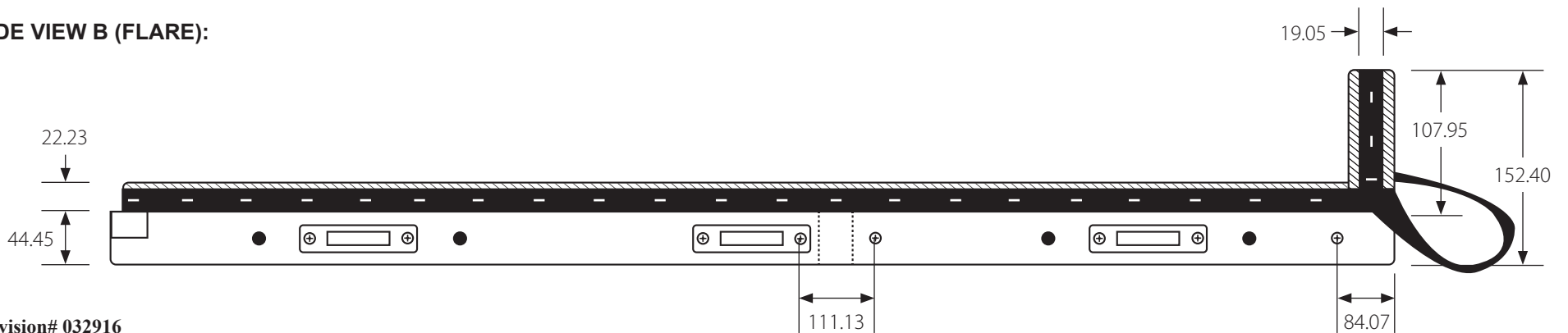
SIDE VIEW A (NO FLARE):



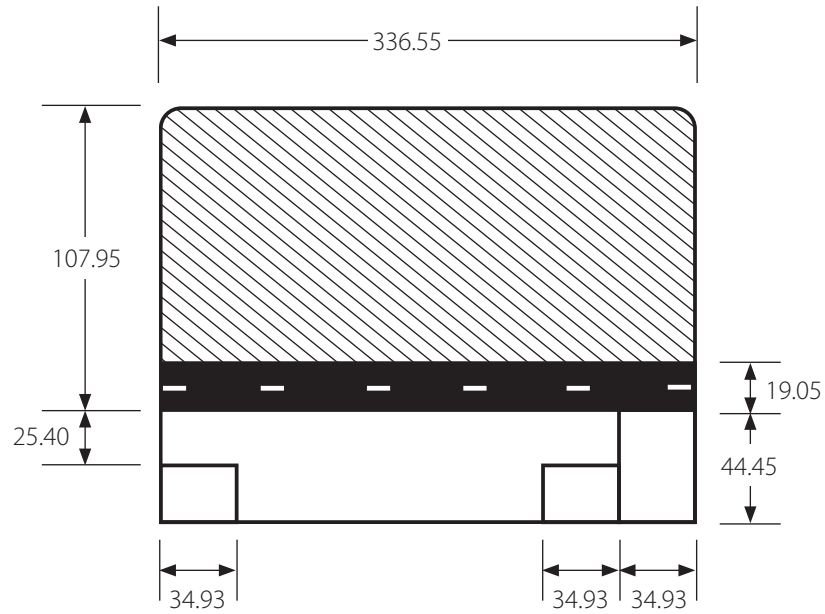
E TRACK SLOT DETAIL:



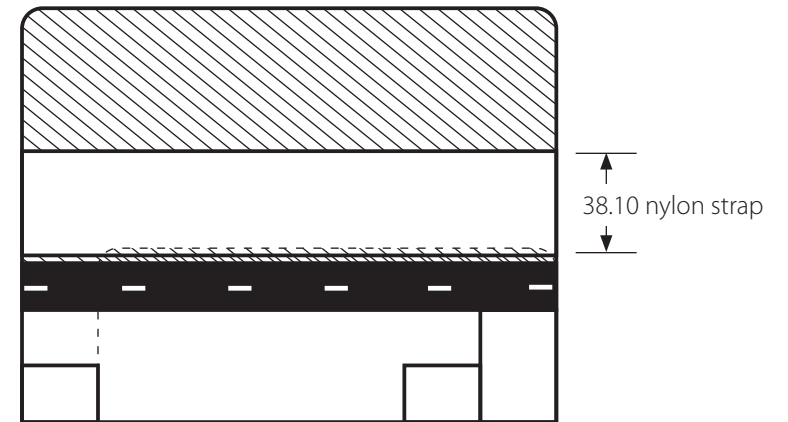
SIDE VIEW B (FLARE):



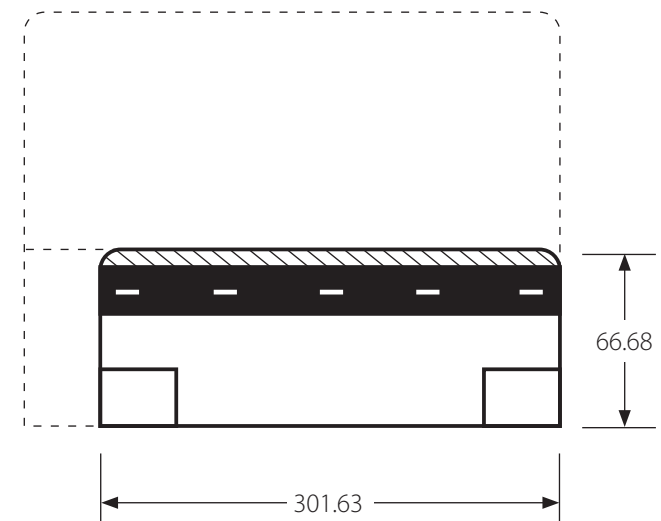
FLARED END VIEW (BACK):

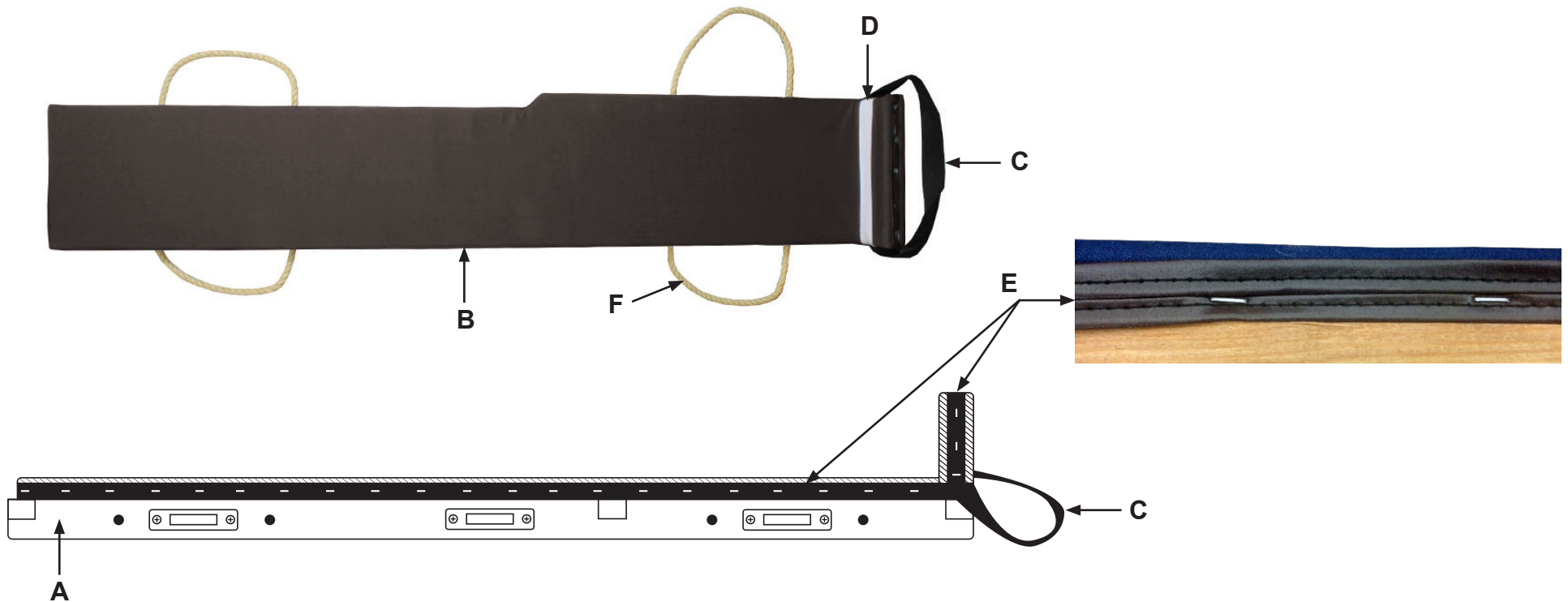



FLARED END VIEW A (FRONT):



SHORT END VIEW:





<b>Weight:</b> 32 lbs +/- 5% (30.40 - 33.60 lbs)	<b>Strap (C):</b> 50.80mm black webbing, 660.40mm long attached on ends only
<b>Size:</b> 1828.80mm long +/-2% (1792.22mm - 1865.38mm)	<b>Strap (D):</b> 138.10mm white webbing, 381mm long attached on ends only
<b>Construction (A):</b> Treated hardwood base	<b>Rope Handles (F):</b> 41092.20mm long, 12.70mm twisted manila rope
<b>Material (B)</b>  : Padded canvas top (PANTONE 18-5210 TPX)	<b>Staples:</b> Should be evenly spaced (about 76.20mm apart) and straight
<b>Binding (E):</b> 19.05mm thick black protective material stapled in place. Covers seam of the top canvas and wood construction.	<b>Shipping Instructions:</b> Bundle package with Purchase Order#, Item#, description, weight, and item quantity. Floor loaded.
<b>Stitching:</b> Black thread	