



ANSI/ASSP Z359.11



OSHA 1910.140  
OSHA 1926.502

# 3M™ DELTA™ FULL BODY HARNESS

## USER INSTRUCTIONS 5903124 REV. J

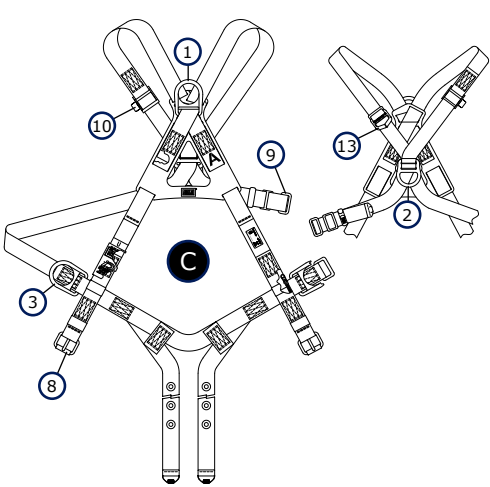
Fall Protection

For identification of product codes, refer to Table 1. See "Table 1 - Product Specifications" for more product information.

**Figure 1 - Product Overview**

Harness Style	Harness Model	ANSI	OSHA	1	2	3	4	5	6	7	8	9	10	11	12	13	14	15	16	17	18	19	20	21	
				Dorsal	Sternal	Hip	Shoulder	Rear Waist	D-ring Extension	Quick Connect	Tongue	Pass-Through	Revolver	Parachute	Trauma Straps	Lanyard Keeper	Seat Sling	SRD Loop	Gear Loop	Belt	Back and Shoulder	Hip	Leg	Shoulder	
				Attachment Elements				Buckles and Adjusters				Other Elements				Pads									
	1100373																								
	1100374	✓	✓	✓	✓	✓	✓	✓			✓	✓	✓		✓	✓				✓	✓	✓		✓	
	1100379																								
	1100380																								
	1100389																								
	1100390																								
	1100391	✓	✓	✓	✓	✓	✓				✓	✓	✓		✓	✓	✓			✓	✓	✓			
	1100392																								
	1100393																								
	1100394	✓	✓	✓	✓		✓					✓	✓	✓		✓	✓	✓			✓	✓	✓		
1100395																									
1100396																									
	1100517																								
	1100518	✓	✓	✓	✓	✓				✓											✓	✓	✓	✓	
	1100519																								
	1100523																								
	1100598		✓	✓		✓						✓	✓	✓		✓	✓								
	1100632																								
	1100633	✓	✓	✓	✓	✓						✓	✓	✓							✓	✓	✓	✓	
	1100634																								
	1100635																								
	1100636																								
	1100637	✓	✓	✓	✓					✓															
	1100638																								
	1100639	✓	✓	✓	✓						✓											✓	✓	✓	
	1100680																								
	1100681	✓	✓	✓	✓	✓				✓												✓	✓	✓	
	1100682																								
	1100683																								
	1100684	✓	✓	✓	✓	✓				✓											✓	✓	✓	✓	
	1100696																								
	1100697	✓	✓	✓	✓					✓												✓	✓		
	1100698																								
	1100699																								
	1100700																								
	1100701																								
1100702	✓	✓	✓	✓					✓		✓	✓	✓												
1100703																									

**Figure 1 - Product Overview**

Harness Style	Harness Model	ANSI	OSHA	①	②	③	④	⑤	⑥	⑦	⑧	⑨	⑩	⑪	⑫	⑬	⑭	⑮	⑯	⑰	⑱	⑲	⑳	㉑	
				Dorsal	Sternal	Hip	Shoulder	Rear Waist	D-ring Extension	Quick Connect	Tongue	Pass-Through	Revolver	Parachute	Trauma Straps	Lanyard Keeper	Seat Sling	SRD Loop	Gear Loop	Belt	Back and Shoulder	Hip	Leg	Shoulder	
				Attachment Elements				Buckles and Adjusters				Other Elements						Pads							
	A	1100707	✓	✓	✓	✓	✓					✓	✓	✓						✓	✓	✓	✓		
	C	1100723	✓	✓	✓	✓					✓														
		1100724	✓	✓	✓	✓																			
	B	1100744																							
		1100745																							
		1100746																							
		1100747	✓	✓	✓								✓	✓	✓										
		1100748																							
		1100747H 1100748H																							
	A	1100749																							
1100785																									
1100786																									
1100787																									
1100788																									
1100749H 1100785H 1100786H 1100787H 1100788H		✓	✓	✓		✓					✓					✓					✓	✓	✓	✓	
1100789		✓	✓	✓		✓					✓	✓				✓					✓	✓	✓	✓	
1100794		✓	✓	✓		✓					✓					✓						✓		✓	
B	1100795																								
	1100796																								
	1100797																								
	1100798																								
	1100795H 1100796H 1100797H 1100798H	✓	✓	✓		✓					✓	✓				✓					✓	✓	✓	✓	
	1100799	✓	✓	✓	✓							✓	✓	✓								✓		✓	
	1100821																								
	1100822																								
	1100823	✓	✓	✓		✓																			
	1100824																								
1100834																									
1100835																									
1100836	✓	✓	✓	✓							✓	✓	✓									✓	✓		
1100837																									
C	1100840																								
	1100841	✓	✓	✓	✓	✓	✓					✓	✓	✓		✓									
	1100842																								
B	1100845																								
	1100846																								
	1100847	✓	✓	✓		✓						✓	✓	✓								✓		✓	
	1100848																								
	1100873																								

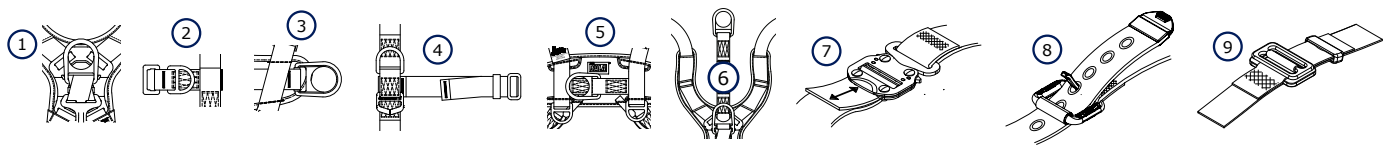
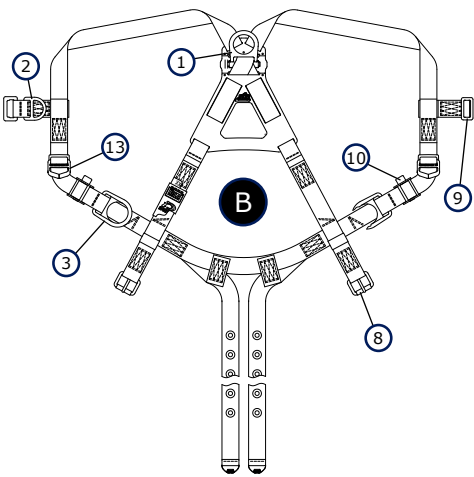
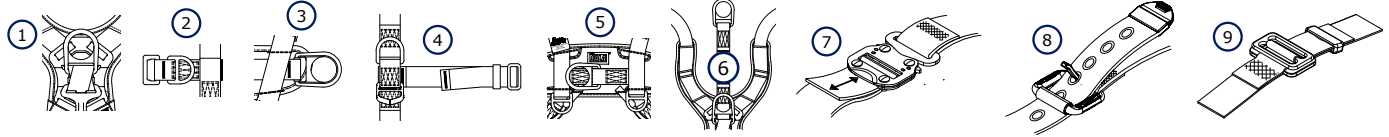


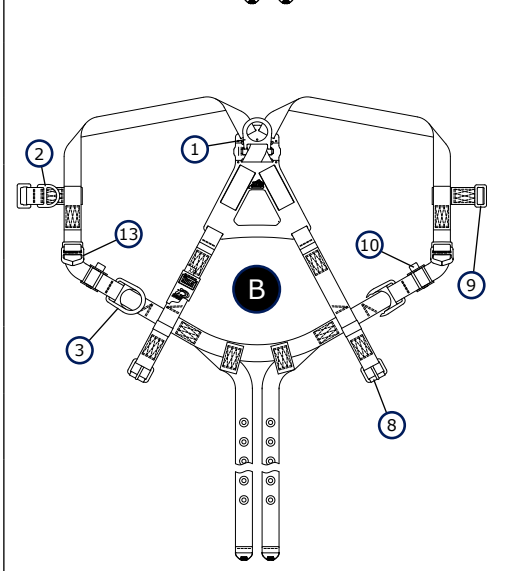
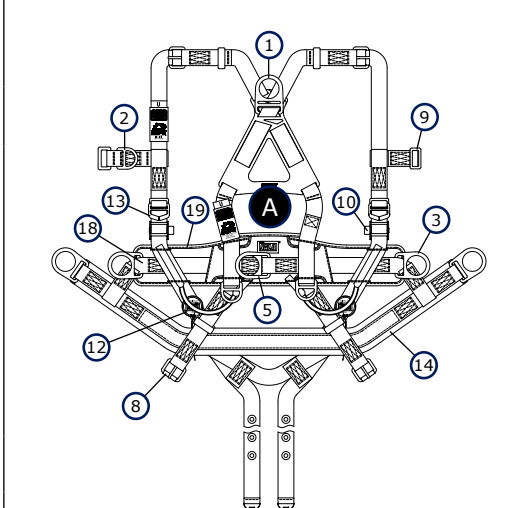
Figure 1 - Product Overview

Harness Style	ANSI	OSHA	①	②	③	④	⑤	⑥	⑦	⑧	⑨	⑩	⑪	⑫	⑬	⑭	⑮	⑯	⑰	⑱	⑲	⑳	㉑	
			Dorsal	Sternal	Hip	Shoulder	Rear Waist	D-ring Extension	Quick Connect	Tongue	Pass-Through	Revolver	Parachute	Trauma Straps	Lanyard Keeper	Seat Sling	SRD Loop	Gear Loop	Belt	Back and Shoulder	Hip	Leg	Shoulder	
			Attachment Elements			Buckles and Adjusters			Other Elements					Pads										
	1100874																							
	1100881	✓	✓	✓	✓	✓																		
	1100882										✓	✓	✓									✓	✓	
	1100883																							
	1100884																							
	1100898																							
	1100935																							
	1100936																							
	1100937																							
	1100938	✓	✓	✓					✓															
1100935H																								
1100936H																								
1100937H																								
1100938H																								
1100945																								
1100946																								
1100947	✓	✓	✓							✓	✓	✓										✓	✓	
1100948																								
1100947H																								
1100949	✓	✓	✓	✓	✓				✓													✓	✓	
1100974H	✓	✓	✓							✓	✓	✓		✓	✓								✓	
1100975																								
1100976	✓	✓	✓						✓													✓	✓	
1100977																								
1100978																								
1100987	✓	✓	✓		✓				✓	✓	✓										✓	✓	✓	
1100988																								
1101048	✓	✓	✓							✓	✓	✓										✓	✓	
1101049																								
1101174	✓	✓	✓	✓		✓	✓		✓	✓	✓		✓	✓	✓		✓	✓			✓			
1101199H	✓	✓	✓							✓	✓	✓		✓	✓								✓	
1101251																								
1101252																								
1101253																								
1101256																								
1101258																								
1101261	✓	✓	✓							✓	✓	✓		✓	✓									
1101266																								
1101271																								
1101623																								
1101251H																								
1101252H																								
1101253H																								
1101254																								
1101255																								
1101257	✓	✓	✓							✓	✓	✓		✓	✓									
1101267																								
1101268																								
1101254H																								

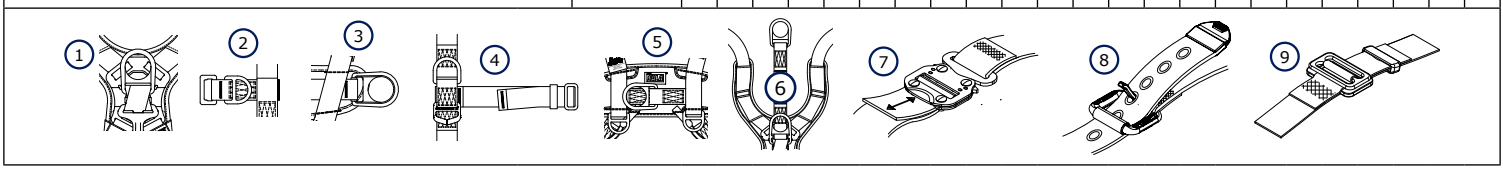


**Figure 1 - Product Overview**

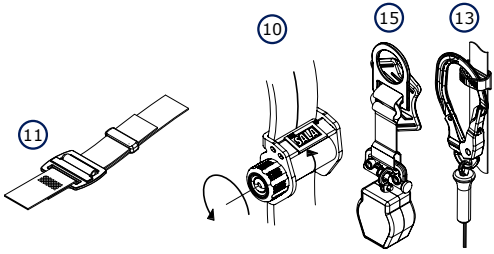
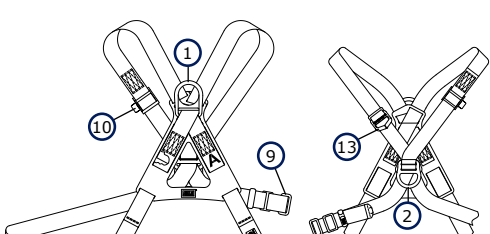
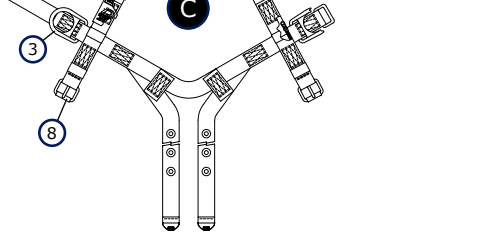
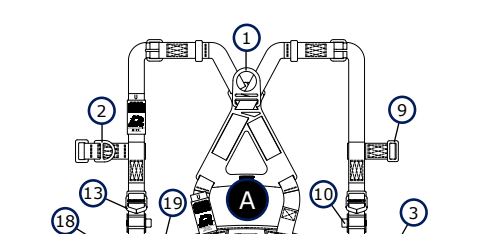
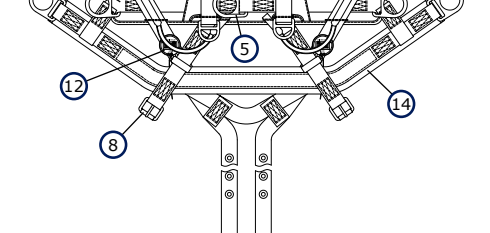
Harness Style	Harness Model	ANSI	OSHA	①	②	③	④	⑤	⑥	⑦	⑧	⑨	⑩	⑪	⑫	⑬	⑭	⑮	⑯	⑰	⑱	⑲	⑳	㉑
				Dorsal	Sternal	Hip	Shoulder	Rear Waist	D-ring Extension	Quick Connect	Tongue	Pass-Through	Revolver	Parachute	Trauma Straps	Lanyard Keeper	Seat Sling	SRD Loop	Gear Loop	Belt	Back and Shoulder	Hip	Leg	Shoulder
				Attachment Elements			Buckles and Adjusters				Other Elements					Pads								

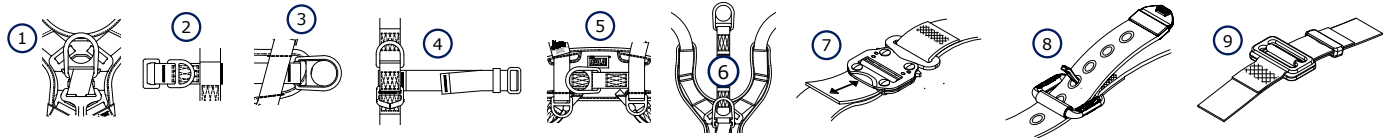


A	1101637 1101639	✓	✓	✓								✓	✓	✓	✓										
	1101653	✓	✓	✓	✓						✓	✓	✓	✓	✓					✓	✓				
	1101654 1101655 1101656 1101654H 1101655H	✓	✓	✓	✓						✓	✓	✓	✓	✓					✓	✓			✓	
	1101659	✓	✓	✓	✓						✓	✓	✓	✓	✓					✓	✓				
	1101660	✓	✓	✓	✓						✓	✓	✓	✓	✓					✓	✓			✓	
	1101661	✓	✓	✓	✓						✓	✓	✓	✓	✓					✓	✓				
	1101662	✓	✓	✓	✓						✓	✓	✓	✓	✓					✓	✓			✓	
B	1101761	✓	✓	✓							✓	✓	✓	✓	✓										
	1101776	✓	✓	✓							✓	✓	✓	✓	✓										
	1101781	✓	✓	✓	✓						✓	✓	✓	✓	✓										
	1101784 1101785 1101786 1101787	✓	✓	✓							✓	✓	✓	✓	✓										
	1101791	✓	✓	✓					✓		✓	✓	✓	✓	✓										
	1101794	✓	✓	✓	✓						✓	✓	✓	✓	✓										
	1101796	✓	✓	✓					✓		✓	✓	✓	✓	✓										
C	1101800 1101801 1101802 1101803 1101805 1101808 1101809 1101810 1101811 1101812 1101814 1101818 1101819	✓	✓	✓	✓	✓				✓		✓	✓	✓	✓					✓	✓				
	1101826 1101827	✓	✓									✓	✓	✓	✓										
	1101828 1101829	✓	✓		✓							✓	✓	✓	✓										



**Figure 1 - Product Overview**

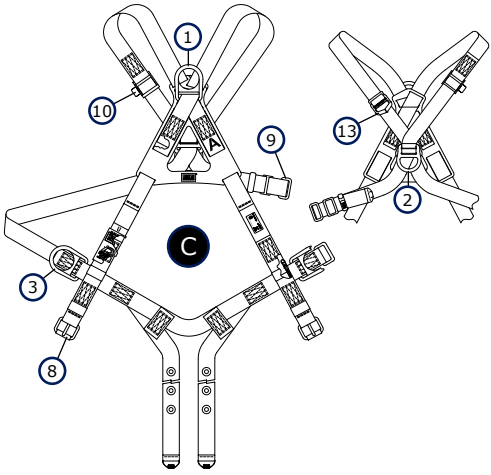
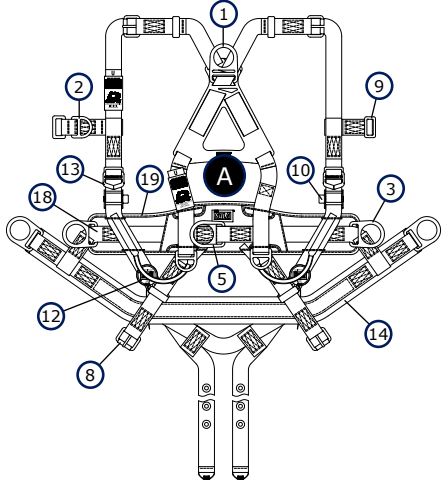
		Harness Style	ANSI	OSHA	①	②	③	④	⑤	⑥	⑦	⑧	⑨	⑩	⑪	⑫	⑬	⑭	⑮	⑯	⑰	⑱	⑲	⑲	⑲		
					Dorsal	Sternal	Hip	Shoulder	Rear Waist	D-ring Extension	Quick Connect	Tongue	Pass-Through	Revolver	Parachute	Trauma Straps	Lanyard Keeper	Seat Sling	SRD Loop	Gear Loop	Belt	Back and Shoulder	Hip	Leg	Shoulder		
		Harness Model			Attachment Elements			Buckles and Adjusters			Other Elements					Pads											
	B	1101830 1101838 1101842 1101843 1101844	✓	✓								✓	✓	✓	✓	✓											
		C	1101854 1101855 1101856 1101857 1101860 1101871	✓	✓	✓	✓						✓	✓		✓	✓										
			B	1102000 1102000H	✓	✓	✓						✓	✓	✓		✓	✓									
			B	1102001	✓	✓								✓	✓	✓	✓	✓	✓								
			B	1102008	✓	✓	✓	✓						✓	✓	✓		✓	✓								
C		1102010	✓	✓	✓	✓						✓	✓		✓	✓											
		B	1102020 1102021 1102022	✓	✓	✓	✓			✓			✓	✓		✓	✓										
	1102090 1102091 1102092 1102093		✓	✓	✓	✓				✓			✓	✓		✓	✓										
	1102195H 1102196H 1102197H		✓	✓	✓								✓	✓	✓		✓	✓									
	1102200 1102201 1102205 1102206		✓	✓	✓	✓	✓						✓	✓	✓		✓	✓			✓	✓	✓				
	B	1102221H	✓	✓	✓	✓							✓	✓	✓		✓	✓									
		1102243 1102244	✓	✓	✓								✓	✓	✓		✓										
		1102249	✓	✓	✓								✓	✓	✓		✓	✓									
1102258		✓	✓	✓								✓	✓	✓		✓	✓						✓				
1102259 1102260		✓	✓	✓								✓	✓	✓		✓											
1102516 1102517		✓	✓	✓	✓	✓						✓	✓	✓		✓	✓							✓			

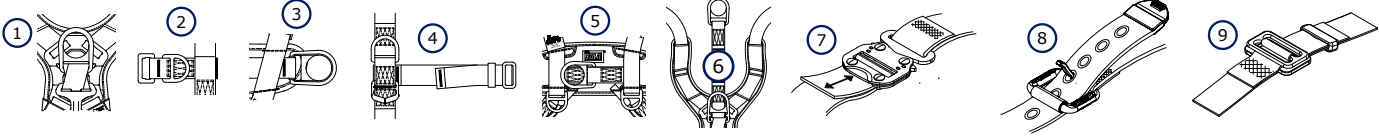






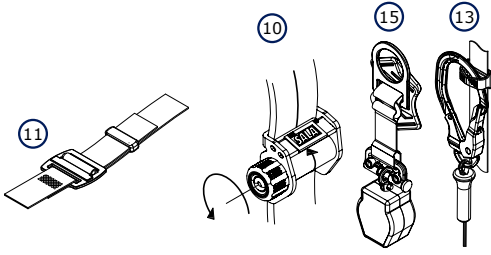
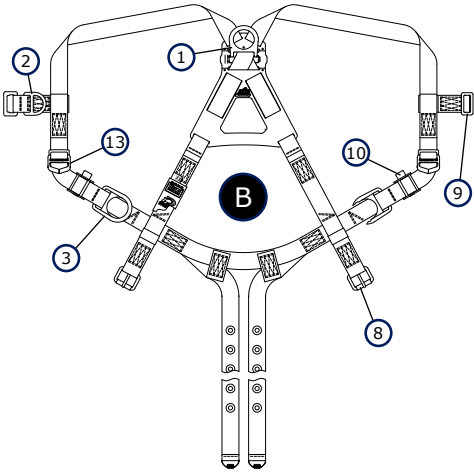
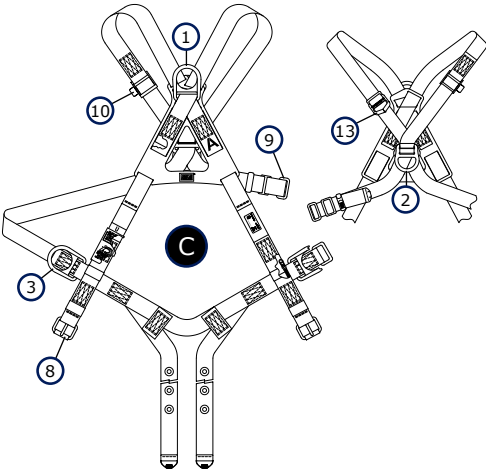
**Figure 1 - Product Overview**

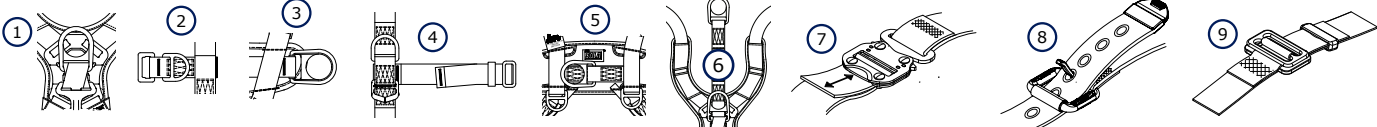
Harness Style	Harness Model	ANSI	OSHA	①	②	③	④	⑤	⑥	⑦	⑧	⑨	⑩	⑪	⑫	⑬	⑭	⑮	⑯	⑰	⑱	⑲	⑳	㉑		
				Dorsal	Sternal	Hip	Shoulder	Rear Waist	D-ring Extension	Quick Connect	Tongue	Pass-Through	Revolver	Parachute	Trauma Straps	Lanyard Keeper	Seat Sling	SRD Loop	Gear Loop	Belt	Back and Shoulder	Hip	Leg	Shoulder		
				Attachment Elements				Buckles and Adjusters				Other Elements						Pads								
	A	1107808 1107809	✓	✓	✓	✓					✓	✓	✓		✓	✓				✓		✓				
	B	1107810 1107811 1107812 1107813 1107811H 1107812H 1107813H		✓	✓	✓							✓	✓	✓		✓	✓								
		A	1107814	✓	✓	✓	✓					✓	✓	✓		✓	✓				✓		✓			
		B	1107815 1107817 1107818	✓	✓	✓							✓	✓	✓		✓	✓								
			1107819	✓	✓	✓	✓						✓	✓	✓		✓	✓								
			C	1107850	✓	✓						✓	✓		✓	✓										
			A	1107860 1107861 1107862	✓	✓	✓	✓					✓	✓	✓		✓	✓				✓		✓		
	B		1107863 1107864	✓	✓	✓	✓						✓	✓	✓		✓	✓								
			1107865 1107866 1107867 1107868 1107869	✓	✓	✓	✓						✓	✓	✓		✓	✓								
			C	1108025	✓	✓	✓	✓	✓				✓		✓	✓		✓	✓				✓		✓	
A			1108125 1108126 1108127 1108128 1108129 1108130 1108131 1108132 1108133 1108134	✓	✓	✓	✓	✓		✓			✓	✓	✓		✓	✓	✓			✓	✓		✓	
			B	1108175 1108176 1108177 1108178 1108180 1108181	✓	✓	✓	✓	✓					✓	✓	✓		✓	✓							
	1108182 1108183 1108184 1108185			✓	✓	✓	✓	✓	✓				✓	✓	✓		✓	✓								



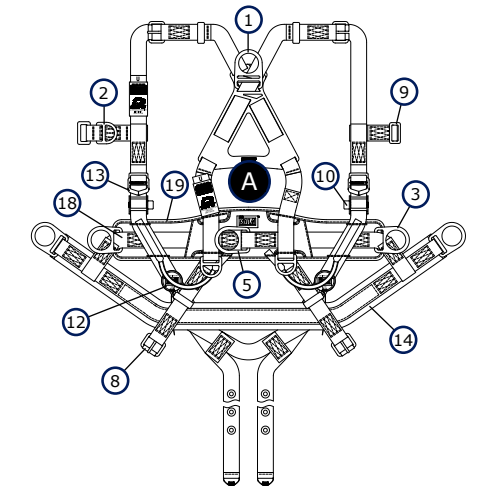
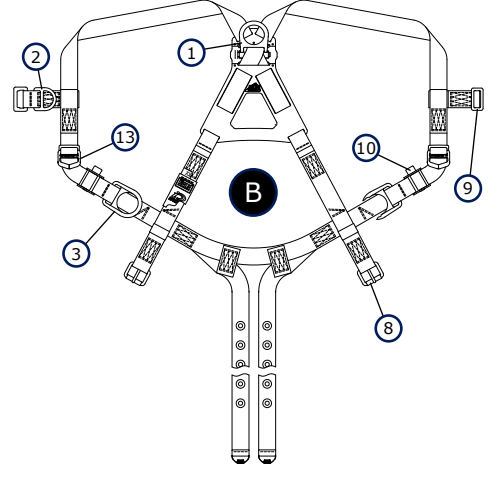


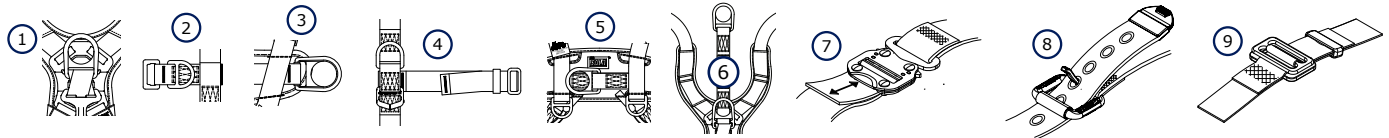
**Figure 1 - Product Overview**

		Harness Style	ANSI	OSHA	①	②	③	④	⑤	⑥	⑦	⑧	⑨	⑩	⑪	⑫	⑬	⑭	⑮	⑯	⑰	⑱	⑲	⑳	㉑		
					Dorsal	Sternal	Hip	Shoulder	Rear Waist	D-ring Extension	Quick Connect	Tongue	Pass-Through	Revolver	Parachute	Trauma Straps	Lanyard Keeper	Seat Sling	SRD Loop	Gear Loop	Belt	Back and Shoulder	Hip	Leg	Shoulder		
		Harness Model			Attachment Elements			Buckles and Adjusters				Other Elements				Pads											
	B	1108190	✓	✓	✓	✓	✓					✓	✓	✓		✓	✓				✓						
		1108192	✓	✓	✓	✓	✓	✓					✓	✓	✓												
	C	1109052	✓	✓	✓	✓	✓							✓	✓					✓							
		1109107	✓	✓	✓			✓						✓	✓		✓	✓									
	B	1109454	✓	✓	✓								✓	✓	✓		✓	✓		✓							
		1110575 1110576 1110577 1110578 1110582 1110586 1110587 1110588 1110589 1110591	✓	✓	✓		✓					✓					✓	✓				✓		✓		✓	
		B	1110600 1110601	✓	✓	✓						✓				✓	✓										
			1110602	✓	✓	✓		✓					✓				✓	✓									
		B	1110603 1110605 1110606	✓	✓	✓							✓				✓	✓									
			1110608	✓	✓	✓		✓					✓				✓	✓									
B		1110618	✓	✓	✓							✓				✓	✓										
		1110625 1110626 1110627 1110628	✓	✓	✓		✓					✓				✓	✓										
B		1110629 1110630 1110631 1110632 1110633	✓	✓	✓							✓				✓	✓									✓	
		1110700 1110701 1110702 1110704	✓	✓	✓	✓						✓				✓	✓										
C		1110725 1110726 1110727	✓	✓	✓	✓	✓					✓				✓	✓										



**Figure 1 - Product Overview**

Harness Style	ANSI	OSHA																					
			Attachment Elements					Buckles and Adjusters				Other Elements						Pads					
			1	2	3	4	5	6	7	8	9	10	11	12	13	14	15	16	17	18	19	20	21
	1111000 1111001 1111002 1111003 1111004	✓	✓	✓	✓	✓				✓			✓	✓				✓	✓		✓	✓	
	1111100 1111101 1111102 1111103 1111104 1111102H	✓	✓	✓			✓		✓	✓	✓	✓	✓										
	1112050	✓	✓	✓	✓				✓	✓	✓	✓	✓					✓	✓				
	1112052	✓	✓	✓					✓	✓		✓	✓										
	1112082	✓	✓	✓		✓					✓	✓	✓	✓									
	1112125 1112126 1112127 1112128		✓	✓	✓							✓	✓	✓	✓								
	1112156 1112152H 1112155H 1112156H	✓	✓	✓		✓	✓		✓	✓	✓	✓	✓	✓									
	1112171	✓	✓	✓					✓	✓	✓		✓										
	1112173 1112175 1112177 1112178	✓	✓	✓		✓	✓			✓	✓	✓	✓	✓				✓	✓		✓	✓	
	1112228	✓	✓	✓	✓				✓		✓	✓	✓	✓									
	1112375 1112376 1112377	✓	✓	✓	✓				✓		✓		✓	✓									
1112401 1112402	✓	✓	✓	✓	✓			✓		✓		✓	✓										
1112650 1112651 1112653 1112654	✓	✓	✓	✓	✓	✓	✓		✓	✓	✓		✓					✓	✓	✓	✓		
1112692 1112693 1112694 1112695 1112696	✓	✓	✓	✓	✓		✓	✓	✓	✓	✓		✓	✓			✓	✓	✓	✓	✓		



# SAFETY INFORMATION

Please read, understand, and follow all safety information contained in these instructions, prior to the use of this product. FAILURE TO DO SO COULD RESULT IN SERIOUS INJURY OR DEATH.

These instructions must be provided to the user of the equipment. Retain these instructions for future reference.

## Intended Use:

This product is used as part of a complete Fall Protection system.

Use in any other application including, but not limited to, material handling, recreational or sports-related activities, or other activities not described in these instructions, is not approved by 3M and could result in serious injury or death.

This product is only to be used by trained users in workplace applications.



## WARNING

This product is used as part of a complete Fall Protection system. All users must be fully trained in the safe installation and operation of their complete Fall Protection system. **Misuse of this product could result in serious injury or death.** For proper selection, operation, installation, maintenance, and service, refer to all instruction manuals and manufacturer recommendations. For more information, see your supervisor or contact 3M Technical Services.

- **To reduce the risks associated with using a Full Body Harness which, if not avoided, could result in serious injury or death:**
  - Inspect the product before each use and after any fall event, in accordance with the procedures specified in these instructions.
  - If inspection reveals an unsafe or defective condition, remove the product from service immediately and clearly tag it "DO NOT USE". Destroy or repair the product as required by these instructions.
  - Any product that has been subject to fall arrest or impact force must be immediately removed from service. Destroy or repair the product as required by these instructions.
  - Ensure that Fall Protection systems assembled from components made by different manufacturers are compatible and meet all applicable Fall Protection regulations, standards, or requirements. Always consult a Competent or Qualified Person before using these systems.
  - Ensure the lifeline is kept free from all hazards including, but not limited to: entanglement with users, other workers, moving machinery, other surrounding objects, or impact from overhead objects that could fall onto the lifeline or users.
  - Do not twist, tie, knot, or allow slack in the lifeline.
  - Do not twist, tie, or knot the product.
  - Do not exceed the number of allowable users specified in these instructions.
  - Ensure the harness is appropriately sized, adjusted, donned, and worn as described in these instructions.
  - Ensure the product is configured and installed properly for safe operation as described in these instructions.
  - Use caution when installing, using, or moving the product as moving parts may create pinch points.
  
- **To reduce the risks associated with working at height which, if not avoided, could result in serious injury or death:**
  - Your health and physical condition must allow you to safely work at height and to withstand all forces associated with a fall arrest event. Consult your doctor if you have questions regarding your ability to use this equipment.
  - Never exceed allowable capacity of your Fall Protection equipment.
  - Never exceed the maximum free fall distance specified for your Fall Protection equipment.
  - Do not use any Fall Protection equipment that fails inspection, or if you have concerns about the use or suitability of the equipment. Contact 3M Technical Services with any questions.
  - Some subsystem and component combinations may interfere with the operation of this equipment. Only use compatible connections. Contact 3M Technical Services before using this equipment in combination with components or subsystems other than those described in these instructions.
  - Use extra precautions when working around moving machinery, electrical hazards, extreme temperatures, chemical hazards, explosive or toxic gases, sharp edges, abrasive surfaces, or below overhead materials that could fall onto you or your Fall Protection equipment.
  - Ensure use of your product is rated for the hazards present in your work environment.
  - Ensure there is sufficient fall clearance when working at height.
  - Never modify or alter your Fall Protection equipment. Only 3M, or persons authorized in writing by 3M, may make repairs to 3M equipment.
  - Before using Fall Protection equipment, ensure a written rescue plan is in place to provide prompt rescue if a fall incident occurs.
  - If a fall incident occurs, immediately seek medical attention for the fallen worker.
  - Only use a full body harness for Fall Arrest applications. Do not use a body belt.
  - Minimize swing falls by working as directly below the anchorage point as possible.
  - A secondary Fall Protection system must be used when training with this product. Trainees must not be exposed to an unintended fall hazard.
  - Always wear appropriate Personal Protective Equipment when installing, using, or inspecting the product.
  - Never work below a suspended load or worker.
  - Always maintain 100% tie-off.

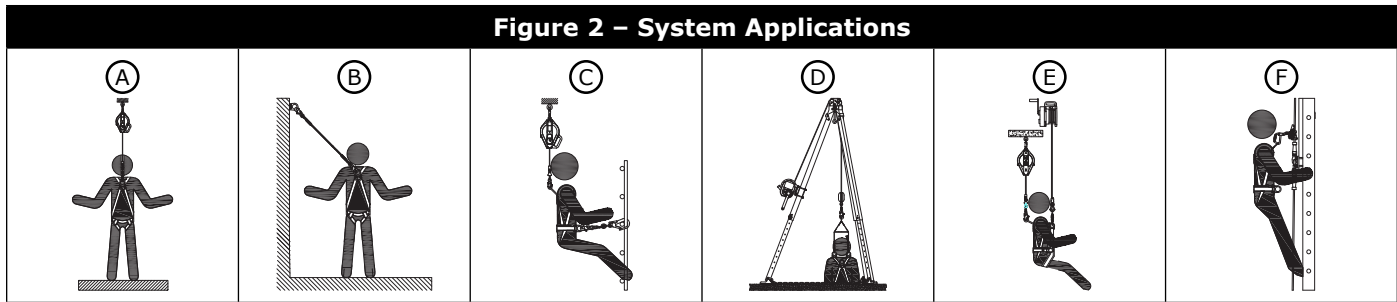
☑ Always ensure you are using the latest revision of your 3M instruction manual. Visit [www.3m.com/userinstructions](http://www.3m.com/userinstructions) or contact 3M Technical Services for updated instruction manuals.

**PRODUCT OVERVIEW:**

Figure 1 illustrates available 3M™ Delta™ Full Body Harness models. Harness models are defined by their general construction and available features. Within Figure 1, "Harness Style" illustrates general construction and "Harness Model" sorts models first numerically, then by available features.

Harnesses are available with various combinations of the components listed within Table 1. "Attachment Elements" serve as connection points for securing a connecting subsystem. "Buckles and Adjusters" enable the harness to be secured and adjusted for proper fit. "Other Elements" includes miscellaneous features that serve a variety of purposes. "Pads" help ensure that the harness is comfortable.

See Table 1 for more information on Component Specifications.



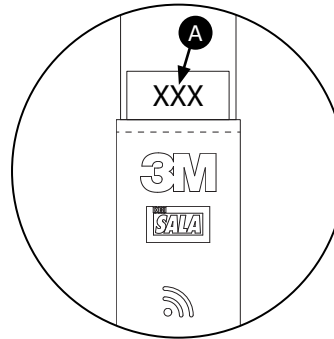
**System Applications**

Full body harnesses may be used for a variety of system applications. Figure 2 illustrates the applications available to harnesses covered by these instructions. The availability of a specific application is determined by the attachment elements present on your harness, as outlined below. If your harness has one of the attachment elements specified for an application, then it may use that element for that application.

	Application Type	Attachment Elements
(A)	Fall Arrest	Dorsal, Sternal, Frontal
(B)	Restraint	Dorsal, Sternal, Frontal, Hip, Rear Waist
(C)	Work Positioning	Frontal, Hip
(D)	Rescue	Dorsal, Sternal, Frontal, Shoulder
(E)	Controlled Descent	Dorsal, Sternal, Frontal
(F)	Climbing	Dorsal, Sternal

**Available Harness Sizes**

Figure 1 organizes harness models into groups based on features. All harness models within the same group will include the same features but will vary in sizing options. To determine the size of your harness, refer to its product labels. An example label (A) is shown below. Size codes are identified in the "Product Size Codes" legend.



Product Size Codes	
<b>XS</b>	Extra Small
<b>S</b>	Small
<b>M</b>	Medium
<b>L</b>	Large
<b>XL</b>	Extra Large
<b>2XL</b>	Extra Large (x2)
<b>3XL</b>	Extra Large (x3)

**Harness Capacity**

The user of this full body harness must have a combined weight (including clothing, tools, etc.) meeting the requirements set by the applicable standard or regulation. Always ensure the full body harness is adjusted to fit the user properly.

<b>ANSI</b>	130 lb. to 310 lb. (59 kg to 140 kg)
<b>OSHA</b>	Up to 420 lb. (190 kg)

Before using this equipment, record the product identification information from the ID label in the "Inspection and Maintenance Log" at the back of this manual.

**Table 1 - Product Specifications**

<b>System Specifications</b>	
<b>Standards:</b>	Each product model is certified to, or conforms with, the applicable standards and regulations listed within Figure 1. If none are specified, then all standards and regulations listed on the cover apply.
<b>D-ring Extension Length:</b>	1.5 ft. (45.7 cm)

<b>Component Specifications</b>			
<b>Figure 1 Category</b>	<b>Figure 1 Reference</b>	<b>Description</b>	<b>Materials</b>
Attachment Elements	①	Dorsal D-ring	Aluminum alloy - 22.2 kN (5,000 lbf) Tensile Strength
	②	Sternal D-ring	Aluminum alloy - 22.2 kN (5,000 lbf) Tensile Strength
	③	Hip D-rings	Aluminum alloy - 22.2 kN (5,000 lbf) Tensile Strength
	④	Shoulder D-rings	Aluminum alloy - 22.2 kN (5,000 lbf) Tensile Strength
	⑤	Rear Waist D-ring	Aluminum alloy - 22.2 kN (5,000 lbf) Tensile Strength
	⑥	D-ring Extension (Dorsal)	Aluminum alloy - 22.2 kN (5,000 lbf) Tensile Strength
Buckles and Adjusters	⑦	Quick Connect Buckles	Aluminum alloy, stainless steel, and alloy steel - 18 kN (4,000 lbf) Tensile Strength
	⑧	Tongue Buckles	Steel and alloy steel - 18 kN (4,000 lbf) Tensile Strength
	⑨	Pass-Through Buckles	Alloy steel - 18 kN (4,000 lbf) Tensile Strength
	⑩	Revolver Adjusters	Aluminum alloy, stainless steel, alloy steel, and nylon - 18 kN (4,000 lbf) Tensile Strength
	⑪	Parachute Adjusters	Alloy steel - 18 kN (4,000 lbf) Tensile Strength
Other Elements	⑫	Suspension Trauma Straps	Polyester webbing
	⑬	Lanyard Keeper	Molded nylon
	⑭	Seat Sling	Polyester webbing
	⑮	SRD Loop	Polyester webbing
	⑯	Gear Loop	Polyester webbing
	⑰	Belt	Polyester webbing
Pads	⑱	Back and Shoulder Pad	Blend of nylon and polyester
	⑲	Hip Pad	Blend of nylon and polyester
	⑳	Leg Pads	Blend of nylon and polyester
	㉑	Shoulder Pads	Blend of nylon and polyester

**Additional Materials**

<b>Description</b>	<b>Materials</b>
Webbing	Polyester - 27 kN (6,000 lbf) Tensile Strength Nylon - 31 kN (7,000 lbf) Tensile Strength Nomex-covered Kevlar - 31 kN (7,000 lbf) Tensile Strength
Stitching	Polyester thread on polyester webbing Nylon thread on nylon webbing Kevlar thread on Kevlar webbing
Label Covers	Blend of nylon and polyester; Nomex-covered Kevlar

<b>Performance Specifications</b>	
<b>Maximum Free Fall Distance:</b>	See the instruction manual of your connecting subsystem for more information on Maximum Free Fall Distance requirements.
<b>Maximum Arresting Force:</b>	See the instruction manual of your connecting subsystem for more information on Maximum Arresting Force requirements.
<b>Maximum Harness Stretch:</b>	1.5 ft. (45.7 cm)

## 1.0 PRODUCT APPLICATION

- 1.1 PURPOSE:** Full body harnesses provide users with the means to connect to Fall Protection systems. The attachment elements of the full body harness serve as connection points for the connecting subsystem, which secures the user to an anchorage point. Full body harnesses may be used for a variety of Fall Protection systems. System application is determined by the make of your full body harness and the attachment elements present on your harness. See the "Product Overview" and Figure 2 for a full list of Fall Protection applications available for your full body harness model.
- 1.2 STANDARDS:** Your product conforms to the national or regional standards identified on the front cover of these instructions. If this product is resold outside the original country of destination, the re-seller must provide these instructions in the language of the country in which the product will be used.

For more information on certification or conformance requirements, refer to the applicable standards and regulations listed for your product (e.g. the ANSI/ASSP Z359 Fall Protection codes).

- 1.3 TRAINING:** This equipment must be installed and used by persons trained in its correct application. These instructions are to be used as part of an employee training program as required by national, regional, or local standards. It is the responsibility of the users and installers of this equipment to ensure they are familiar with these instructions, trained in the correct care and use of this equipment, and are aware of the operating characteristics, application limitations, and consequences of improper use of this equipment.
- 1.4 RESCUE PLAN:** When using this equipment and connecting subsystems, the employer must have a written rescue plan and the means to implement and communicate that plan to users, authorized persons, and rescuers. A trained, on-site rescue team is recommended. Team members should be provided with the equipment and techniques necessary to perform a successful rescue. Training should be provided on a periodic basis to ensure rescuer proficiency. Rescuers should be provided with these instructions. There should be visual contact or means of communication with the person being rescued at all times during the rescue process.

## 2.0 SYSTEM REQUIREMENTS

- 2.1 CAPACITY:** The user capacity of a complete Fall Protection system is limited by its lowest-rated maximum capacity component. For example, if your connecting subsystem has a capacity that is less than your harness, you must comply with the capacity requirements of your connecting subsystem. See the manufacturer instructions for each component of your system for capacity requirements.
- 2.2 CONNECTING SUBSYSTEMS:** Connecting subsystems (self-retracting devices, energy-absorbing lanyards, lifeline subsystems, etc.) must be suitable for your application. Refer to the subsystem manufacturer instructions for additional information.
- 2.3 ENVIRONMENTAL HAZARDS:** Use of this equipment in areas with environmental hazards may require additional precautions to prevent injury to the user or damage to the equipment. Hazards may include, but are not limited to: high heat, chemicals, corrosive environments, high voltage power lines, explosive or toxic gases, moving machinery, sharp edges, or overhead materials that may fall and contact the user or equipment. Contact 3M Technical Services for further clarification.
- 2.4 EXTENDED SUSPENSION:** A full body harness should not be used in extended suspension applications. Extended suspension can cause suspension trauma. If the user is going to be suspended for an extended length of time, it is recommended that some form of seat support be used. 3M recommends a seat board, suspension work seat, seat sling, or a boatswain chair. Contact 3M Technical Services for more information.
- 2.5 COMPONENT COMPATIBILITY:** 3M equipment is designed for use with 3M equipment. Use with non-3M equipment must be approved by a Competent Person. Substitutions made with non-approved equipment may jeopardize equipment compatibility and may affect the safety and reliability of your Fall Protection system. Read and follow all instructions and warnings for all equipment prior to use.
- 2.6 CONNECTOR COMPATIBILITY:** Connectors are compatible with connecting elements when the size and shape of either component does not cause the connector to inadvertently open, regardless of orientation. Connectors must comply with applicable standards. Connectors must be fully closed and locked during use.

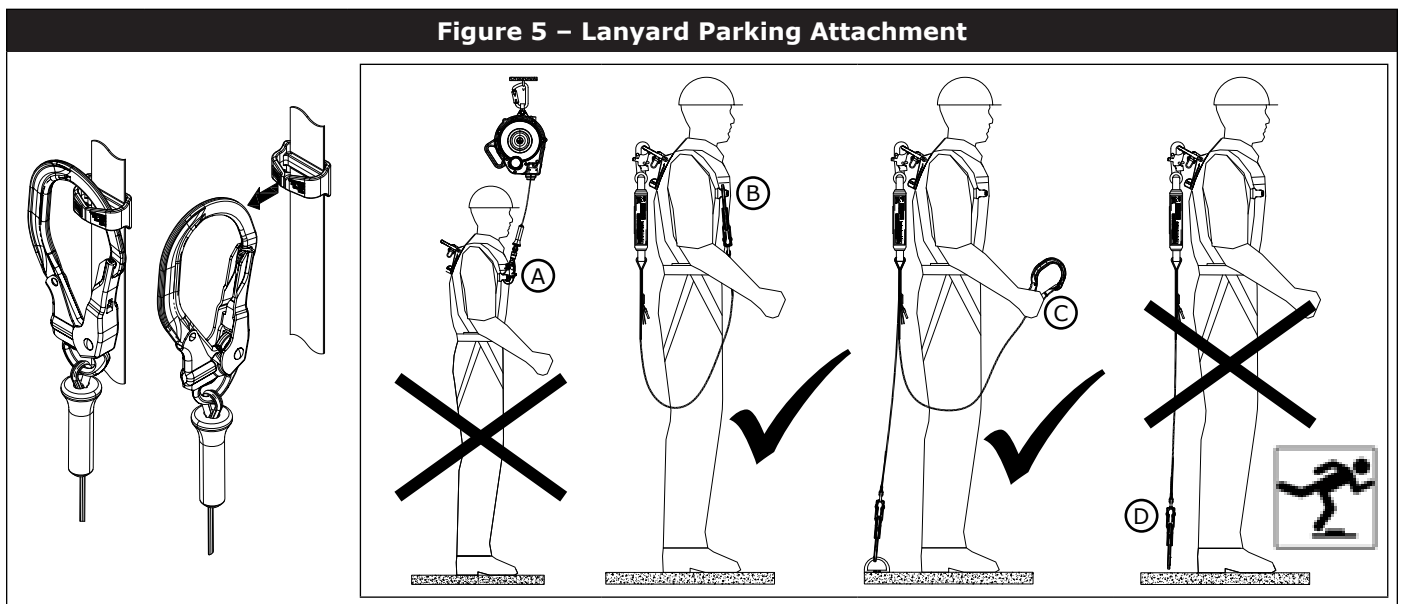
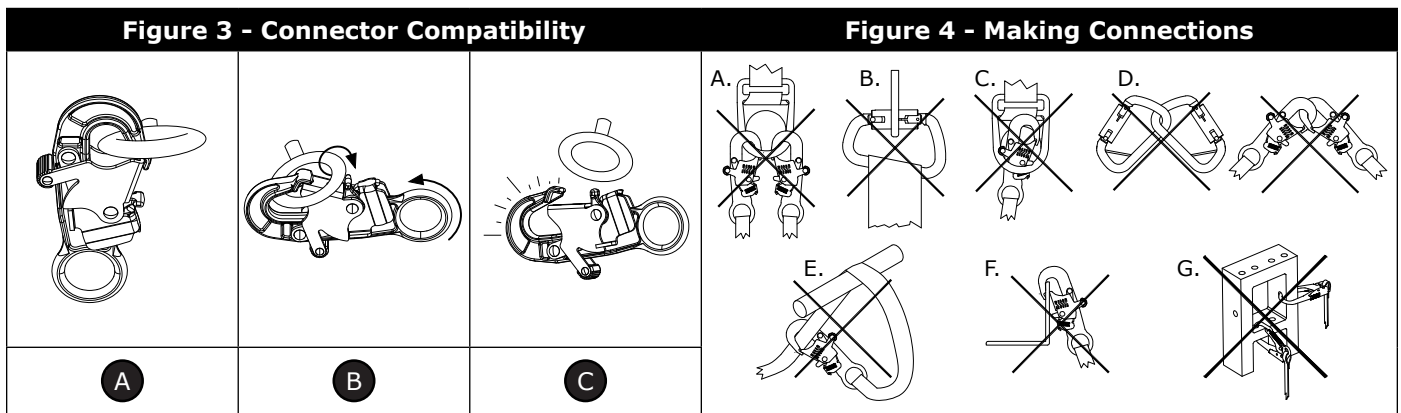
3M Connectors (snap hooks and carabiners) are designed to be used only as specified in each instruction manual. Ensure connectors are compatible with the system components to which they are connected. Do not use equipment that is non-compatible. Use of non-compatible components may cause the connector to unintentionally disengage (see Figure 3). If the connecting element to which a connector attaches is undersized or irregular in shape, a situation could occur where the connecting element applies a force to the gate of the connector (A). This force could then cause the gate to open (B), disengaging the connector from the connecting element (C).

**2.7 MAKING CONNECTIONS:** All connections must be compatible in size, shape, and strength. See Figure 4 for examples of inappropriate connections. Do not attach snap hooks and carabiners:

- A. To a D-ring to which another connector is attached.
- B. In a manner that would result in a load on the gate. Large-throat snap hooks should not be connected to standard-size D-Rings or other connecting elements, unless the snap hook has a gate strength of 16 kN (3,600 lbf) or greater.
- C. In a false engagement, where size or shape of the connector or connecting element is not compatible and, without visual confirmation, would seem to be fully engaged.
- D. To each other.
- E. Directly to webbing or rope lanyard or tie-back material, unless the instruction manuals for both the lanyard and connector specifically allow such a connection.
- F. To any object whose size or shape does not allow the connector to fully close and lock, or that could cause connector roll-out.
- G. In a manner that does not allow the connector to align properly while under load.

**2.8 LANYARD PARKING ATTACHMENT:** Figure 5 illustrates lanyard parking. The lanyard parking attachment is for attaching the free end of a lanyard or harness-mounted Self-Retracting Device when not connected to an anchorage connection point for purposes of Fall Protection. Lanyard parking attachments must never be used as a Fall Protection attachment element on the harness for connecting a lanyard or Self-Retracting Device (A).

When not connected to an anchorage connection point, an unconnected lanyard leg must be properly parked on the Harness (B) or secured in the user's hands as in 100-percent tie-off applications (C). Free-hanging Lanyard Legs (D) can trip the user or catch on surrounding objects resulting in a fall.



### 3.0 INSTALLATION

**3.1 OVERVIEW:** Full body harnesses are to be used as part of a Fall Protection system. Ensure each component of your Fall Protection system is installed per the manufacturer instructions.

**3.2 PLANNING:** Plan your Fall Protection system before installation. Account for all factors that may affect your safety before, during, and after a fall. Consider all requirements and limitations specified in these instructions.

- A. ANCHORAGE:** Select an anchorage capable of sustaining the static load requirements of the intended Fall Protection application. See the manufacturer instructions for each component of your Fall Protection system for more information. The anchorage location should address all requirements specified in these instructions.
- B. SHARP EDGES:** Avoid working where system components may be in contact with, or scrape against, unprotected sharp edges and abrasive surfaces. All sharp edges and abrasive surfaces should be covered with protective material.
- C. CONNECTING SUBSYSTEMS:** Connecting subsystems used with the harness must be suitable for your system application. See the Product Overview and Figure 2 for more information, as well as the manufacturer instructions for your connecting subsystem.
- D. HARNESS STRETCH:** Some amount of harness stretch should be expected when using this product as part of a Fall Arrest system during fall arrest. See "Table 1 – Product Specifications" for how much harness stretch should be expected when using this product. Harness stretch should be added to all fall clearance requirements for your system, unless it is already accounted for by the connecting subsystem or another component. See the manufacturer instructions of your connecting subsystem for more information on fall clearance requirements.

*Maximum harness stretch is determined by the applicable standard or regulation.*

- E. D-RING EXTENSIONS:** When used, D-ring extensions increase fall clearance requirements by increasing the amount of free fall present in the Fall Arrest system. The length of the D-ring extension must be added to all fall clearance requirements as part of the system's free fall value. If there is an upper limit for free fall within the system, then system use must be adjusted to remain below that limit. See Table 1 for the length of your D-ring extension. See the manufacturer instructions of your connecting subsystem for more information on free fall and fall clearance requirements.

*Never use D-ring extensions in leading edge applications.*

**3.3 FASTENING BUCKLES:** 3M Harnesses are equipped with a variety of Buckles for fastening and adjusting Leg Straps and Chest Straps. See Figure 1 for the buckle types present on your harness. Figure 6 illustrates operation of each of the following buckles:

**1. Quick Connect Buckles:**

- A. To fasten the Quick Connect Buckle:** Insert the Tab into the Receptor until a click is heard.
- B. To adjust the attached Web Strap:** Pull the Web Strap forward or backward through the Buckle Slot to tighten or loosen.
- C. To release the Quick Connect Buckle:** Squeeze the Lock Levers on either side of the Receptor. Pull the Tab out of the Receptor.

**2. Tongue Buckles:** Fasten and adjust the Tongue Buckle by passing the Tongue through the Buckle Frame and inserting the Prong through the desired Grommet in the Tongue. Secure the free strap in the Strap Keeper.

**3. Pass-Through Buckles:**

- A. Insert the Male Buckle through the slot in the Female Buckle.
- B. Tighten the free strap so that the Male Buckle is flush against the Female Buckle. Secure the free strap in the Strap Keeper.

**3.4 HARNESS ADJUSTMENTS:** harnesses are equipped with a pair of Torso Adjusters for adjusting the Shoulder Straps. Figure 7 illustrates operation of the Torso Adjusters:

**1. Revolver Torso Adjusters:** To adjust Shoulder Straps with Revolver Torso Adjusters:

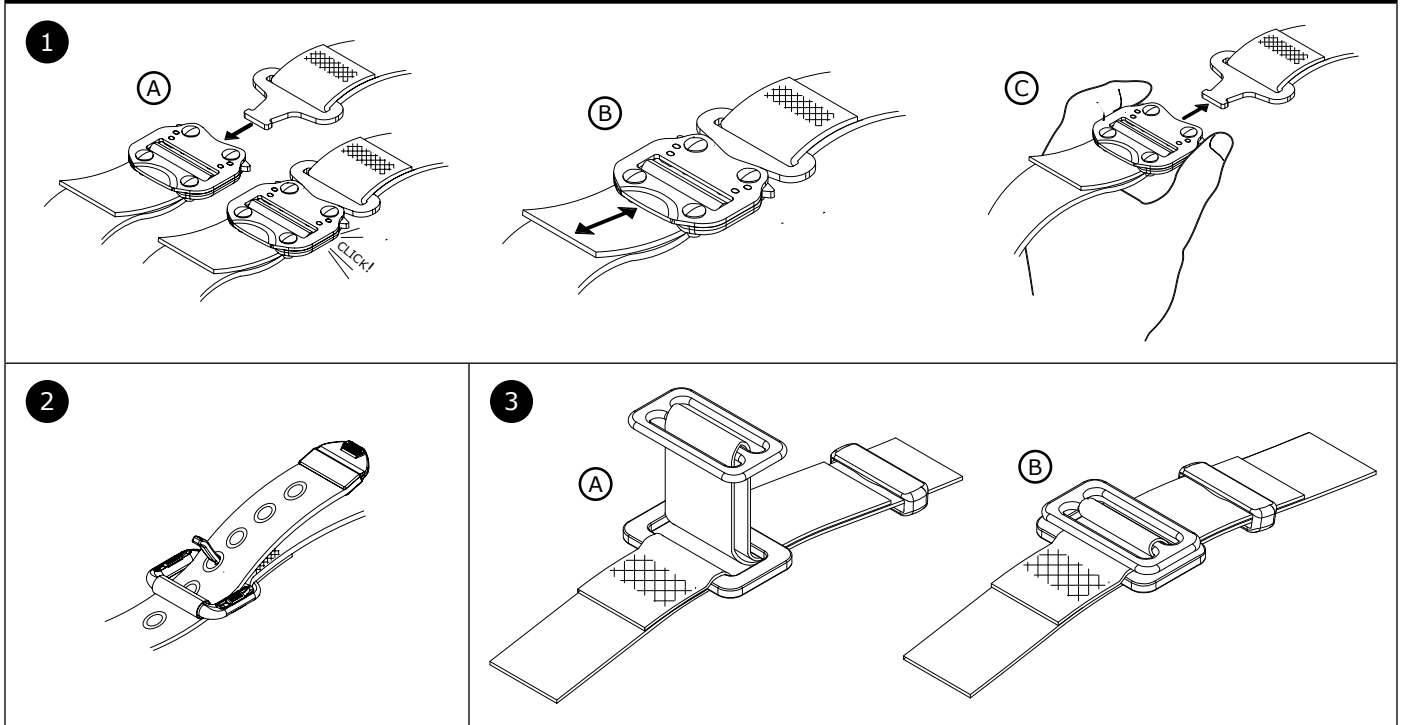
- A. Tightening:** Rotate the Revolver Ratchet Knob as illustrated in Figure 7 to tighten the Shoulder Strap.
- B. Loosening:** Pull out and rotate the Revolver Ratchet Knobs as illustrated in Figure 7 to loosen the Shoulder Straps.

**2. Parachute Torso Adjusters:** To adjust the Shoulder Straps with the Parachute Torso Adjusters:

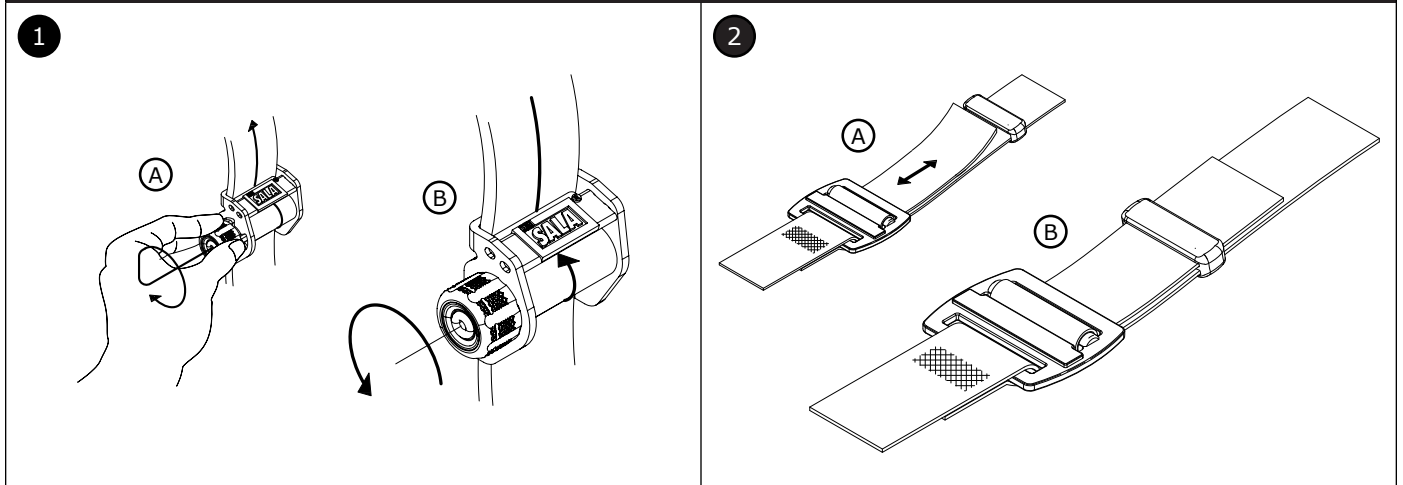
- A. Adjustment:** Pull on the free strap to tighten the Shoulder Strap. To loosen the Shoulder Strap, pull on the free strap and then back the strap through the Parachute Adjuster.
- B. To secure:** When properly adjusted, secure the free strap in the Strap Keeper.



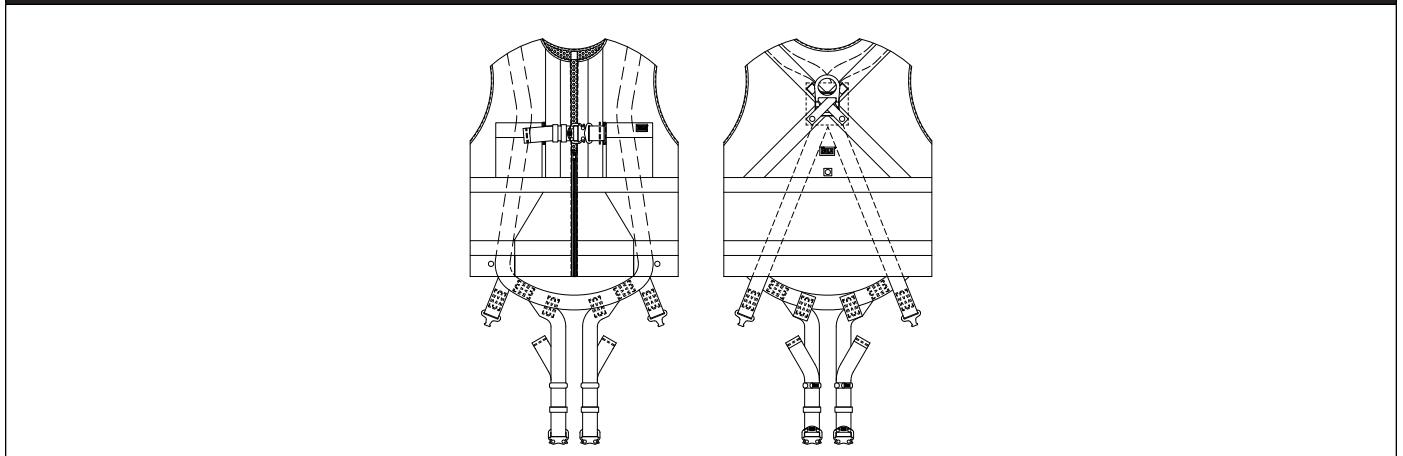
**Figure 6 – Buckles**



**Figure 7 - Adjusters**



**Figure 8 - Donning the Vest-Style Harness**



**3.5 DONNING AND FITTING THE VEST-STYLE HARNESS:** Figure 8 illustrates donning and fitting of vest-style harnesses. When donning your harness, ensure that it has a snug, comfortable fit. To don and fit the harness:

*Procedures for buckling and adjusting the straps on your harness will vary with the harness model. See Sections 3.3 and 3.4 for more information, as well as Figures 6 and 7.*

1. Lift harness by its Dorsal D-ring and untangle the straps. Allow leg straps to hang free.
2. Don the Vest Harness as you would a jacket. Do not zip the vest at this time.
3. Connect chest strap by passing the male buckle through the female buckle. Pass excess webbing through the loop keepers.
4. Reach between your legs and grasp the leg strap on your left side. Bring the strap up between your legs and connect to the buckle attached to the yellow strap (orange on high visibility models; black on flame resistant models). Connect right leg strap using the same procedure.
5. Reach inside the vest and adjust shoulder straps to a snug fit. Left and right shoulder straps should be adjusted to the same length. Re-adjust leg straps, chest strap, and shoulder straps as necessary for a snug fit.
6. Zip the vest closed.

**3.6 DONNING AND FITTING THE FULL BODY HARNESS:** Figure 9 illustrates donning and fitting of full body harnesses. When donning your harness, ensure that it has a snug, comfortable fit. To don and fit the harness:

*Procedures for buckling and adjusting the straps on your harness will vary with the harness model. See Sections 3.3 and 3.4 for more information, as well as Figures 6 and 7.*

*If your harness incorporates loops for a removable waist belt, the belt should be installed through the four loops (A) in the harness as shown in Figure 10. The hip pad, if used, is secured to the belt by passing the belt through the hip pad loops.*

1. Lift up and hold the harness by its Dorsal D-ring. Prevent any harness straps from twisting through the following steps.
2. Grasp the Shoulder Straps and slip the harness onto one arm. The Dorsal D-ring should be placed on your back. Ensure that the harness straps are not tangled and that they hang freely. Slip your free arm into the harness and position the Shoulder Straps on top of your shoulders. The Chest Strap and Chest Buckle will be positioned on your front when worn properly.
3. Reach between your legs and grasp the Leg Strap on your right side. Bring the strap up between your legs and connect it to the mating buckle on your right hip. Adjust the Leg Strap for a snug, comfortable fit. When comfortably adjusted, tuck the loose end of the Leg Strap under the Strap Keeper.  
Repeat this process to buckle and adjust the left Leg Strap.
4. If present, adjust and fasten the Tongue Buckle Waist Belt.
5. Fasten and adjust the Chest Strap. The Chest Strap should be approximately 6.0 in. (15 cm) down from the top of your shoulders. When comfortably adjusted, tuck the loose end of the Chest Strap under the Strap Keeper.
6. Adjust the Shoulder Straps for a snug, comfortable fit with the Torso Adjusters. Each Shoulder Strap should be adjusted to the same length. The Chest Strap should be centered across your lower chest, approximately 6.0 in. (15 cm) down from your shoulders. The Dorsal D-ring should be centered between your Shoulder Blades. The Sternal D-ring, if present, should be located laterally within 2.0 in. (51 mm) of the vertical centerline of the harness.

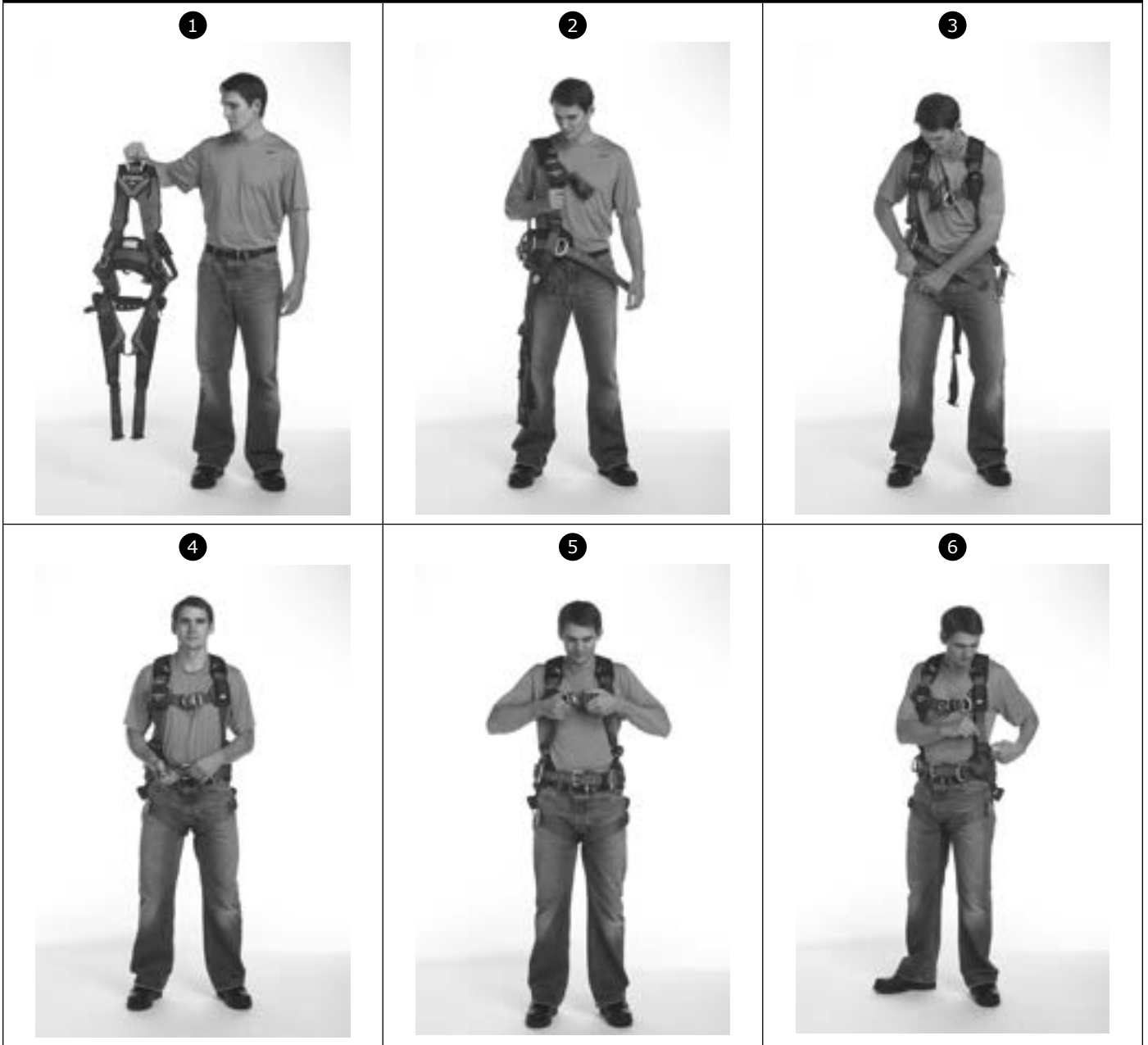
**3.7 DONNING AND FITTING THE CROSS-OVER STYLE HARNESS:** Figure 11 illustrates donning and fitting of crossover-style harnesses. When donning your harness, ensure that it has a snug, comfortable fit. To don and fit the harness:

*Procedures for buckling and adjusting the straps on your harness will vary with the harness model. See Sections 3.3 and 3.4 for more information, as well as Figures 6 and 7.*

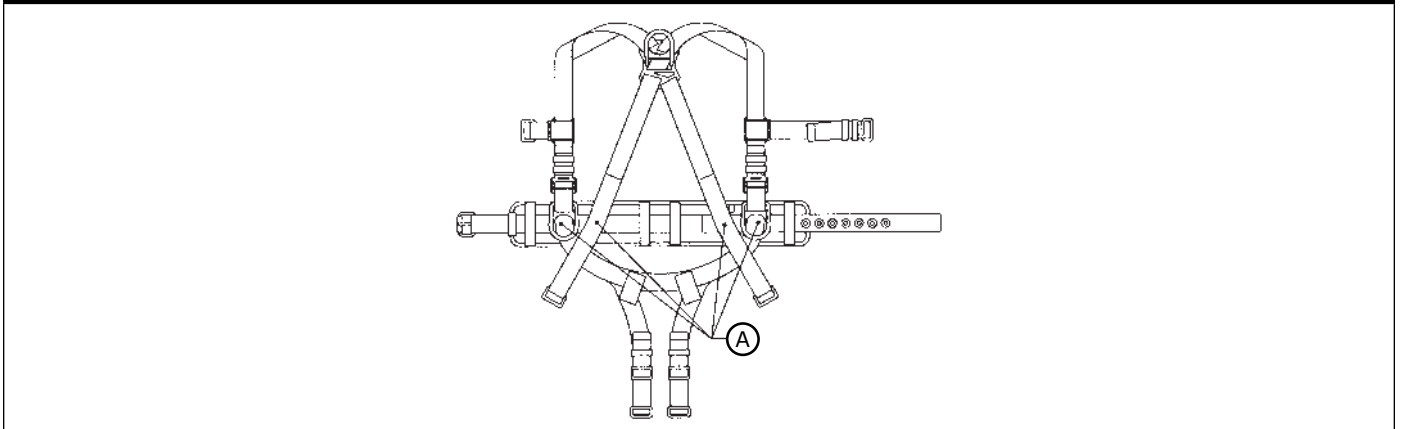
*If your harness incorporates loops for a removable waist belt, the belt should be installed through the four loops (A) in the harness as shown in Figure 12. The hip pad, if used, is secured to the belt by passing the belt through the hip pad loops.*

1. Locate Dorsal D-ring held in position by the D-ring pad. Lift up the harness using this D-ring. Ensure the straps are not twisted.
2. Grasp the shoulder straps between the back and front D-ring and slip the harness over your head. Position shoulder straps on top of your shoulders. Ensure straps are not tangled and hang freely. The D-rings will be positioned on your back and chest when worn properly.
3. Grasp the buckle below the front D-ring and connect. Ensure straps are not tangled or crossed.
4. Reach between legs and grasp the blue leg strap on your left side. Bring strap up between your legs and connect to the buckle. Repeat this procedure for the right side.
5. Adjust the shoulder straps to a snug fit. Left and right sides of the shoulder straps should be adjusted to the same length and the front D-ring should be centered on your lower chest. The back D-ring should be centered between your shoulder blades. Adjust leg straps to a snug fit. Adjust the waist belt (if present). Center retrieval D-rings (if present) on top of each shoulder.

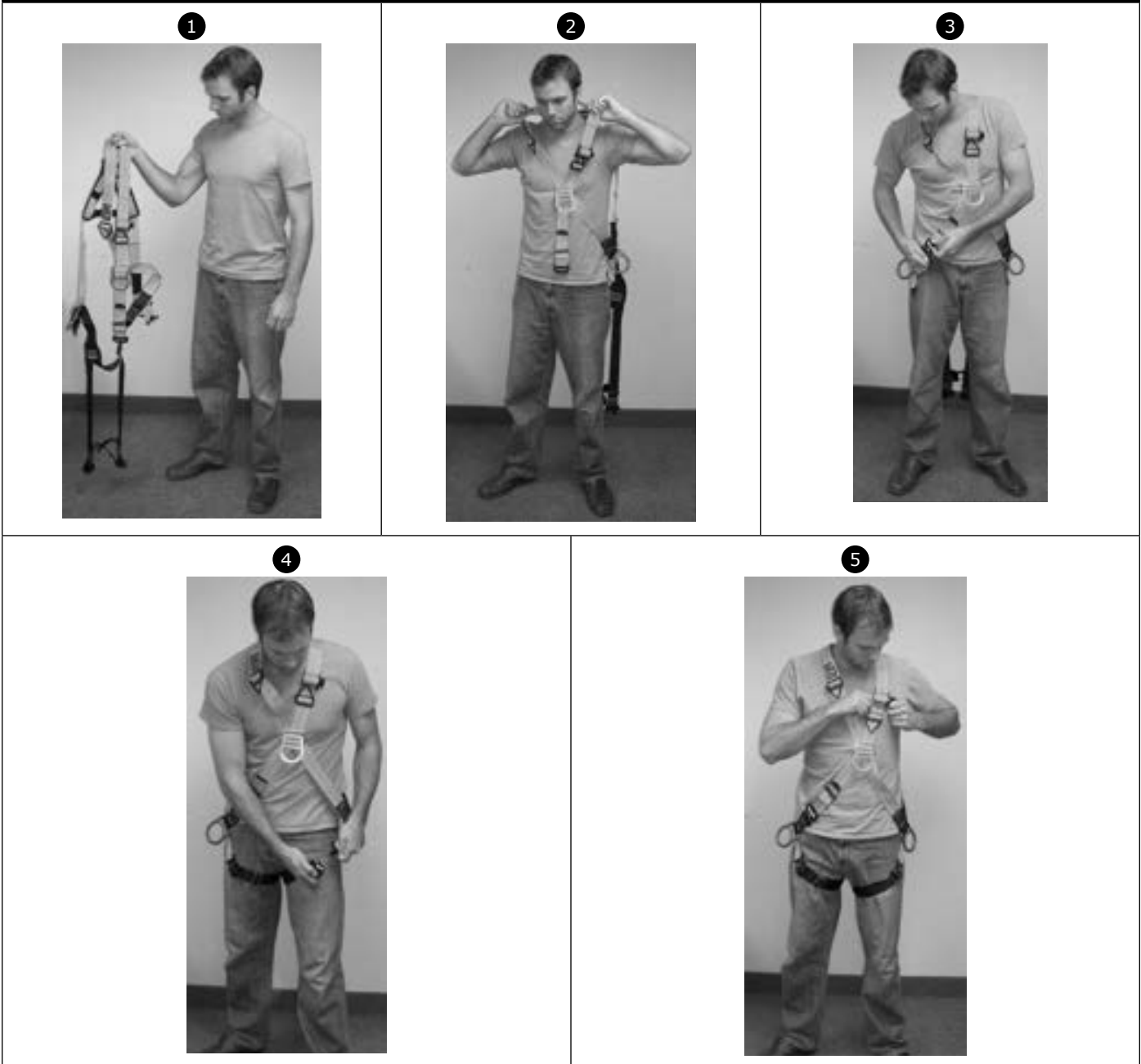
**Figure 9 - Donning the Full Body Harness**



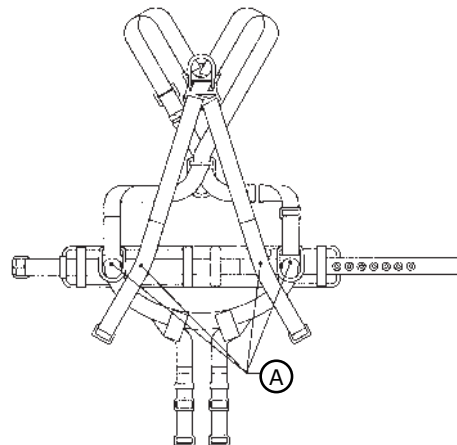
**Figure 10 - Installing the Belt (Full Body Harness)**



**Figure 11 - Donning the Crossover-Style Harness**



**Figure 12 - Installing the Belt (Crossover-Style)**



**3.6 INSTALLING A HARNESS-MOUNTED SRD:** Harness-mounted SRDs are secured directly to harnesses by means of a harness interface. Harness interfaces are a type of connector specially designed for this purpose. In general, there are two types of harness interface: straight-pin and carabiner. Instructions for each style are provided below.

*Instructions may vary per harness interface model. For more information on how to use your harness interface, see the manufacturer instructions for the harness interface or for the product it was provided with.*

*Do not remove the backplate from the harness when installing a harness-mounted SRD.*

**A. STRAIGHT-PIN INTERFACE:** Straight-pin harness interfaces include a locking pin for securing to the harness. Straight-pin interfaces may be used with Single-SRD or Twin-SRD formats, depending on the harness interface used. See Figure 14 for reference.

1. Press both Locking Buttons (A) on the front of your harness interface to open. With the Locking Buttons held down, remove the Locking Pin (B) from the harness interface.
2. Thread the Locking Pin (B) behind both Harness Straps (C), capturing the straps as you reinsert the pin into the harness interface. An audible click should be heard when the Locking Pins are reengaged.
3. Verify that the harness interface is secure and that both Harness Straps (C) are captured by the harness interface.

**B. CARABINER INTERFACE:** Carabiner interfaces are carabiners that function as harness interfaces. Carabiner interfaces may be used with Single-SRD or Twin-SRD formats, although methods will vary slightly. See Figure 15 for reference, which shows how to install the carabiner interface using a Twin-SRD format.

1. Open the Gate (A) of the carabiner interface. Slide the SRD (C) over the open Arm (B) of the carabiner. Then, slide the SRD to the opposite side of the carabiner.
2. Hold the Gate (A) of the carabiner interface open, then slide the open Arm (B) behind and around both Harness Straps (D), capturing the straps within the carabiner interface.
3. Thread the second SRD (E) onto the open Arm (B) of the carabiner interface. Then, release the Gate to close and secure the carabiner interface.
4. Verify that the carabiner interface is secure and that both Harness Straps (D) are captured by the interface.

*For Single-SRD formats, only one SRD should be attached to the carabiner interface. In this format, the carabiner interface may be secured as outlined above, or directly to your Dorsal D-ring instead. If securing to your Dorsal D-ring, do not capture the harness straps.*

Certain harness models covered in these instructions include additional features for securing harness-mounted SRDs. See below for how these features should be used:

- **SRD LOOP:** Some Full Body Harnesses are equipped with an SRD Loop that integrates the Dorsal D-Ring with attachment elements for Harness-Mounted Self-Retracting Devices (SRDs). Figure 16 illustrates attachment of common SRD configurations: (A) Nano-Lok™ Edge SRDs, (B) Twin Nano-Lok™ SRDs, (C) Single Nano-Lok™ SRDs, (D) Rebel™ SRDs. Other manufacturers' SRDs can also be mounted on the harness in similar fashion. See the manufacturer instructions for your SRD for more information.

*Contact 3M Tech Services with any questions regarding compatibility of your SRD with the SRD Loop.*

**3.7 DEPLOYING THE SUSPENSION TRAUMA STRAPS:** Figure 17 illustrates deployment of the Suspension Trauma Straps. In the event of a fall, the Suspension Trauma Straps should be used by the fallen worker to alleviate suspension trauma. To deploy the Suspension Trauma Straps on your harness:

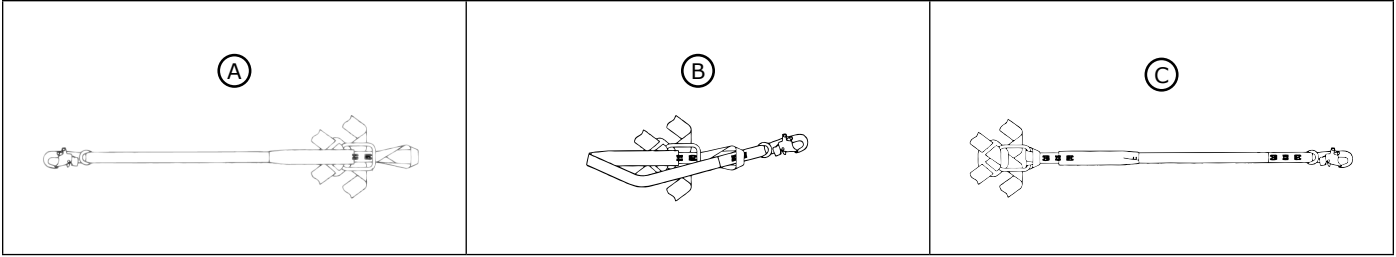
1. Locate the Suspension Trauma Straps (A) on your harness. The Suspension Trauma Straps should be located in a zipped container on your front, near the two intersection points of the leg straps.
2. Deploy the Suspension Trauma Straps by opening the zipped compartments located on the containers' sides. Guide the Straps (B) out from within each container to a length long enough for you to stand upon. Bring the two Straps together and secure them to each other by means of the Strap Hook (C).
3. Extend the connected Straps as necessary to create a length of webbing for you to stand upon. Press your heels upon either side of the connection point and stand up straight. This should transfer a significant amount of weight to the user's feet, diminishing the likelihood of suspension trauma.

**3.9 SECURING LANYARDS WITH LOOP ENDS:** Some lanyards are designed to choke onto a web loop to provide a compatible connection. Lanyards may be sewn directly to the web loop forming a permanent connection. Do not make multiple connections onto one web loop, unless choking two lanyards onto a properly sized web loop. See Figure 13 for reference. To choke a lanyard onto a web loop:

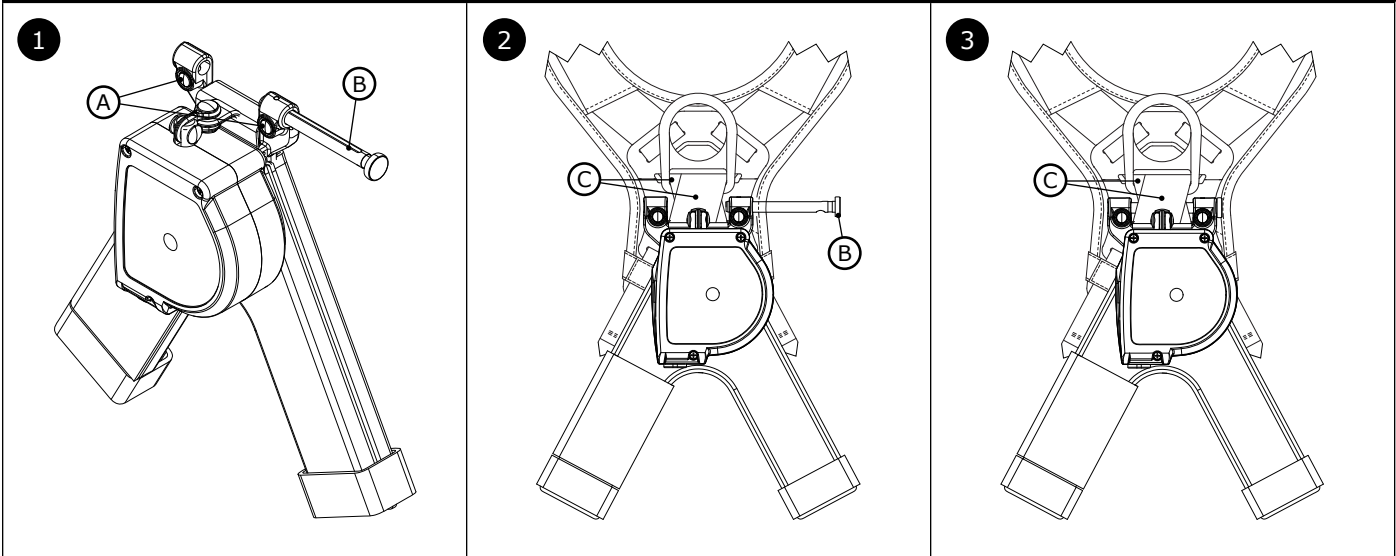
1. Insert the lanyard web loop through the web loop or D-Ring on the harness.
2. Insert the appropriate end of the lanyard through the lanyard web loop.
3. Pull the lanyard through the connecting web loop to secure.

**3.10 CONNECTING SYSTEM COMPONENTS:** After donning the harness, the user may connect to their Fall Protection System. Observe all requirements as specified in these instructions and any manufacturer's instructions included with the system components. See the Product Overview for more information on System Applications.

**Figure 13 - Securing Lanyards with Loop Ends**



**Figure 14 - Straight-Pin Interface**



**Figure 15 - Carabiner Interface**

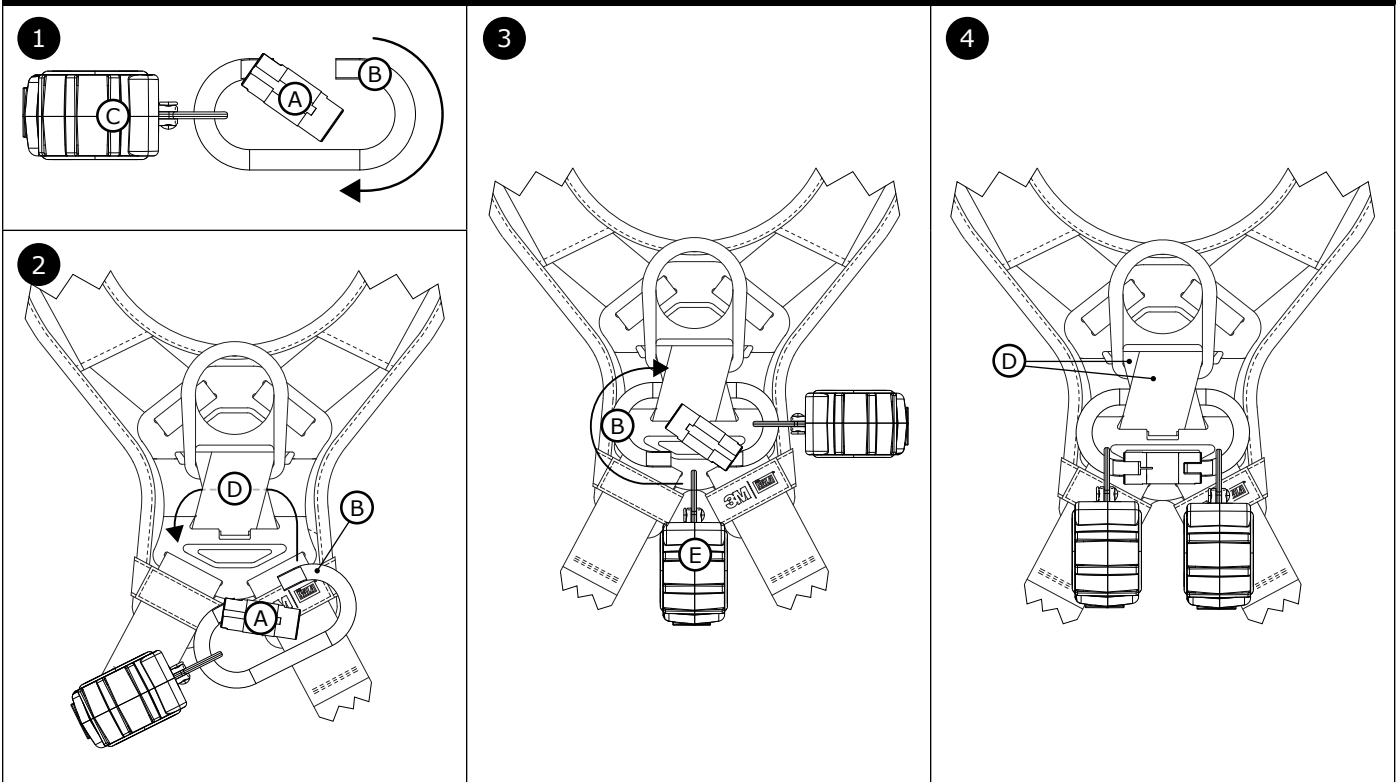


Figure 16 - SRD Loop

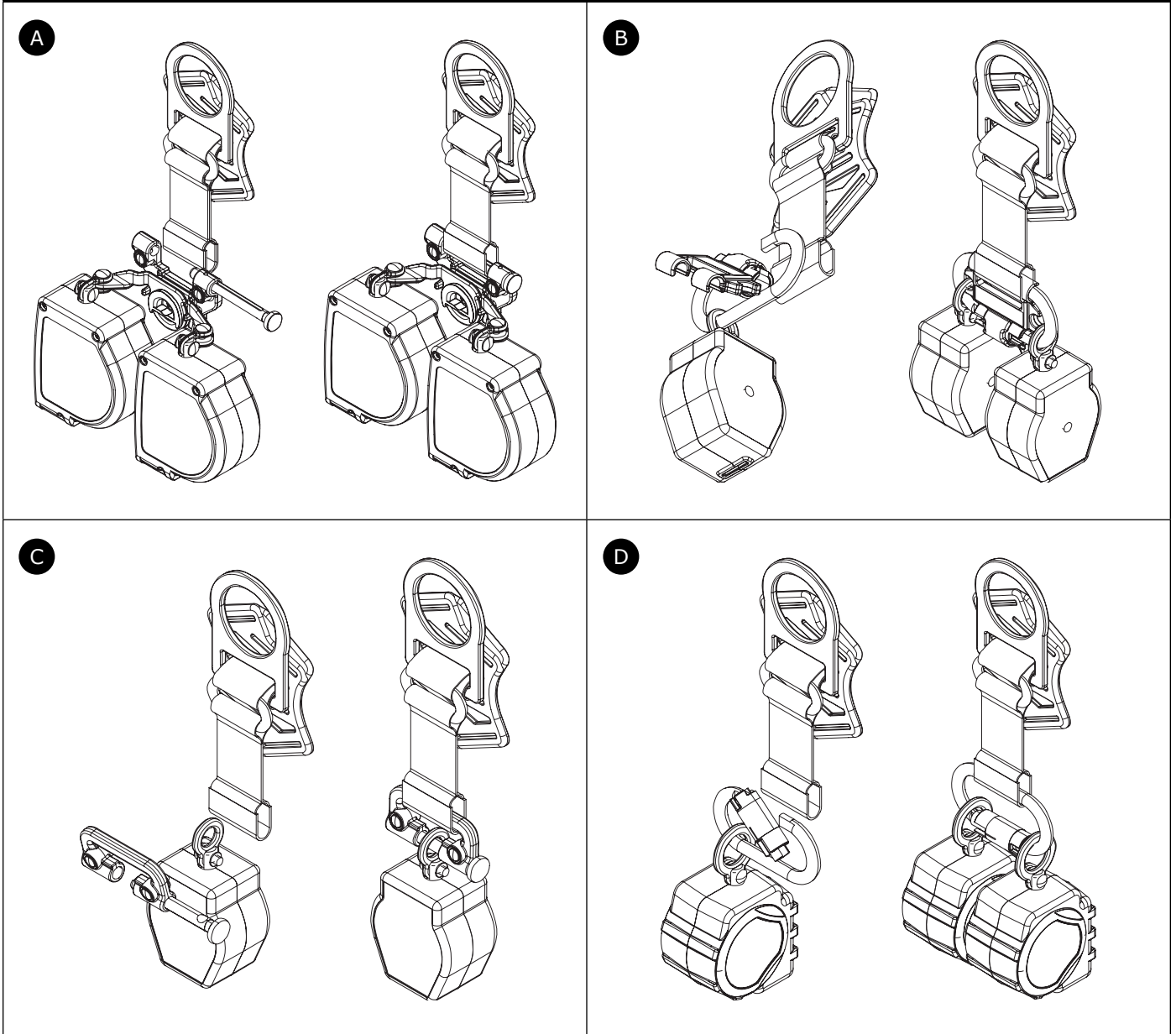
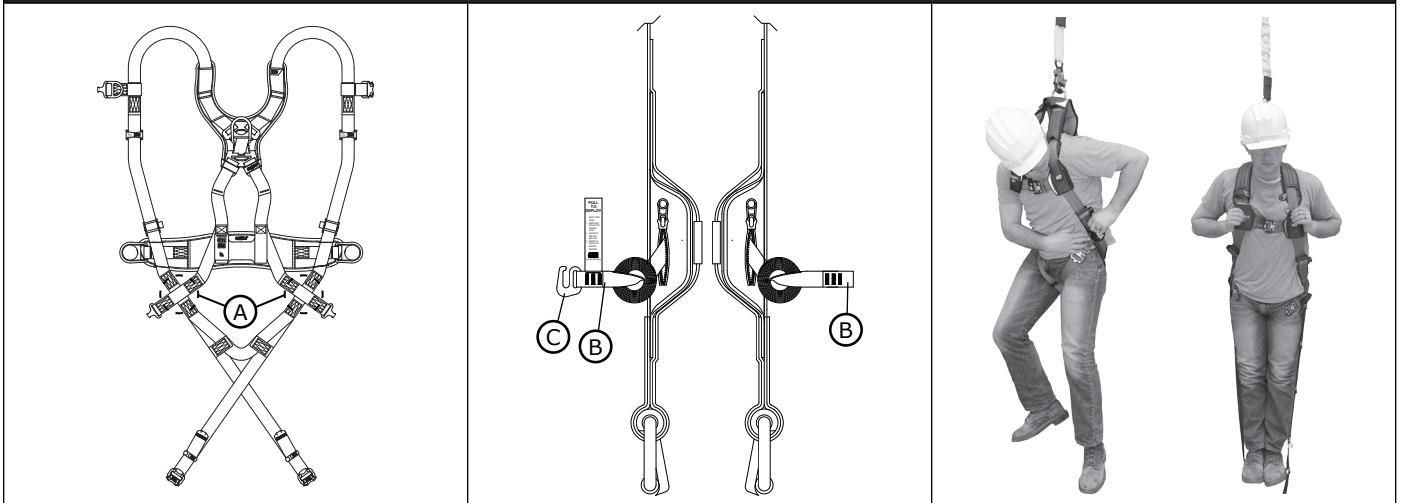


Figure 17 - Activating the Trauma Straps



## 4.0 USE

- 4.1 BEFORE EACH USE:** Verify that your work area and Fall Protection system meet all criteria defined in these instructions. Verify that a formal Rescue Plan is in place. Inspect the product per the points of the "Inspection and Maintenance Log". If inspection reveals an unsafe or defective condition, or if any doubt should arise about its condition for safe use, remove the product from service immediately. Clearly tag the system "DO NOT USE". See Section 5 for more information.
- 4.2 MAKING CONNECTIONS:** When using a hook to connect to an anchorage or when coupling components of the system together, ensure roll-out cannot occur. Roll-out occurs when interference between the hook and mating connector causes the hook gate to unintentionally open and release. Self-locking snap hooks and carabiners should be used to reduce the possibility of roll-out. Do not use hooks or connectors that will not completely close over the attachment object. See subsystem manufacturer's instructions for more information on making connections.

## 5.0 INSPECTION

After equipment has been removed from service, it may not be returned to service until a Competent Person confirms in writing that it is acceptable to do so.

- 5.1 INSPECTION FREQUENCY:** The product shall be inspected by the user before each use and, additionally, by a Competent Person other than the user at intervals of no longer than one year. A higher frequency of equipment use and harsher conditions may require increasing the frequency of Competent Person inspections. The frequency of these inspections should be determined by the Competent Person per the specific conditions of the worksite.
- 5.2 INSPECTION PROCEDURES:** Inspect this product per the procedures listed in the "Inspection and Maintenance Log". Documentation of each inspection should be maintained by the owner of this equipment. An inspection and maintenance log should be placed near the product or be otherwise easily accessible to users. It is recommended that the product is marked with the date of next or last inspection.
- 5.3 DEFECTS:** If the product cannot be returned to service because of an existing defect or unsafe condition, then the product must be either destroyed or sent to 3M for replacement.
- 5.4 PRODUCT LIFE:** The functional life of the product is determined by work conditions and maintenance. As long as the product passes inspection criteria, it may remain in service.

## 6.0 MAINTENANCE, SERVICE, and STORAGE

Equipment that is in need of maintenance or scheduled for maintenance should be tagged "DO NOT USE". These equipment tags should not be removed until maintenance is performed.

Do not clean or disinfect the product by any method other than described in the following cleaning instructions. Other methods may have adverse effects on the product or user.

- 6.1 CLEANING:** 3M Full Body Harnesses must be cleaned in accordance with 3M instructions. To clean the harness, wash in a mild, bleach-free detergent and then rinse. The harness should afterwards be hung to air-dry. Water used for cleaning and temperatures used to air-dry must never exceed 130°F (54.4°C). For more information, please refer to the technical bulletin on our website: <http://www.3M.com/FallProtection/WebCleaning>

For any questions about cleaning procedures, please contact 3M Technical Services.

- 6.2 SERVICE:** This equipment cannot be repaired. Upon permanent removal from service, cut the harness straps or otherwise render the harness unusable before disposing of it.
- 6.3 STORAGE AND TRANSPORT:** Store and transport the product in a cool, dry, clean environment out of direct sunlight. Avoid areas where chemical vapors may exist. Thoroughly inspect components after extended storage.

It is recommended that the user limit exposure of the product to UV light. Prolonged exposure to UV light could cause webbing material to degrade at a faster rate.



## 7.0 LABELS and MARKINGS

**7.1 LABELS:** Figure 19 illustrates product labels and their location on the harness. All labeling must be present and fully legible. Information on each label is as follows:

Label images are intended to be representative. Please refer to your product labels for specific information.

<b>A</b>	1) Warning Statement - Read all user instructions. 2) Harness Specifications 3) Warning Statement - Do not exceed system or harness capacity.
<b>B</b>	1) Harness Capacity: 130 lb. - 310 lb. 2) Model Number 3) Manufactured (Year/Month) 4) Lot Number 5) Harness Size 6) Applicable Standards 7) Letter Code Identifier for Applicable Standards 8) User Identification
<b>C</b>	1) Attachment Element Diagram and Descriptions 2) Serial Number 3) Inspection Log
<b>D</b>	1) Increased free fall should be considered when using this product. [only on models with D-ring extensions]

## 8.0 RFID Tag

**8.1 LOCATION:** 3M product covered in these user instructions is equipped with a Radio Frequency Identification (RFID) Tag. RFID Tags may be used in coordination with an RFID Tag Scanner for recording product inspection results. See Figure 18 for where your RFID Tag is located.

**8.2 DISPOSAL:** Prior to disposing of this product, remove the RFID Tag and dispose/recycle in accordance with local regulations. For more information, please visit our website: <http://www.3M.com/FallProtection/RFID>

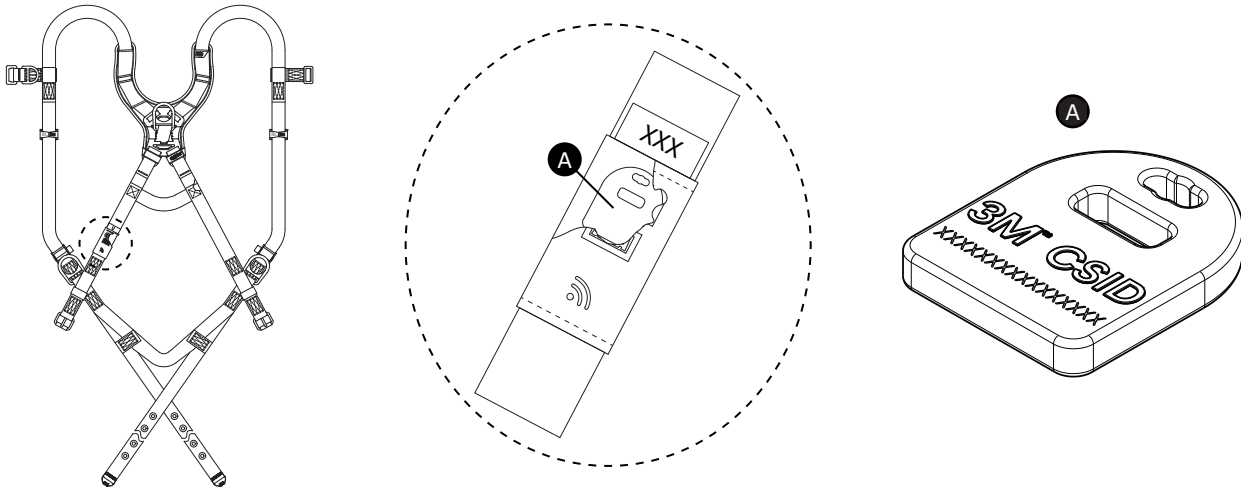
## 9.0 GLOSSARY OF TERMS

**9.1 DEFINITIONS:** The following terms and definitions are used in these instructions.

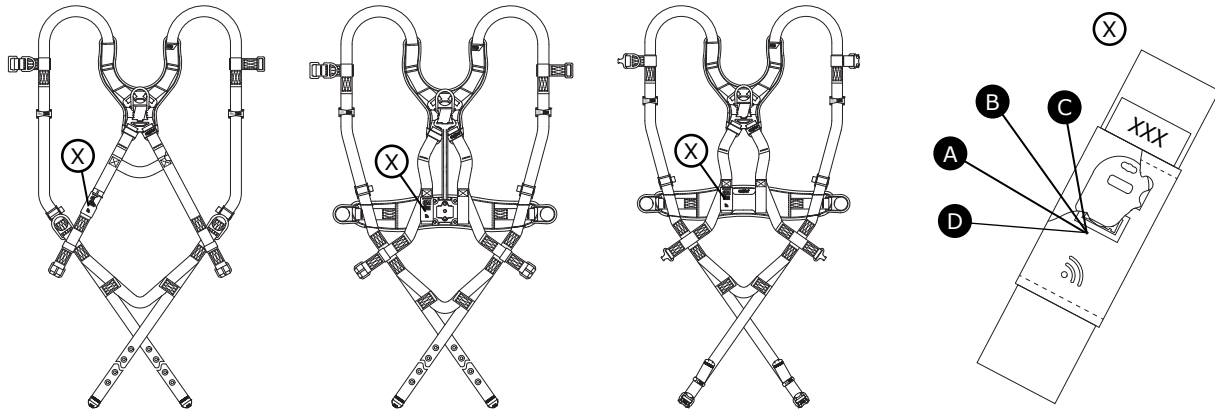
For a comprehensive list of terms and definitions, please visit our website: [www.3m.com/FallProtection/ifu-glossary](http://www.3m.com/FallProtection/ifu-glossary)

- **AUTHORIZED PERSON:** A person assigned by the employer to perform duties at a location where the person will be exposed to a fall hazard.
- **COMPETENT PERSON:** One who is capable of identifying existing and predictable hazards in the surroundings or working conditions which are unsanitary, hazardous, or dangerous to employees, and who has authorization to take prompt corrective measures to eliminate them.
- **FALL ARREST SYSTEM:** A collection of Fall Protection equipment configured to protect the user in the event of a fall.
- **QUALIFIED PERSON:** A person with a recognized degree, certificate, or professional standing, or who by extensive knowledge, training, and experience has successfully demonstrated their ability to solve or resolve problems relating to Fall Protection and Rescue systems to the extent required by applicable national, regional, and local regulations.
- **RESCUE SYSTEM:** A collection of Fall Protection equipment configured to remove a person from hazards to a safe location. No free fall is permitted.
- **RESCUER:** A person using the Rescue system to perform an assisted rescue.
- **RESTRAINT SYSTEM:** A collection of Fall Protection equipment configured to prevent the user from reaching a fall hazard. No free fall is permitted.
- **USER:** A person who performs activities while protected by a Fall Protection system.
- **WORK POSITIONING SYSTEM:** A collection of Fall Protection equipment configured to support a user at a work position.

**Figure 18 - RFID Tag Location**



**Figure 19 - Product Labels**

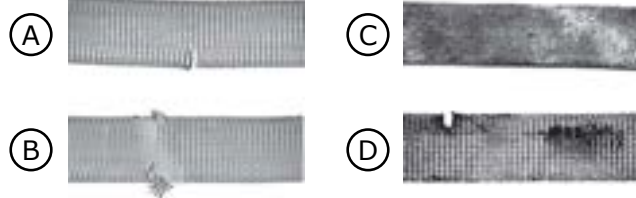


<p><b>A</b></p>	<p>950020 Rev. L</p> <p><b>1</b> <b>WARNING</b> Manufacturer's instructions must be read and understood prior to use. Instructions supplied with this product at time of shipment must be followed. Failure to do so could result in serious injury or death. Contact 3M Fall Protection Group if instruction sheet is needed. Inspect before each use. Do not use if wear or damage is present. This body harness is intended to be used to arrest the most severe free falls. Items subjected to fall arrest or impact forces must be immediately removed from service and destroyed. Connecting snap and D-Ring must be compatible in size, shape, and strength. This item is not flame or heat resistant. Repairs only to be performed by 3M Fall Protection Group. Equipment modification or misuse voids warranty.</p>	<p><b>3M</b> <b>SALA</b></p> <p><b>2</b> Full Body Harness Material: Polyester Webbing ANSI Capacity: 130-310 lbs. OSHA Capacity: 420 lbs.</p> <p><b>3</b> <b>WARNING</b> Do not exceed the capacity of this or other system components. Capacity is the combined weight for which the component is designed to be used. Combined weight includes the user's body weight, clothing, tools, and any objects carried. Contact 3M Fall Protection Group for more information.</p> <p>3M.com/FallProtection</p> <p>DO NOT REMOVE LABEL</p>	<p><b>D</b></p> <p><b>9515759 Rev. A</b></p> <p><b>WARNING</b> Increased free fall should be considered when using this product.</p>										
<p><b>B</b></p>	<p>950020 Rev. F</p> <p><b>1</b> <b>ANSI/ASSP Z359.11-2021</b> ANSI Z359 Recognizes the use of this harness only within the capacity range of: <b>130-310 lbs.</b></p> <p>Model No.: Mfrd. Lot: Size: Stds:</p> <p><b>2</b> <b>3</b> <b>4</b> <b>5</b> <b>6</b></p>	<p><b>7</b></p> <p><b>PRODUCT COMPLIANCE   DO NOT REMOVE THIS LABEL</b></p> <p>This product complies with the following standards only if marked with the corresponding letter code under the "Stds" section.</p> <p>B = OSHA 1910.140 &amp; OSHA 1926.502 D = ASTM F887</p> <p>E = ANSI Z359.3 F = ANSI Z359.4 G = ANSI Z359.11 H =</p> <p><b>8</b> <b>USER IDENTIFICATION</b> Mark label with permanent marker</p>											
<p><b>C</b></p>	<p>950021 Rev. E</p> <p><b>1</b></p> <p>1) Dorsal attachment is for fall arrest, travel restraint or rescue. 2) Shoulder attachment is for fall arrest. 3) Shoulder attachment is for rescue or entry restraint. 4) Hip attachment is for work positioning or travel restraint. 5) Front attachment is for fall arrest. 6) Rear waist attachment is for travel restraint.</p> <p>SEE USER INSTRUCTIONS FOR MORE DETAILS.</p>	<p>SERIAL NO.: SEE RFID TAG <b>2</b></p> <table border="1"> <tr> <td>DATE</td> <td>INITIAL</td> <td></td> <td></td> <td></td> <td></td> <td></td> <td></td> <td></td> <td></td> </tr> </table> <p><b>3</b> <b>INSPECTION LOG</b></p>	DATE	INITIAL									
DATE	INITIAL												

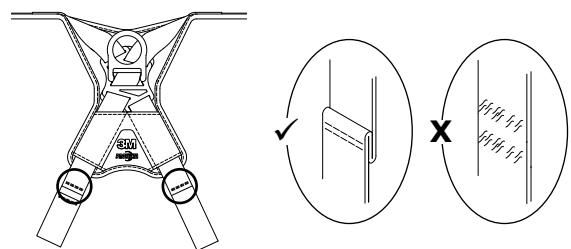
**Table 2 – Inspection and Maintenance Log**

<b>Model Number (Serial Number):</b>					
<b>Date Purchased:</b>			<b>Date of First Use:</b>		
...					
<input checked="" type="checkbox"/> <i>This product must be inspected by the user before each use. Additionally, a Competent Person other than the user must inspect this equipment at least once each year.</i>					
...					
Component	Inspection Procedure			Inspection Result	
				Pass	Fail
Harness Hardware (Table 1)	Inspect all harness hardware for damage, including all attachment elements, buckles, adjusters, and other elements. Each of these items must not be damaged, broken, or distorted. Each item must also be free of any sharp edges, burrs, cracks, worn parts, or corrosion. PVC-coated hardware must be free of cuts, rips, tears, and holes in the coating to ensure non-conductivity. Ensure all buckles and adjusters operate smoothly.			<input type="checkbox"/>	<input type="checkbox"/>
	<input checked="" type="checkbox"/> <i>Some harnesses feature a "stand-up" dorsal D-ring, which includes a spring. This spring is not critical to D-ring integrity.</i>				
Webbing & Stitching (Figure 20)	Inspect the webbing of the harness across all areas. All webbing material must be free of cuts (A), fraying (B), heavy soiling (C), and welding burns (D). Check for tears, abrasions, mold, burns, discoloration, and broken fibers. Check for pulled or cut stitches. Broken stitches may indicate that the harness has been impact loaded and must be removed from service.			<input type="checkbox"/>	<input type="checkbox"/>
	<input checked="" type="checkbox"/> <i>For vest-style harnesses, inspection should also include the webbing inside the vest.</i>				
Stitched Impact Indicators (Figure 21)	Verify all Impact Indicators are intact. Impact Indicators are sections of webbing lapped back on themselves and secured with a specific stitch pattern. This stitch pattern is designed to release when the harness arrests a fall or is exposed to equivalent force. If an Impact Indicator has been activated (indicated), then the harness must be removed from service and destroyed.			<input type="checkbox"/>	<input type="checkbox"/>
Labels (Figure 19)	All labels are present and fully legible.			<input type="checkbox"/>	<input type="checkbox"/>
Fall Protection Equipment	Additional Fall Protection equipment that is used with the product is installed and inspected per the manufacturer instructions.			<input type="checkbox"/>	<input type="checkbox"/>
...					
<input checked="" type="checkbox"/> <i>If the product fails an inspection procedure, then the product fails overall inspection. If the product fails inspection, remove it from service immediately. Clearly tag the product "DO NOT USE". See Section 5 for more information.</i>					
...					
<b>Inspection Type:</b>	<input type="checkbox"/> User	<input type="checkbox"/> Competent Person	<b>Overall Inspection Result:</b>	<input type="checkbox"/> Pass	<input type="checkbox"/> Fail
<b>Inspected By:</b>			<b>Date of Inspection:</b>		
<b>Signature:</b>			<b>Next Inspection Due:</b>		
...					
<b>Additional Notes:</b>					

**Figure 20 - Webbing**



**Figure 21 - Impact Indicators**



① **NOTE:** *These are general requirements and information provided by ANSI/ASSP Z359. 3M Fall Protection may impose more stringent restrictions on the use of its products; refer to your 3M instruction manual for more information.*

1. It is essential that the users of this type of equipment receive proper training and instruction, including detailed procedures for the safe use of such equipment in their work application. ANSI/ASSP Z359.2, "Minimum Requirements for a Comprehensive Managed Fall Protection Program", establishes guidelines and requirements for an employer's managed Fall Protection program, including policies, duties and training; Fall Protection procedures; eliminating and controlling fall hazards; rescue procedures; incident investigations; and evaluating program effectiveness.
2. Correct fit of a Full Body Harness (FBH) is essential to proper performance. Users must be trained to select the size and maintain the fit of their Full Body Harness.
3. Users must follow manufacturer's instructions for proper fit and sizing, paying particular attention to ensure that buckles are connected and aligned correctly, leg straps and shoulder straps are kept snug at all times, chest straps are located in the middle chest area, and leg straps are positioned and snug to avoid contact with the genitalia should a fall occur.
4. Full Body Harnesses which meet ANSI/ASSP Z359.11 are intended to be used with other components of a Personal Fall Arrest System that limit maximum arrest forces to 1800 lbf (8 kN) or less.
5. Suspension intolerance, also called suspension trauma or orthostatic intolerance, is a serious condition that can be controlled with good harness design, prompt rescue and post-fall suspension relief devices. A conscious user may deploy a suspension relief device allowing the user to remove tension from around the legs, freeing blood flow, which can delay the onset of suspension intolerance. An attachment element extender is not intended to be attached directly to an anchorage or anchorage connector for fall arrest. An energy absorber must be used to limit maximum arrest forces to 1800 lbf (8 kN). The length of the attachment element extender may affect free fall distances and free fall clearance calculations.
6. Full Body Harness (FBH) Stretch, the amount the FBH component of a Personal Fall Arrest System will stretch and deform during a fall, can contribute to the overall elongation of the system in stopping a fall. It is important to include the increase in fall distance created by FBH Stretch, as well as the FBH connector length, the settling of the user's body in the FBH, and all other contributing factors when calculating total clearance required for a particular Fall Arrest system.
7. When not in use, unused lanyard legs that are still attached to a Full Body Harness D-Ring should not be attached to a Work Positioning element or any other structural element on the Full Body Harness unless deemed acceptable by the Competent Person and manufacturer of the lanyard. This is especially important when using some types of "Y" style lanyards, as some load may be transmitted to the user through the unused lanyard leg if it is not able to release from the harness. The lanyard parking attachment is generally located in the sternal area to help reduce tripping and entanglement hazards.
8. Loose ends of straps can get caught in machinery or cause accidental disengagement of an adjuster. All Full Body Harnesses shall include keepers or other components which serve to control the loose ends of straps.
9. Due to the nature of soft loop connections, it is recommended that soft loop attachments only be used to connect with other soft loops or carabiners. Snap Hooks should not be used unless approved for the application by the manufacturer.

**Sections 10-16 provide additional information concerning the location and use of various attachments that may be provided on this Full Body Harness (FBH).**

- 10. Dorsal** – The dorsal attachment element shall be used as the primary Fall Arrest attachment, unless the application allows the use of an alternate attachment. The dorsal attachment may also be used for Travel Restraint or Rescue. When supported by the dorsal attachment during a fall, the design of the Full Body Harness shall direct load through the shoulder straps supporting the user, and around the thighs. Supporting the user post-fall by the dorsal attachment will result in an upright body position with a slight lean to the front with some slight pressure to the lower chest. Considerations should be made when choosing a sliding versus fixed dorsal attachment element. Sliding dorsal attachments are generally easier to adjust to different user sizes, and allow a more vertical rest position post-fall, but can increase FBH Stretch.
- 11. Sternal** – The sternal attachment may be used as an alternative Fall Arrest attachment in applications where the dorsal attachment is determined to be inappropriate by a Competent Person, and where there is no chance to fall in a direction other than feet first. Accepted practical uses for a sternal attachment include, but are not limited to, ladder climbing with a guided-type fall arrester, ladder climbing with an overhead self-retracting lifeline for fall arrest, Work Positioning, and rope access. The sternal attachment may also be used for Travel Restraint or Rescue.

When supported by the sternal attachment during a fall, the design of the Full Body Harness shall direct load through the shoulder straps supporting the user, and around the thighs. Supporting the user post-fall by the sternal attachment will result in roughly a sitting or cradled body position with weight concentrated on the thighs, buttocks and lower back. Supporting the user during Work Positioning by this sternal attachment will result in an approximate upright body position.

If the sternal attachment is used for Fall Arrest, the Competent Person evaluating the application should take measures to ensure that a fall can only occur feet first. This may include limiting the allowable free fall distance. It may be possible for a sternal attachment incorporated into an adjustable style chest strap to cause the chest strap to slide up and possibly choke the user during a fall, extraction, suspension, etc. The Competent Person should consider Full Body Harness models with a fixed sternal attachment for these applications.

- 12. Frontal** – The frontal attachment serves as a ladder climbing connection for guided-type fall arresters where there is no chance to fall in a direction other than feet first, or may be used for Work Positioning. Supporting the user, post-fall or during work positioning, by the frontal attachment will result in a sitting body position, with the upper torso upright, with weight concentrated on the thighs and buttocks. When supported by the frontal attachment the design of the Full Body Harness shall direct load directly around the thighs and under the buttocks by means of the sub-pelvic strap.
- If the frontal attachment is used for Fall Arrest, the Competent Person evaluating the application should take measures to ensure that a fall can only occur feet first. This may include limiting the allowable free fall distance.
- 13. Shoulder** – The shoulder attachment elements shall be used as a pair, and are an acceptable attachment for Rescue and Entry/Retrieval. The shoulder attachment elements shall not be used for Fall Arrest. It is recommended that the shoulder attachment elements be used in conjunction with a yoke which incorporates a spreader element to keep the Full Body Harness shoulder straps separate.
- 14. Waist, Rear** – The waist, rear attachment shall be used solely for Travel Restraint. The waist, rear attachment element shall not be used for Fall Arrest. Under no circumstances is it acceptable to use the waist, rear attachment for purposes other than Travel Restraint. The waist, rear attachment shall only be subjected to minimal loading through the waist of the user, and shall never be used to support the full weight of the user.
- 15. Hip** – The hip attachment elements shall be used as a pair, and shall be used solely for Work Positioning. The hip attachment elements shall not be used for fall arrest. Hip attachments are often used for Work Positioning by arborists, utility workers climbing poles, and construction workers tying rebar and climbing on form walls. Users are cautioned against using the hip attachment elements (or any other rigid point on the Full Body Harness) to store the unused end of a Fall Arrest lanyard, as this may cause a tripping hazard, or, in the case multiple leg lanyards, could cause adverse loading to the Full Body Harness and the wearer through the unused portion of the lanyard.
- 16. Suspension Seat** – The suspension seat attachment elements shall be used as a pair, and shall be used solely for Work Positioning. The suspension seat attachment elements shall not be used for Fall Arrest. Suspension seat attachments are often used for prolonged work activities where the user is suspended, allowing the user to sit on the suspension seat formed between the two attachment elements. An example of this use would be window washers on large buildings.

### ***User Inspection, Maintenance, and Storage of Equipment***

Users of Personal Fall Arrest Systems shall, at a minimum, comply with all manufacturer instructions regarding the inspection, maintenance and storage of the equipment. The user's organization shall retain the manufacturer's instructions and make them readily available to all users. See ANSI/ASSP Z359.2, "Minimum Requirements for a Comprehensive Managed Fall Protection Program", regarding user inspection, maintenance, and storage of equipment.

1. In addition to the inspection requirements set forth in the manufacturer's instructions, the equipment shall be inspected by the user before each use and, additionally, by a Competent Person, other than the user, at intervals of no more than one year for:
  - Absence or illegibility of markings.
  - Absence of any elements affecting the equipment form, fit or function.
  - Evidence of defects in, or damage to, hardware elements including cracks, sharp edges, deformation, corrosion, chemical attack, excessive heating, alteration and excessive wear.
  - Evidence of defects in or damage to strap or ropes including fraying, unsplicing, unlaying, kinking, knotting, roping, broken or pulled stitches, excessive elongation, chemical attack, excessive soiling, abrasion, alteration, needed or excessive lubrication, excessive aging and excessive wear.
2. Inspection criteria for the equipment shall be set by the user's organization. Such criteria for the equipment shall equal or exceed the criteria established by this standard or the manufacturer's instructions, whichever is greater.
3. When inspection reveals defects in, damage to, or inadequate maintenance of equipment, the equipment shall be permanently removed from service or undergo adequate corrective maintenance, by the original equipment manufacturer or their designate, before return to service.

### ***Maintenance and Storage***

1. Maintenance and storage of equipment shall be conducted by the user's organization in accordance with the manufacturer's instructions. Unique issues, which may arise due to conditions of use, shall be addressed with the manufacturer.
2. Equipment which is in need of, or scheduled for, maintenance shall be tagged as unusable and removed from service.
3. Equipment shall be stored in a manner as to preclude damage from environmental factors such as temperature, light, UV, excessive moisture, oil, chemicals and their vapors, or other degrading elements.



ANSI/ASSP Z359.11



OSHA 1910.140  
OSHA 1926.502

# 3M™ DELTA™ ARNÉS DE CUERPO COMPLETO

## INSTRUCCIONES DE USO 5903124 Rev. J

### Fall Protection

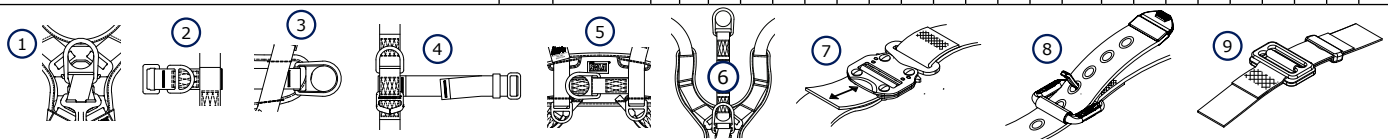
Para identificar los códigos del producto, consulte la Tabla 1. Consulte la "Tabla 1: Especificaciones del producto" para obtener más información sobre el producto.

**Figura 1: Descripción general del producto**

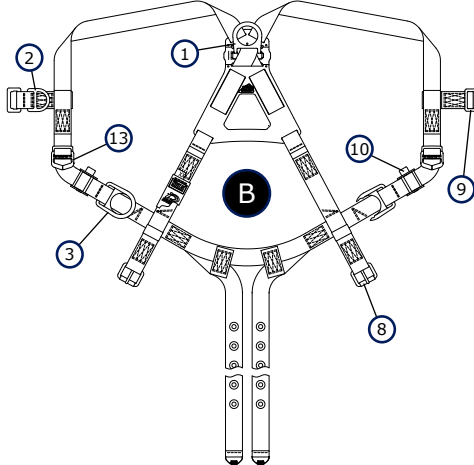
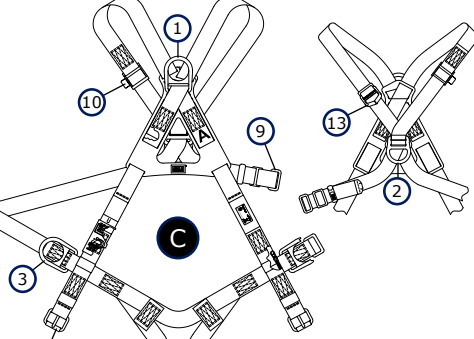
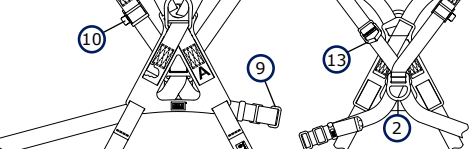
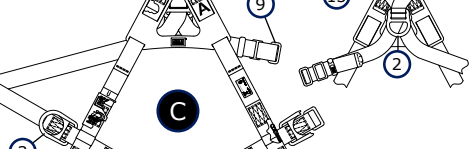
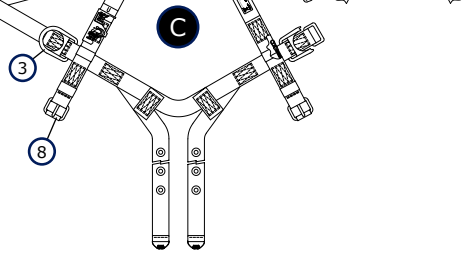
Estilo de arnés	Modelo de arnés	ANSI	OSHA	1	2	3	4	5	6	7	8	9	10	11	12	13	14	15	16	17	18	19	20	21	
				Elementos de sujeción				Hebillas y ajustadores			Otros elementos				Protectores										
				Dorsal	Esternal	Cadera	Hombro	Posterior a la cintura	Extensión con anillo en D	Conexión rápida	Lengueta	Pasante	Revolver	Paracaídas	Correas de protección contra traumatismos	Presilla de eslinga	Eslinga para asiento	Lazo de SRD	Lazo de engranaje	Cinturón	Espalda y hombro	Cadera	Pierna	Hombro	
	1100373 1100374 1100379 1100380	✓	✓	✓	✓	✓	✓	✓	✓	✓	✓	✓	✓	✓	✓	✓	✓	✓	✓	✓	✓	✓	✓	✓	
	1100389 1100390 1100391 1100392	✓	✓	✓	✓	✓	✓	✓	✓	✓	✓	✓	✓	✓	✓	✓	✓	✓	✓	✓	✓	✓	✓	✓	
	1100393 1100394 1100395 1100396	✓	✓	✓	✓	✓	✓	✓	✓	✓	✓	✓	✓	✓	✓	✓	✓	✓	✓	✓	✓	✓	✓	✓	
	1100517 1100518 1100519 1100523	✓	✓	✓	✓	✓	✓	✓	✓	✓	✓	✓	✓	✓	✓	✓	✓	✓	✓	✓	✓	✓	✓	✓	
	1100598	✓	✓	✓	✓	✓	✓	✓	✓	✓	✓	✓	✓	✓	✓	✓	✓	✓	✓	✓	✓	✓	✓	✓	
	1100632 1100633 1100634 1100635	✓	✓	✓	✓	✓	✓	✓	✓	✓	✓	✓	✓	✓	✓	✓	✓	✓	✓	✓	✓	✓	✓	✓	✓
	1100636 1100637 1100638 1100639	✓	✓	✓	✓	✓	✓	✓	✓	✓	✓	✓	✓	✓	✓	✓	✓	✓	✓	✓	✓	✓	✓	✓	✓
	1100680 1100681 1100682 1100683	✓	✓	✓	✓	✓	✓	✓	✓	✓	✓	✓	✓	✓	✓	✓	✓	✓	✓	✓	✓	✓	✓	✓	✓
	1100684	✓	✓	✓	✓	✓	✓	✓	✓	✓	✓	✓	✓	✓	✓	✓	✓	✓	✓	✓	✓	✓	✓	✓	✓
	1100696 1100697 1100698 1100699	✓	✓	✓	✓	✓	✓	✓	✓	✓	✓	✓	✓	✓	✓	✓	✓	✓	✓	✓	✓	✓	✓	✓	✓
1100700 1100701 1100702 1100703	✓	✓	✓	✓	✓	✓	✓	✓	✓	✓	✓	✓	✓	✓	✓	✓	✓	✓	✓	✓	✓	✓	✓	✓	

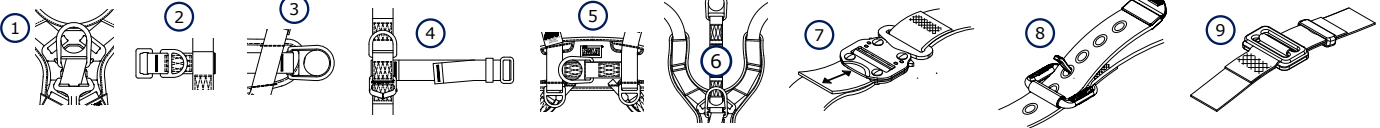
**Figura 1: Descripción general del producto**

Estilo de arnés	Modelo de arnés	ANSI	OSHA	Elementos de sujeción																				
				1	2	3	4	5	6	7	8	9	10	11	12	13	14	15	16	17	18	19	20	21
				Dorsal	Esternal	Cadera	Hombro	Posterior a la cintura	Extensión con anillo en D	Conexión rápida	Lengüeta	Pasante	Revolver	Paracaídas	Correas de protección contra traumatismos	Presilla de eslinga	Eslinga para asiento	Lazo de SRD	Lazo de engranaje	Cinturón	Espalda y hombro	Cadera	Pierna	Hombro
				Hebillas y ajustadores							Otros elementos						Protectores							
<b>A</b>	1100707	✓	✓	✓	✓	✓						✓	✓	✓					✓	✓	✓	✓		
	<b>C</b>	1100723 1100724	✓	✓	✓	✓						✓								✓		✓		
<b>B</b>	1100744 1100745 1100746 1100747 1100748 1100747H 1100748H	✓	✓	✓									✓	✓	✓					✓		✓		
	<b>A</b>	1100749 1100785 1100786 1100787 1100788 1100749H 1100785H 1100786H 1100787H 1100788H	✓	✓	✓		✓					✓			✓					✓	✓	✓	✓	
		1100789	✓	✓	✓	✓						✓	✓	✓						✓	✓	✓	✓	
		1100794	✓	✓	✓	✓						✓			✓						✓		✓	
		1100795 1100796 1100797 1100798 1100795H 1100796H 1100797H 1100798H	✓	✓	✓	✓						✓	✓	✓						✓	✓	✓	✓	
	<b>B</b>	1100799	✓	✓	✓	✓							✓	✓	✓						✓		✓	
		1100821 1100822 1100823 1100824	✓	✓	✓	✓							✓			✓					✓		✓	
	1100834 1100835 1100836 1100837	✓	✓	✓	✓								✓	✓	✓					✓		✓		
<b>C</b>	1100840 1100841 1100842	✓	✓	✓	✓	✓	✓						✓	✓	✓					✓	✓			
<b>B</b>	1100845 1100846 1100847 1100848 1100873	✓	✓	✓	✓								✓	✓	✓						✓	✓		



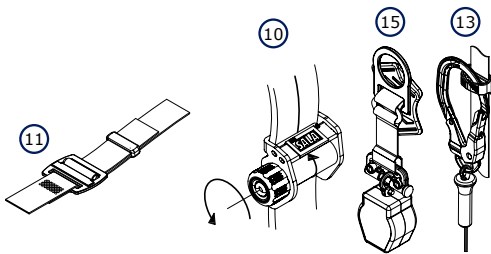
**Figura 1: Descripción general del producto**

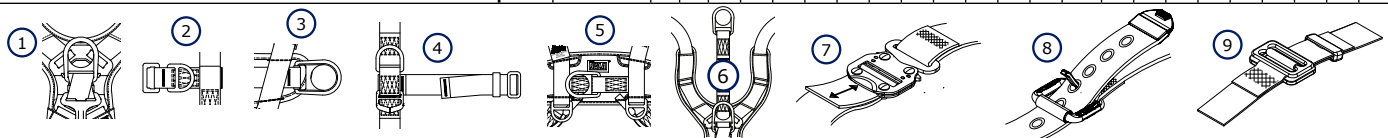
Estilo de arnés	Modelo de arnés	ANSI	OSHA	1	2	3	4	5	6	7	8	9	10	11	12	13	14	15	16	17	18	19	20	21		
				Dorsal	Esternal	Cadera	Hombro	Posterior a la cintura	Extensión con anillo en D	Conexión rápida	Lengüeta	Pasante	Revolver	Paracaídas	Correas de protección contra traumatismos	Presilla de eslinga	Eslinga para asiento	Lazo de engranaje	Cinturón	Espalda y hombro	Cadera	Pierna	Hombro			
				Elementos de sujeción				Hebillas y ajustadores			Otros elementos					Protectores										
	1100874																									
	1100881																									
	1100882	✓	✓	✓	✓	✓					✓	✓	✓			✓					✓		✓			
	1100883																									
	1100884																									
	1100898																									
	1100935																									
	1100936																									
	1100937																									
	1100938	✓	✓	✓							✓			✓			✓					✓		✓		
	1100935H																									
	1100936H																									
	1100937H																									
	1100938H																									
	1100945																									
1100946																										
1100947	✓	✓	✓								✓	✓	✓			✓					✓		✓			
1100948																										
1100947H																										
1100949	✓	✓	✓	✓	✓					✓			✓			✓					✓		✓			
1100974H	✓	✓	✓								✓	✓	✓			✓	✓							✓		
1100975																										
1100976	✓	✓	✓							✓			✓			✓					✓		✓			
1100977																										
1100978																										
	1100987	✓	✓	✓						✓	✓		✓			✓				✓	✓	✓	✓			
	1100988																									
	1101048	✓	✓	✓							✓	✓	✓			✓					✓		✓			
	1101049																									
	1101174	✓	✓	✓	✓			✓	✓		✓	✓	✓		✓	✓	✓		✓	✓		✓				
	1101199H	✓	✓	✓							✓	✓	✓		✓	✓								✓		
	1101251																									
	1101252																									
	1101253																									
	1101256																									
	1101258																									
	1101261	✓	✓	✓								✓	✓	✓		✓	✓									
	1101266																									
	1101271																									
	1101623																									
1101251H																										
1101252H																										
1101253H																										
1101254																										
1101255																										
1101257	✓	✓	✓								✓	✓	✓		✓	✓										
1101267																										
1101268																										
1101254H																										





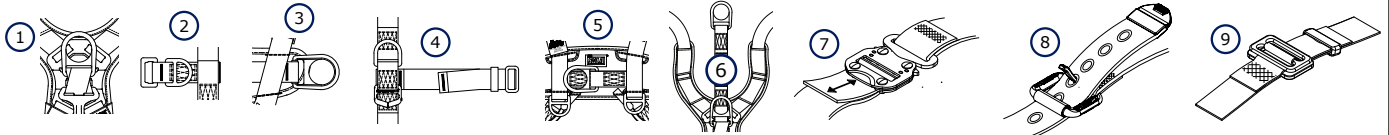
### Figura 1: Descripción general del producto

Estilo de arnés		ANSI	OSHA																					
															Elementos de sujeción		Hebillas y ajustadores		Otros elementos		Protectores			
				1	2	3	4	5	6	7	8	9	10	11	12	13	14	15	16	17	18	19	20	21
																								
<b>B</b>	1101637 1101639	✓	✓	✓																				
	1101653	✓	✓	✓	✓														✓		✓			
	1101654 1101655 1101656 1101654H 1101655H	✓	✓	✓	✓																✓	✓		
	1101659	✓	✓	✓	✓																✓	✓		
	1101660	✓	✓	✓	✓																✓	✓		
	1101661	✓	✓	✓	✓																✓	✓		
	1101662	✓	✓	✓	✓																✓	✓		
	<b>A</b>	1101761	✓	✓	✓																			
		1101776	✓	✓	✓																			
		1101781	✓	✓	✓	✓																		
		1101784 1101785 1101786 1101787	✓	✓	✓																			
		1101791	✓	✓	✓					✓														
		1101794	✓	✓	✓	✓																		
		1101796	✓	✓	✓						✓													
		<b>B</b>	1101800 1101801 1101802 1101803 1101805 1101808 1101809 1101810 1101811 1101812 1101814 1101818 1101819	✓	✓	✓	✓	✓						✓		✓	✓					✓		✓
	1101826 1101827		✓	✓																				
1101828 1101829	✓		✓							✓														
<b>C</b>	1101800 1101801 1101802 1101803 1101805 1101808 1101809 1101810 1101811 1101812 1101814 1101818 1101819		✓	✓	✓	✓	✓																	
	1101826 1101827		✓	✓																				
	1101828 1101829		✓	✓							✓													
	<b>B</b>		1101826 1101827	✓	✓																			
			1101828 1101829	✓	✓																			
			1101800 1101801 1101802 1101803 1101805 1101808 1101809 1101810 1101811 1101812 1101814 1101818 1101819	✓	✓	✓	✓	✓																
			1101826 1101827	✓	✓																			
			1101828 1101829	✓	✓																			
		1101800 1101801 1101802 1101803 1101805 1101808 1101809 1101810 1101811 1101812 1101814 1101818 1101819	✓	✓	✓	✓	✓																	
		1101826 1101827	✓	✓																				
		1101828 1101829	✓	✓																				
		1101800 1101801 1101802 1101803 1101805 1101808 1101809 1101810 1101811 1101812 1101814 1101818 1101819	✓	✓	✓	✓	✓																	
		1101826 1101827	✓	✓																				
	1101828 1101829	✓	✓																					



**Figura 1: Descripción general del producto**

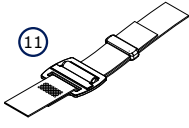
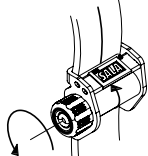

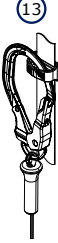

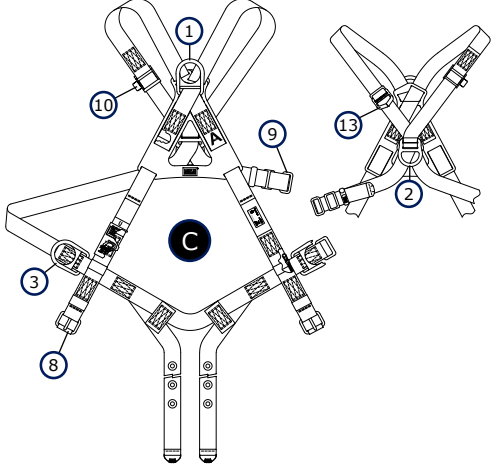
Estilo de arnés	Modelo de arnés	ANSI	OSHA	1	2	3	4	5	6	7	8	9	10	11	12	13	14	15	16	17	18	19	20	21		
				Dorsal	Esternal	Cadera	Hombro	Posterior a la cintura	Extensión con anillo en D	Conexión rápida	Lengüeta	Pasante	Revolver	Paracaídas	Correas de protección contra traumatismos	Presilla de eslinga	Eslinga para asiento	Lazo de engranaje	Lazo de SRD	Cinturón	Espalda y hombro	Cadera	Pierna	Hombro		
				Elementos de sujeción				Hebillas y ajustadores				Otros elementos				Protectores										
	1101830 1101838 1101842 1101843 1101844	B	✓	✓								✓	✓	✓	✓	✓										
	1101854 1101855 1101856 1101857 1101860 1101871	C	✓	✓	✓	✓						✓	✓		✓	✓										
	1102000 1102000H	B	✓	✓	✓							✓	✓	✓	✓	✓										
	1102001	B	✓	✓								✓	✓	✓	✓	✓										
	1102008	B	✓	✓	✓	✓						✓	✓	✓	✓	✓										
	1102010	C	✓	✓	✓	✓							✓	✓		✓	✓									
	1102020 1102021 1102022	B	✓	✓	✓				✓				✓	✓		✓	✓									
	1102090 1102091 1102092 1102093	B	✓	✓	✓	✓				✓			✓			✓	✓									
	1102195H 1102196H 1102197H	B	✓	✓	✓							✓	✓	✓		✓	✓									
	1102200 1102201 1102205 1102206	A	✓	✓	✓	✓						✓	✓	✓		✓	✓					✓		✓		✓
	1102221H	B	✓	✓	✓	✓							✓	✓	✓	✓	✓									
	1102243 1102244	B	✓	✓	✓								✓	✓	✓		✓									
	1102249	B	✓	✓	✓								✓	✓	✓	✓	✓									
	1102258	B	✓	✓	✓								✓	✓	✓	✓	✓								✓	
	1102259 1102260	B	✓	✓	✓								✓	✓	✓		✓									
	1102516 1102517	B	✓	✓	✓	✓	✓						✓	✓	✓	✓	✓								✓	

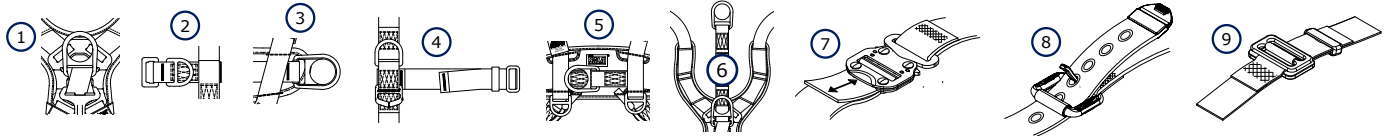






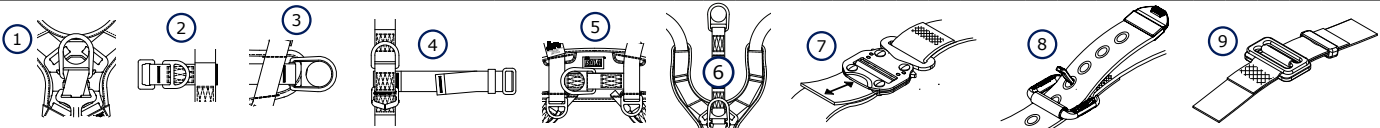
**Figura 1: Descripción general del producto**

   	Estilo de arnés	Modelo de arnés	ANSI	OSHA																					
					Elementos de sujeción					Hebillas y ajustadores					Otros elementos					Protectores					
					1	2	3	4	5	6	7	8	9	10	11	12	13	14	15	16	17	18	19	20	21
	A	1107808	✓	✓	✓	✓					✓	✓	✓					✓		✓					
		1107809	✓	✓	✓	✓						✓	✓	✓											
	B	1107810																							
		1107811																							
		1107812																							
		1107813	✓	✓	✓							✓	✓	✓											
		1107811H 1107812H 1107813H										✓	✓	✓											
	A	1107814	✓	✓	✓	✓					✓	✓	✓					✓		✓					
	B	1107815										✓	✓	✓											
		1107817	✓	✓	✓							✓	✓	✓											
1107818																									
	1107819	✓	✓	✓	✓						✓	✓	✓												
C	1107850	✓	✓							✓	✓	✓													
A	1107860																								
	1107861	✓	✓	✓	✓						✓	✓	✓					✓		✓					
	1107862																								
B	1107863																								
	1107864	✓	✓	✓	✓						✓	✓	✓												
B	1107865																								
	1107866																								
	1107867	✓	✓	✓	✓						✓	✓	✓												
	1107868																								
	1107869																								
C	1108025	✓	✓	✓	✓	✓					✓	✓	✓						✓	✓					
A	1108125																								
	1108126																								
	1108127																								
	1108128																								
	1108129	✓	✓	✓	✓	✓					✓	✓	✓							✓	✓				
	1108130																								
	1108131																								
	1108132																								
B	1108133																								
	1108134																								
	1108175																								
	1108176																								
	1108177	✓	✓	✓	✓	✓					✓	✓	✓												
	1108178																								
	1108180																								
1108181																									
1108182																									
1108183	✓	✓	✓	✓	✓	✓					✓	✓	✓												
1108184																									
1108185																									



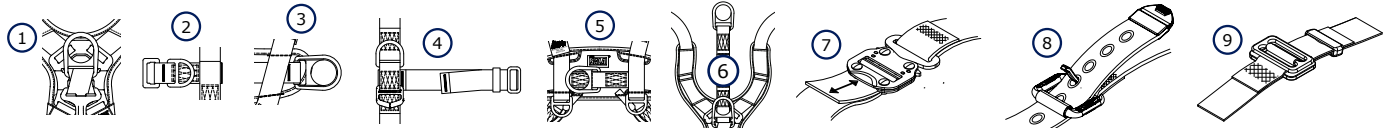
**Figura 1: Descripción general del producto**

Estilo de arnés	Modelo de arnés	ANSI	OSHA	Elementos de sujeción					Hebillas y ajustadores			Otros elementos			Protectores												
				1	2	3	4	5	6	7	8	9	10	11	12	13	14	15	16	17	18	19	20	21			
	<b>B</b> 1108190	✓	✓	✓	✓	✓				✓	✓	✓	✓	✓													
	1108192	✓	✓	✓	✓	✓	✓				✓	✓	✓	✓	✓												
	<b>C</b> 1109052	✓	✓	✓	✓						✓	✓	✓	✓				✓									
	<b>B</b> 1109107	✓	✓	✓		✓					✓	✓	✓	✓													
	1109454	✓	✓	✓							✓	✓	✓	✓	✓			✓									
	<b>A</b> 1110575 1110576 1110577 1110578 1110582 1110586 1110587 1110588 1110589 1110591		✓	✓	✓		✓					✓		✓	✓	✓					✓		✓		✓		✓
	1110600 1110601	✓	✓	✓							✓		✓	✓	✓	✓											
	1110602	✓	✓	✓		✓					✓		✓	✓	✓												
	1110603 1110605 1110606	✓	✓	✓							✓		✓	✓	✓												
	<b>B</b> 1110608	✓	✓	✓		✓					✓		✓	✓	✓												
1110618	✓	✓	✓							✓		✓	✓	✓													
1110625 1110626 1110627 1110628	✓	✓	✓		✓					✓		✓	✓	✓													
1110629 1110630 1110631 1110632 1110633	✓	✓	✓							✓		✓	✓	✓												✓	
<b>C</b> 1110700 1110701 1110702 1110704		✓	✓	✓	✓					✓		✓	✓	✓													
1110725 1110726 1110727	✓	✓	✓	✓	✓					✓		✓	✓	✓													



**Figura 1: Descripción general del producto**

Estilo de arnés	Modelo de arnés	ANSI	OSHA																					
				Elementos de sujeción											Hebillas y ajustadores			Otros elementos			Protectores			
				1	2	3	4	5	6	7	8	9	10	11	12	13	14	15	16	17	18	19	20	21
	1111000 1111001 1111002 1111003 1111004	✓	✓	✓	✓	✓						✓				✓	✓			✓	✓	✓		
	1111100 1111101 1111102 1111103 1111104 1111102H	✓	✓	✓						✓		✓	✓	✓		✓	✓							
	1112050	✓	✓	✓	✓							✓	✓	✓		✓	✓			✓	✓			
	1112052	✓	✓	✓								✓	✓	✓		✓	✓							
	1112082	✓	✓	✓		✓							✓	✓		✓	✓							
	1112125 1112126 1112127 1112128		✓	✓	✓									✓	✓		✓	✓						
	1112156 1112152H 1112155H 1112156H	✓	✓	✓		✓		✓		✓	✓	✓		✓	✓		✓	✓						
	1112171	✓	✓	✓									✓	✓	✓		✓	✓						
	1112173 1112175 1112177 1112178	✓	✓	✓	✓	✓							✓	✓	✓		✓	✓			✓	✓	✓	
	1112228	✓	✓	✓	✓								✓		✓		✓	✓						
	1112375 1112376 1112377	✓	✓	✓	✓								✓		✓		✓	✓						
	1112401 1112402	✓	✓	✓	✓	✓							✓		✓		✓	✓						
	1112650 1112651 1112653 1112654	✓	✓	✓	✓	✓		✓	✓		✓	✓	✓	✓		✓				✓	✓	✓	✓	
	1112692 1112693 1112694 1112695 1112696	✓	✓	✓	✓	✓		✓	✓		✓	✓	✓	✓		✓	✓			✓	✓	✓	✓	



## ES INFORMACIÓN DE SEGURIDAD

Lea, comprenda y siga toda la información de seguridad contenida en estas instrucciones antes de usar este producto. **DE NO HACERLO, PUEDEN PRODUCIRSE LESIONES O LA MUERTE.**

Estas instrucciones deben proporcionarse al usuario del equipo. Conserve todas las instrucciones para consultas futuras.

### Uso previsto:

Este producto se utiliza como parte de un sistema completo de protección contra caídas.

3M no aprueba su uso para ninguna otra aplicación, incluidas, entre otras, la manipulación de materiales, las actividades de recreación o relacionadas con el deporte, u otras actividades no descritas en estas instrucciones, ya que podrían ocasionarse lesiones graves o la muerte.

Este producto solo debe ser utilizado por usuarios capacitados en aplicaciones en el lugar de trabajo.

### ADVERTENCIA

Este producto se utiliza como parte de un sistema completo de protección contra caídas. Todos los usuarios deben estar completamente capacitados en la instalación y operación seguras de su sistema completo de protección contra caídas. **El uso indebido de este producto podría provocar lesiones graves o la muerte.** Para una selección, operación, instalación, mantenimiento y servicio adecuados, consulte todos los manuales de instrucciones y las recomendaciones del fabricante. Para obtener más información, consulte a su supervisor o comuníquese con el Servicio Técnico de 3M.

- **Siga estos pasos para reducir los riesgos asociados al trabajo con un arnés de cuerpo completo que, de no evitarse, podrían ocasionar lesiones graves o la muerte:**
  - Inspeccione el producto antes de cada uso y después de cualquier caída, de acuerdo con los procedimientos especificados en estas instrucciones.
  - Si la inspección revela una condición poco segura o defectuosa, retire el producto de servicio inmediatamente y rotúelo claramente con "NO USAR". Destruya o repare el producto según lo requieran estas instrucciones.
  - Cualquier producto que haya estado sujeto a detención de caídas o fuerza de impacto debe retirarse inmediatamente de servicio. Destruya o repare el producto según lo requieran estas instrucciones.
  - Asegúrese de que los sistemas de protección contra caídas ensamblados a partir de componentes fabricados por diferentes fabricantes sean compatibles y cumplan con todas las regulaciones, estándares o requisitos vigentes de protección contra caídas. Consulte siempre a una persona calificada o competente antes de usar estos sistemas.
  - Asegúrese de que la línea de vida se mantenga libre de todos los peligros, incluidos, entre otros: enredos con usuarios, otros trabajadores, maquinaria en movimiento, otros objetos circundantes o impacto de objetos por sobre la cabeza que podrían caer sobre la línea de vida o los usuarios.
  - No retuerza, ate, anude ni deje holgura en la línea de vida.
  - No retuerza, ate ni anude el producto.
  - No exceda la cantidad de usuarios permitidos especificada en estas instrucciones.
  - Asegúrese de que el arnés sea del tamaño adecuado y se pueda ajustar, colocar y utilizar como se describe en estas instrucciones.
  - Asegúrese de que el producto esté configurado e instalado correctamente para un funcionamiento seguro, como se describe en estas instrucciones.
  - Tenga cuidado al instalar, usar o mover el producto, ya que las piezas móviles pueden crear puntos de pellizco.
- **Para reducir los riesgos asociados con el trabajo en altura que, en caso de no evitarse, podrían ocasionar lesiones graves o muerte:**
  - Su salud y condición física deben permitirle trabajar en altura de manera segura y resistir todas las fuerzas asociadas con un evento de detención de caídas. Consulte a su médico si tiene preguntas sobre su capacidad para utilizar este equipo.
  - Nunca exceda la capacidad permitida del equipo de protección contra caídas.
  - Nunca exceda la distancia máxima de caída libre especificada para su equipo de protección contra caídas.
  - No utilice ningún equipo de protección contra caídas que no pase la inspección o si tiene dudas sobre el uso o la adecuación del equipo. Comuníquese con los Servicios Técnicos de 3M si tiene preguntas.
  - Algunas combinaciones de sistemas secundarios y componentes pueden interferir en el funcionamiento de este equipo. Utilice solamente conexiones compatibles. Comuníquese con el Servicio Técnico de 3M antes de usar este equipo en combinación con componentes o sistemas secundarios distintos a los descritos en estas instrucciones.
  - Tome precauciones adicionales cuando trabaje cerca de maquinaria en movimiento, peligros eléctricos, temperaturas extremas, peligros químicos, gases explosivos o tóxicos, bordes afilados, superficies abrasivas o debajo de materiales elevados que puedan caer sobre usted o su equipo de protección contra caídas.
  - Asegúrese de que el uso de su producto esté clasificado para los peligros presentes en su entorno de trabajo.
  - Asegúrese de que haya suficiente espacio libre de caída cuando trabaje en altura.
  - Nunca modifique ni altere el equipo de protección contra caídas. Solo 3M, o las personas autorizadas por escrito por 3M, pueden reparar el equipo 3M.
  - Antes de usar el equipo de protección contra caídas, asegúrese de contar con un plan de rescate por escrito para brindar un rescate rápido si se produce un incidente de caída.
  - Si se produce un incidente de caída, busque atención médica de inmediato para el trabajador que haya sufrido la caída.
  - Utilice únicamente un arnés de cuerpo completo para aplicaciones de detención de caídas. No use un cinturón corporal.
  - Minimice las caídas pendulares trabajando lo más directamente posible debajo del punto de anclaje.
  - Se debe utilizar un sistema secundario de protección contra caídas al entrenar con este producto. Los alumnos no deben estar expuestos a un peligro de caída involuntaria.
  - Utilice siempre el equipo de protección personal adecuado al instalar, utilizar o inspeccionar el producto.
  - Nunca trabaje debajo de una carga o un usuario suspendido.
  - Mantenga siempre un amarre total.



✓ Siempre asegúrese de estar utilizando la última versión de su manual de instrucciones de 3M. Visite el sitio [www.3m.com/userinstructions](http://www.3m.com/userinstructions) o comuníquese con el Servicio Técnico de 3M para obtener manuales de instrucciones actualizados.

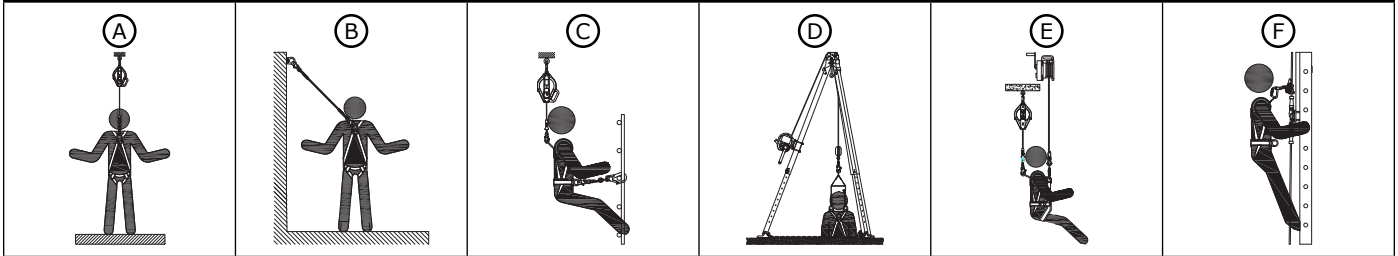
## DESCRIPCIÓN GENERAL DEL PRODUCTO:

La Figura 1 muestra los modelos disponibles de arnés de cuerpo completo Delta™ de 3M™. Los modelos de arneses se definen por su construcción en general y las características disponibles. En la Figura 1, el "Estilo de arnés" muestra la confección general y el "Modelo de arnés" clasifica los modelos primero numéricamente, luego por características disponibles.

Los arneses están disponibles con varias combinaciones de los componentes enumerados en la Tabla 1. Los "Elementos de sujeción" sirven como puntos de conexión para asegurar un subsistema de conexión. Las "Hebillas y ajustadores" permiten asegurar y ajustar el arnés para un calce adecuado. En "Otros elementos" se incluyen características varias que sirven para distintos propósitos. Las "Almohadillas" ayudan a que el arnés sea cómodo.

Consulte la Tabla 1 para obtener más información sobre las especificaciones de los componentes.

**Figura 2: Aplicaciones del sistema**



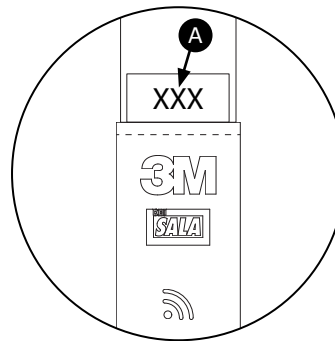
### Aplicaciones del sistema

Los arneses de cuerpo completo se pueden utilizar para varias aplicaciones del sistema. La Figura 2 muestra las aplicaciones disponibles para los arneses cubiertos por estas instrucciones. La disponibilidad de una aplicación específica viene determinada por los elementos de sujeción presentes en su arnés, como se indica a continuación. Si su arnés tiene uno de los elementos de sujeción especificados para una aplicación, entonces puede utilizar ese elemento para esa aplicación.

	Tipo de aplicación	Elementos de sujeción
(A)	Detención de caídas	Dorsal, esternal, delantero
(B)	Restricción	Dorsal, esternal, delantero, cadera, cintura trasera
(C)	Posicionamiento de trabajo	Delantero, cadera
(D)	Rescate	Dorsal, esternal, delantero, para hombro
(E)	Descenso controlado	Dorsal, esternal, delantero
(F)	Ascenso	Dorsal, esternal

### Tamaños de arnés disponibles

La Figura 1 agrupa los modelos de arnés según las funciones. Todos los modelos de arnés dentro del mismo grupo incluyen las mismas características, aunque varían en las opciones de tamaño. Para determinar el tamaño de su arnés, consulte las etiquetas del producto. A continuación, se muestra un ejemplo de etiqueta (A). Los códigos de tamaño se identifican en la leyenda "Códigos de tamaño del producto".



Códigos de tamaño de producto	
<b>XS</b>	Extra pequeño
<b>S</b>	Pequeño
<b>M</b>	Mediano
<b>L</b>	Grande
<b>XL</b>	Extra grande
<b>2XL</b>	Extra grande (x2)
<b>3XL</b>	Extra grande (x3)

### Capacidad del arnés

El usuario de este arnés de cuerpo completo debe tener un peso combinado (que incluya ropa, herramientas, etc.) que cumpla con los requisitos establecidos por el estándar o la regulación vigentes. Asegúrese siempre de que el arnés de cuerpo completo esté ajustado para que se adapte correctamente al usuario.

<b>ANSI</b>	130 lb a 310 lb (59 kg a 140 kg)
<b>OSHA</b>	Hasta 420 lb (190 kg)

Antes de utilizar este equipo, anote la información de identificación del producto que figura en la etiqueta de identificación en la "Hoja de registro de inspección y mantenimiento" al final de este manual.

**Tabla 1: Especificaciones del producto**

<b>Especificaciones del sistema</b>	
<b>Estándares:</b>	Cada modelo del producto está certificado por los estándares y regulaciones vigentes que se enumeran en la Figura 1 o cumple con estos. Si no se especifica ninguno, se aplicarán todos los estándares y regulaciones que figuran en la portada.
<b>Longitud de la extensión con anillo en D:</b>	1,5 pies (45,7 cm)

<b>Especificaciones de los componentes</b>			
<b>Figura 1: Categoría</b>	<b>Referencia de la Figura 1</b>	<b>Descripción</b>	<b>Materiales</b>
Elementos de sujeción	①	Anillo en D dorsal	Aleación de aluminio: resistencia a la tracción de 22,2 kN (5000 lbf)
	②	Anillo en D esternal	Aleación de aluminio: resistencia a la tracción de 22,2 kN (5000 lbf)
	③	Anillos en D de cadera	Aleación de aluminio: resistencia a la tracción de 22,2 kN (5000 lbf)
	④	Anillos para hombros	Aleación de aluminio: resistencia a la tracción de 22,2 kN (5000 lbf)
	⑤	Anillo en D posterior de la cintura	Aleación de aluminio: resistencia a la tracción de 22,2 kN (5000 lbf)
	⑥	Extensión con anillo en D (dorsal)	Aleación de aluminio: resistencia a la tracción de 22,2 kN (5000 lbf)
Hebillas y ajustadores	⑦	Hebillas de conexión rápida	Aleación de aluminio, acero inoxidable y aleación de acero: resistencia a la tracción de 18 kN (4000 lbf)
	⑧	Hebillas de pasador	Acero y aleación de acero: resistencia a la tracción de 18 kN (4000 lbf)
	⑨	Hebillas pasantes	Aleación de acero: resistencia a la tracción de 18 kN (4000 lbf)
	⑩	Ajustadores Revolver	Aleación de aluminio, acero inoxidable, aleación de acero y nailon: resistencia a la tracción de 18 kN (4000 lbf)
	⑪	Ajustadores tipo paracaídas	Acero de aleación: resistencia a la tracción de 18 kN (4000 lbf)
Otros elementos	⑫	Correa de protección contra traumatismo por suspensión	Entretejido de seguridad de poliéster
	⑬	Presilla de eslinga	Nailon moldeado
	⑭	Eslinga para asiento	Entretejido de seguridad de poliéster
	⑮	Lazo de SRD	Entretejido de seguridad de poliéster
	⑯	Lazo de engranaje	Entretejido de seguridad de poliéster
	⑰	Cinturón	Entretejido de seguridad de poliéster
Protectores	⑱	Almohadilla para la espalda y hombros	Mezcla de nailon y poliéster
	⑲	Protector de cadera	Mezcla de nailon y poliéster
	⑳	Almohadillas para las piernas	Mezcla de nailon y poliéster
	㉑	Almohadillas para hombros	Mezcla de nailon y poliéster

**Materiales adicionales**

<b>Descripción</b>	<b>Materiales</b>
Entretejido de seguridad	Poliéster: resistencia a la tracción de 27 kN (6000 lbf) Nailon: resistencia a la tracción de 31 kN (7000 lbf) Kevlar cubierto con Nomex: resistencia a la tracción de 31 kN (7,000 lbf)
Costura	Hilo de poliéster en entretejido de seguridad de poliéster Hilo de nailon en entretejido de seguridad de nailon Hilo Kevlar en entretejido de seguridad Kevlar
Cubiertas de etiquetas	Mezcla de nailon y poliéster; Kevlar cubierto de Nomex

<b>Especificaciones de rendimiento</b>	
<b>Distancia máxima de caída libre:</b>	Consulte el manual de instrucciones de su sistema secundario de conexión para obtener más información sobre los requisitos de Distancia máxima de caída libre.
<b>Fuerza máxima de detención:</b>	Consulte el manual de instrucciones de su sistema secundario de conexión para obtener más información sobre los requisitos de la Fuerza máxima de detención.
<b>Estiramiento máximo del arnés:</b>	1,5 pies (45,7 cm)

## 1.0 APLICACIÓN DEL PRODUCTO

- 1.1 FINALIDAD:** Los arneses de cuerpo completo proporcionan a los usuarios los medios para conectarse a los sistemas de protección contra caídas. Los elementos de sujeción del arnés de cuerpo completo sirven como puntos de conexión para el sistema secundario de conexión, que asegura al usuario a un punto de anclaje. Los arneses de cuerpo completo se pueden utilizar para una variedad de sistemas de protección contra caídas. La aplicación del sistema está determinada por la marca de su arnés de cuerpo completo y los elementos de sujeción presentes en su arnés. Consulte la "Descripción general del producto" y la Figura 2 para obtener una lista completa de las aplicaciones de protección contra caídas disponibles para su modelo de arnés de cuerpo completo.
- 1.2 ESTÁNDARES:** Su producto cumple con los estándares nacionales o regionales identificados en la portada de estas instrucciones. Si este producto se revende fuera del país de destino original, el revendedor debe proporcionar estas instrucciones en el idioma del país en el que se usará el producto.

Para obtener más información sobre los requisitos de certificación o conformidad, consulte los estándares y las regulaciones vigentes relacionados con su producto (por ejemplo, los códigos de protección contra caídas ANSI/ASSP Z359).

- 1.3 CAPACITACIÓN:** la instalación y el uso de este equipo deben estar a cargo de personas capacitadas en su correcta aplicación. Estas instrucciones deben usarse como parte de un programa de capacitación de empleados tal como lo exigen los estándares nacionales, estatales o locales. El usuario y quienes instalen este equipo tienen la responsabilidad de familiarizarse con estas instrucciones, capacitarse en su cuidado y uso correctos, además de informarse sobre las características operativas, los límites de aplicación y las consecuencias del uso incorrecto.
- 1.4 PLAN DE RESCATE:** Al usar este equipo y conectar los sistemas secundarios, el empleador debe tener un plan de rescate escrito y los medios para implementar y comunicar ese plan a los usuarios, personas autorizadas y responsables del rescate. Se recomienda la presencia de un equipo de rescate capacitado en el sitio. Los miembros del equipo deben contar con el equipo y las técnicas necesarios para realizar un rescate exitoso. Se debe proporcionar capacitación periódicamente para garantizar la competencia del responsable del rescate. Los responsables del rescate deben recibir estas instrucciones. Debe haber contacto visual o medios de comunicación con la persona que está siendo rescatada en todo momento durante el proceso de rescate.

## 2.0 REQUISITOS DEL SISTEMA

- 2.1 CAPACIDAD:** La capacidad de usuarios de un sistema completo de protección contra caídas está limitada por su componente de capacidad máxima con la calificación más baja. Por ejemplo, si su sistema secundario de conexión tiene una capacidad inferior a su arnés, debe cumplir con los requisitos de capacidad de su sistema secundario de conexión. Consulte las instrucciones del fabricante para cada componente de su sistema para conocer los requisitos de capacidad.
- 2.2 SISTEMAS SECUNDARIOS DE CONEXIÓN:** Los subsistemas de conexión (dispositivos autorretráctiles, eslingas absorbentes de energía, subsistemas de línea de vida, etc.) deben ser adecuados para su aplicación. Consulte las instrucciones del fabricante del subsistema para obtener información adicional.
- 2.3 PELIGROS AMBIENTALES:** El uso de este equipo en áreas que presentan peligros ambientales puede precisar la aplicación de precauciones adicionales para evitar lesiones al usuario o daños al equipo. Estos pueden incluir, pero no se limitan a: calor elevado, sustancias químicas, entornos corrosivos, líneas de alta tensión, gases explosivos o tóxicos, maquinaria en movimiento, bordes afilados o materiales ubicados sobre el nivel de la cabeza que podrían caer y entrar en contacto con el usuario o el equipo. Comuníquese con el departamento de Servicios Técnicos de 3M si necesita mayores aclaraciones.
- 2.4 SUSPENSIÓN PROLONGADA:** Un arnés de cuerpo completo no debe usarse en aplicaciones de suspensión prolongada. La suspensión prolongada puede ocasionar un traumatismo por suspensión. Si el usuario va a ser suspendido por un período prolongado de tiempo, se recomienda utilizar algún tipo de soporte a modo de asiento. 3M recomienda una tabla de asiento, asiento de trabajo para suspensión, eslinga para asiento o una silla para escalar. Comuníquese con el departamento de Servicios Técnicos de 3M para obtener más información.
- 2.5 COMPATIBILIDAD DE LOS COMPONENTES:** Los equipos de 3M están diseñados para su uso con equipos de 3M. Una persona competente debe supervisar el uso de equipos que no sean de 3M. Las sustituciones realizadas con equipos no aprobados pueden poner en peligro la compatibilidad del equipo y afectar a la seguridad y confiabilidad de su sistema de protección contra caídas. Lea y siga todas las instrucciones y advertencias de todos los equipos antes de utilizarlos.
- 2.6 COMPATIBILIDAD DE LOS CONECTORES:** Los conectores son compatibles con los elementos de conexión cuando el tamaño y la forma de cualquiera de los componentes no hacen que el conector se abra accidentalmente, sin importar su orientación. Los conectores deben cumplir con los estándares vigentes. Los conectores deben estar completamente cerrados y bloqueados durante el uso.

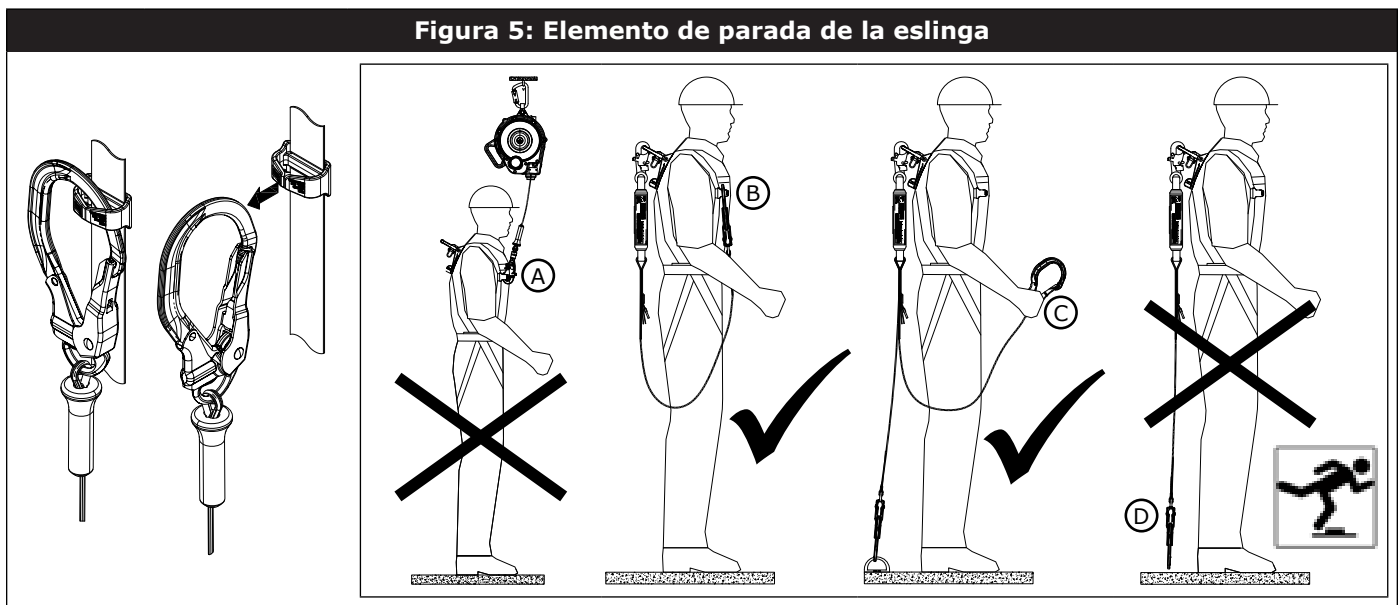
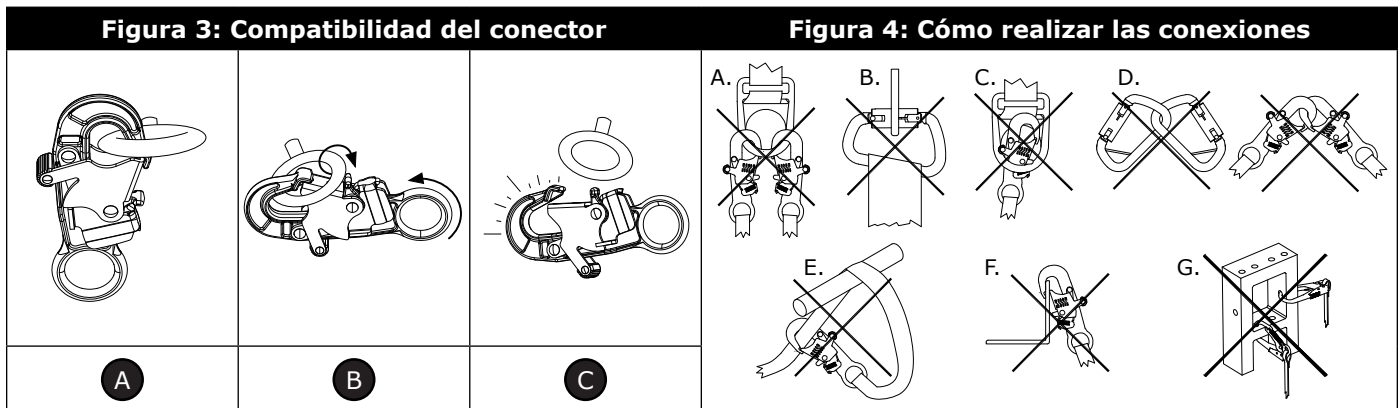
Los conectores de 3M (ganchos de seguridad y mosquetones) están diseñados para el uso exclusivo que se especifica en los manuales de instrucciones. Asegúrese de que los conectores sean compatibles con los componentes del sistema a los que están conectados. No use un equipo que no sea compatible. El uso de componentes no compatibles puede hacer que el conector se desconecte involuntariamente (consulte la Figura 3). Si el elemento de conexión al que se fija un conector es más pequeño que lo debido o es de forma irregular, podría surgir una situación en la que el elemento de conexión aplicara una fuerza a la hebilla del conector (A). Esta fuerza podría hacer que la hebilla se abra (B), desconectando el conector del elemento de conexión (C).

**2.7 CÓMO REALIZAR CONEXIONES:** Las conexiones deben ser compatibles en tamaño, forma y resistencia. Consulte la Figura 4 para obtener ejemplos de conexiones incorrectas. Los ganchos de seguridad y mosquetones no deben sujetarse:

- A. A un anillo en D al que esté conectado otro conector.
- B. De manera tal que se produzca una carga sobre la abertura. Los ganchos de seguridad de garganta grande no deben conectarse a anillos en D u otros elementos de conexión de tamaño estándar, a menos que dicho gancho de seguridad tenga una hebilla con una resistencia de 16 kN (3600 lbf) o mayor.
- C. En un enganche falso, en el que el tamaño o la forma del conector o del elemento de conexión no son compatibles, y sin confirmación visual, los conectores parecen estar completamente enganchados.
- D. Entre sí.
- E. Directamente al entretejido de seguridad o a la eslinga de sogas o al material de la amarra, a menos que los manuales de instrucciones de la eslinga y el conector permitan específicamente dicha conexión.
- F. A cualquier objeto cuyo tamaño o forma no permita que el conector se cierre y bloquee por completo, o que pueda provocar que el conector se suelte.
- G. De modo que impidan que el conector se alinee correctamente en condiciones de carga.

**2.8 ELEMENTOS DE SUJECIÓN PARA LA PARADA DE LA ESLINGA:** La Figura 5 muestra la parada de la eslinga. El elemento de sujeción para la parada de la eslinga se emplea para fijar el extremo libre de una eslinga o dispositivo autorretráctil montado en un arnés cuando no esté conectado a un punto de conexión del anclaje para brindar protección contra caídas. Los elementos de sujeción para la parada de la eslinga nunca deben usarse como un elemento de sujeción para brindar protección contra caídas en el arnés para su conexión a una eslinga o dispositivo autorretráctil (A).

Cuando no está conectado a un punto de conexión de anclaje, el punto de apoyo de una eslinga debe pararse adecuadamente en el arnés (B) o asegurarse en la mano del usuario como en las aplicaciones de amarre al 100 por ciento (C). Los puntos de apoyo de la eslinga que cuelgan libremente (D) pueden hacer tropezar al usuario o engancharse en los objetos circundantes y provocar una caída.



### 3.0 INSTALACIÓN

**3.1 ASPECTOS GENERALES:** Los arneses de cuerpo completo se deben utilizar como parte de un sistema de protección contra caídas. Asegúrese de que cada componente de su sistema de protección contra caídas esté instalado según las instrucciones del fabricante.

**3.2 PLANIFICACIÓN:** Planifique su sistema de protección contra caídas antes de la instalación. Tenga en cuenta todos los factores que pueden afectar su seguridad antes, durante y después de una caída. Evalúe todos los requisitos y limitaciones que se especifican en estas instrucciones.

- A. ANCLAJE:** Seleccione un anclaje compatible con los requisitos de carga estática de la aplicación de protección contra caídas prevista. Consulte las instrucciones del fabricante de cada componente que forma parte de su sistema de protección contra caídas para obtener más información. La ubicación del anclaje debe cumplir con todos los requisitos especificados en estas instrucciones.
- B. BORDES AFILADOS:** Evite trabajar donde los componentes del sistema puedan estar en contacto o raspar con bordes afilados desprotegidos y superficies abrasivas. Todos los bordes afilados y las superficies abrasivas deben cubrirse con material protector.
- C. SISTEMAS SECUNDARIOS DE CONEXIÓN:** Los sistemas secundarios de conexión utilizados con el arnés deben ser adecuados para la aplicación de su sistema. Para obtener más información, consulte la Descripción general del producto y la Figura 2, así como las instrucciones del fabricante de su sistema secundario de conexión.
- D. ESTIRAMIENTO DEL ARNÉS:** Debe esperarse cierto grado de estiramiento del arnés cuando se utiliza este producto como parte de un sistema de detención de caídas. Consulte la "Tabla 1: Especificaciones del producto" para saber cuál es el estiramiento previsto del arnés al utilizar este producto. El estiramiento del arnés debe añadirse a todos los requisitos de distancia de seguridad en caso de caída para su sistema, a menos que ya se tenga en cuenta en el sistema secundario de conexión u otro componente. Consulte las instrucciones del fabricante de su sistema secundario de conexión para obtener más información sobre los requisitos de distancia de seguridad en caso de caída.

*El estiramiento máximo del arnés debe cumplir con lo establecido por el estándar o la regulación vigentes.*

**E. EXTENSIONES CON ANILLO EN D:** Cuando se utilizan, las extensiones con anillo en D aumentan los requisitos de distancia de seguridad en caso de caída al incrementar la distancia de caída libre presente en el sistema de detención de caídas. La longitud de la extensión con anillo en D debe añadirse a todos los requisitos de distancia de seguridad en caso de caída como parte del valor de caída libre del sistema. Si existe un límite superior para la caída libre dentro del sistema, entonces el uso del sistema debe ajustarse para permanecer por debajo de ese límite. Consulte la Tabla 1 para conocer la longitud de su extensión con anillo en D. Consulte las instrucciones del fabricante de su sistema secundario de conexión para obtener más información sobre los requisitos de caída libre y de distancia de seguridad en caso de caída.

*Nunca utilice extensiones con anillo en D en aplicaciones de bordes sobresalientes.*

**3.3 HEBILLAS DE SUJECCIÓN:** Los arneses 3M están equipados con una variedad de hebillas para sujetar y ajustar las correas para las piernas y el pecho. Consulte la Figura 1 para determinar los tipos de hebillas que tiene su arnés. La Figura 6 muestra el funcionamiento de cada una de las siguientes hebillas:

#### 1. Hebillas de conexión rápida:

- A. Para ajustar la hebilla de conexión rápida:** Inserte la lengüeta en el receptor hasta que escuche un clic.
- B. Para ajustar la correa del tejido trenzado conectada:** Jale de la correa de tejido trenzado hacia delante o hacia atrás a través de la ranura de la hebilla para ajustarla o aflojarla.
- C. Para soltar la hebilla de conexión rápida:** Apriete las palancas de bloqueo a cada lado del receptor. Extraiga la lengüeta del receptor.

**2. Hebillas de pasador:** Apriete y ajuste la hebilla de pasador pasando la lengüeta cincha por el marco de la hebilla e introduciendo el clavo en el ojal deseado de la lengüeta. Asegure la correa libre en la presilla de correa.

#### 3. Hebillas pasantes:

- A. Introduzca la hebilla macho en la ranura de la hebilla hembra.
- B. Ajuste la correa libre de manera que la hebilla macho quede al ras contra la hebilla hembra. Asegure la correa libre en la presilla de correa.

**3.4 AJUSTES DEL ARNÉS:** Los arneses están equipados con dos ajustadores para torso que permiten ajustar las correas de los hombros. La Figura 7 muestra el funcionamiento de los ajustadores para torso:

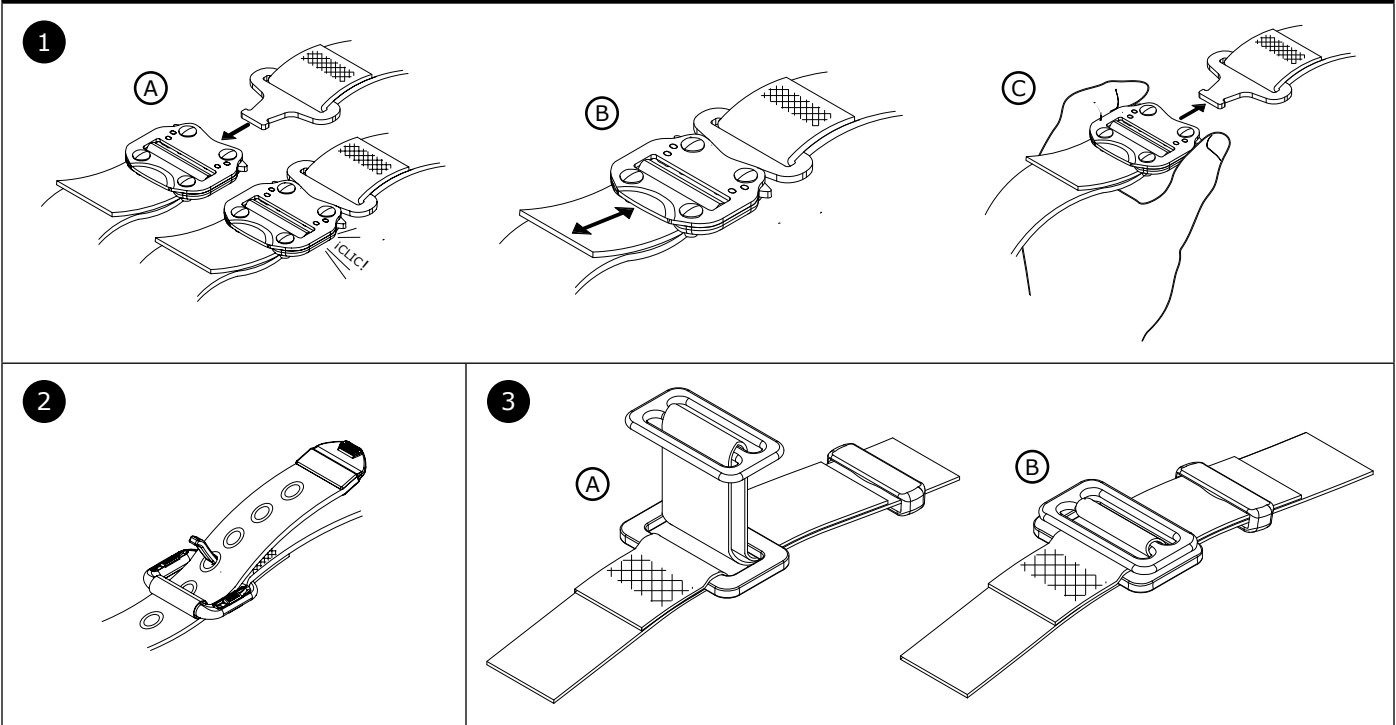
**1. Ajustadores para torso Revolver:** Para ajustar las correas para los hombros con los ajustadores para torso Revolver:

- A. Ajuste:** Gire las perillas del trinquete Revolver como se muestra en la Figura 7 para ajustar las correas para los hombros.
- B. Aflojamiento:** Saque las perillas del trinquete Revolver y gírelas como se muestra en la Figura 7 para aflojar las correas para los hombros.

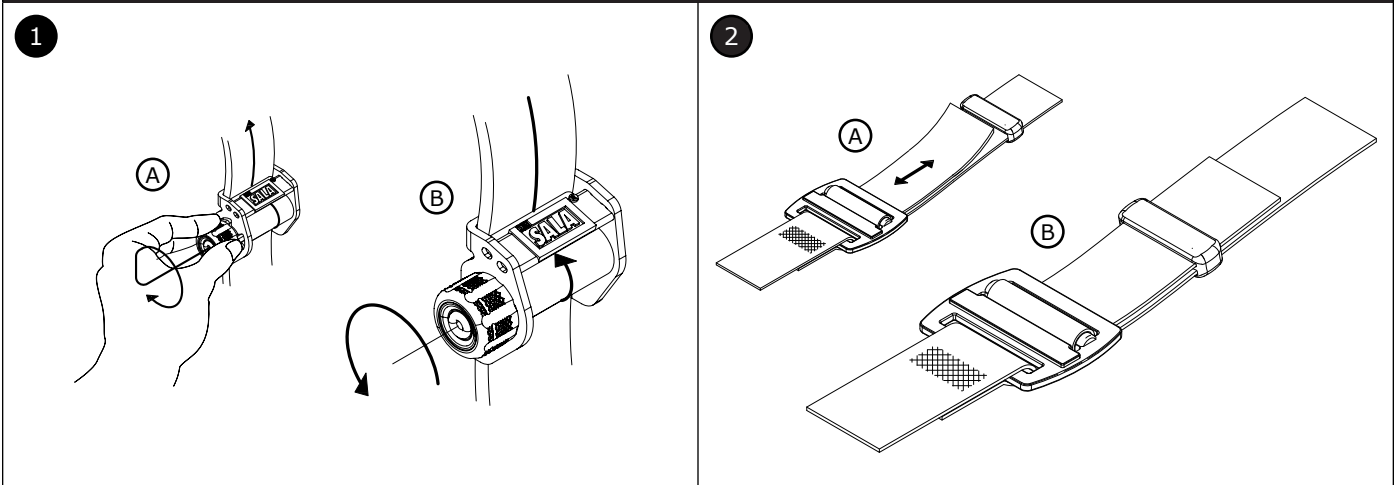
**2. Ajustadores para torso tipo paracaídas:** Para ajustar los tirantes de los hombros con los ajustadores para torso tipo paracaídas:

- A. Ajustes:** Jale de la correa libre para ajustar la correa para los hombros. Para aflojar la correa para los hombros, jale de la correa libre y luego pásela por el ajustador tipo paracaídas.
- B. Para asegurar:** Una vez ajustada correctamente, fije la correa suelta en la presilla de correa.

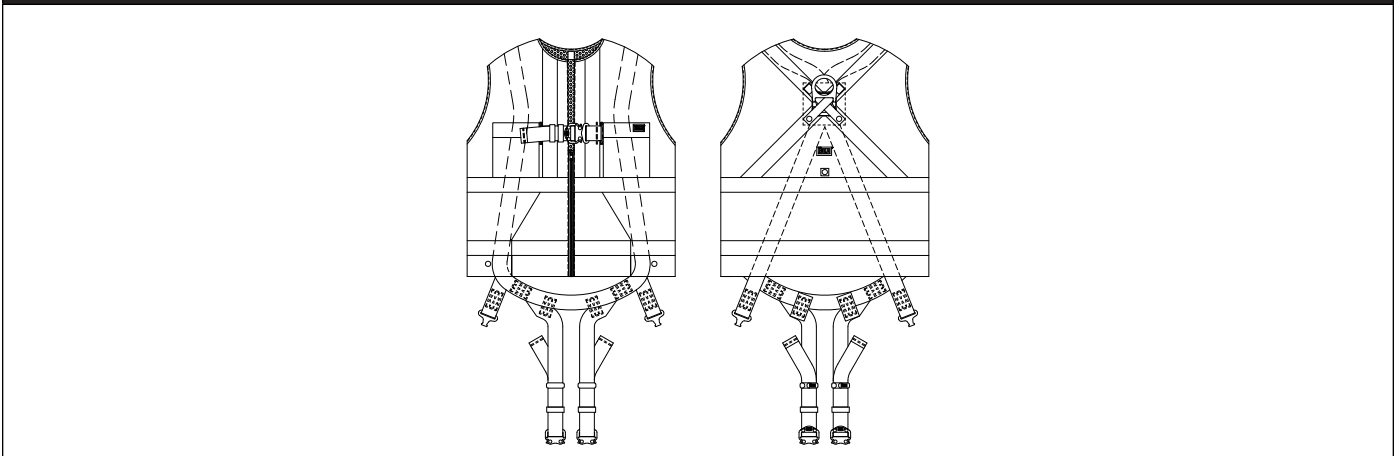
**Figura 6: Hebillas**



**Figura 7: Ajustadores**



**Figura 8: Colocación del arnés tipo chaleco**



**3.5 COLOCACIÓN Y AJUSTE DEL ARNÉS TIPO CHALECO:** La Figura 8 muestra la colocación y el ajuste del arnés tipo chaleco. Al colocarse el arnés, asegúrese de que tenga un calce ajustado pero cómodo. Para colocarse y regular el arnés:

*Los procedimientos para abrochar y ajustar las correas de su arnés variarán según el modelo de arnés. Consulte las Secciones 3.3 y 3.4 para obtener más información, así como las Figuras 6 y 7.*

1. Eleve el arnés por el anillo en D dorsal y desenrede las correas. Deje colgando las correas para las piernas.
2. Colóquese este arnés tipo chaleco como si fuera una chaqueta. No cierre la cremallera del chaleco en este momento.
3. Conecte la correa para el pecho pasando el extremo macho de la hebilla por el extremo hembra. Pase el resto del entretejido de seguridad por las presillas.
4. Tome la correa que cae entre las piernas y sujete la correa para las piernas en su lado izquierdo. Lleve la correa hacia arriba entre las piernas y conéctela a la hebilla fijada a la correa de color amarillo (naranja en los modelos de alta visibilidad, negro en los modelos resistentes al fuego). Conecte la correa para la pierna derecha siguiendo el mismo procedimiento.
5. Busque dentro del chaleco y ajuste bien las correas para los hombros hasta que calcen sin holgura. La longitud de las correas para hombros izquierda y derecha debe ser la misma. Vuelva a apretar las correas para las piernas, para el pecho y para los hombros según sea necesario para que calcen sin holgura.
6. Cierre la cremallera del chaleco.

**3.6 COLOCACIÓN Y AJUSTE DEL ARNÉS DE CUERPO COMPLETO:** La Figura 9 muestra la colocación y ajuste del arnés de cuerpo completo. Al colocarse el arnés, asegúrese de que tenga un calce ajustado pero cómodo. Para colocarse y regular el arnés:

*Los procedimientos para abrochar y ajustar las correas de su arnés variarán según el modelo de arnés. Consulte las Secciones 3.3 y 3.4 para obtener más información, así como las Figuras 6 y 7.*

*Si su arnés incorpora presillas para colocar un cinturón desmontable, pase el cinturón por las cuatro presillas (A) del arnés, como se ilustra en la Figura 10. Si desea utilizar el protector para la cadera, pase el cinturón por sus presillas.*

1. Levante el arnés y sujételo por el anillo en D dorsal. Evite que las correas del arnés se enrosquen mediante los siguientes pasos.
2. Tome las correas para los hombros y pásese el arnés por un brazo. El anillo en D dorsal debe quedar colocado sobre su espalda. Asegúrese de que las correas del arnés no estén enredadas y que cuelguen libremente. Deslice el brazo libre por el arnés y colóquese las correas para los hombros sobre ellos. Cuando estén correctamente colocadas, la correa para el pecho y su hebilla quedarán en la parte de adelante.
3. Tome la correa que cae entre las piernas y sujétela en su lado derecho. Suba la correa entre las piernas y conéctela a la hebilla de acoplamiento de la cadera derecha. Ajuste la correa para las piernas para logra un calce ajustado pero cómodo. Cuando esté correctamente ajustada, coloque el extremo suelto de la correa para las piernas debajo de la presilla de la correa.  
Repita este proceso para abrochar y ajustar la correa de la pierna izquierda.
4. Si está presente, ajuste y abroche el cinturón para la cintura con hebilla de pasador.
5. Abroche y ajuste la correa para el pecho. La correa para el pecho debe estar aproximadamente a una distancia de 6 in (15 cm) por debajo de la parte superior de los hombros. Cuando esté correctamente ajustada, coloque el extremo suelto de la correa para el pecho debajo de la presilla de la correa.
6. Ajuste las correas para los hombros para lograr un calce ajustado pero cómodo con los ajustadores para torso. Cada correa para los hombros debe ajustarse a la misma longitud. La correa para el pecho debe estar centrada en la parte inferior del pecho, aproximadamente a 6,0 in (15 cm) por debajo de los hombros. El anillo en D dorsal debe estar centrado entre los omóplatos. El anillo en D esternal, si está presente, debe ubicarse lateralmente a una distancia de 2,0 in (51 mm) de la línea central vertical del arnés.

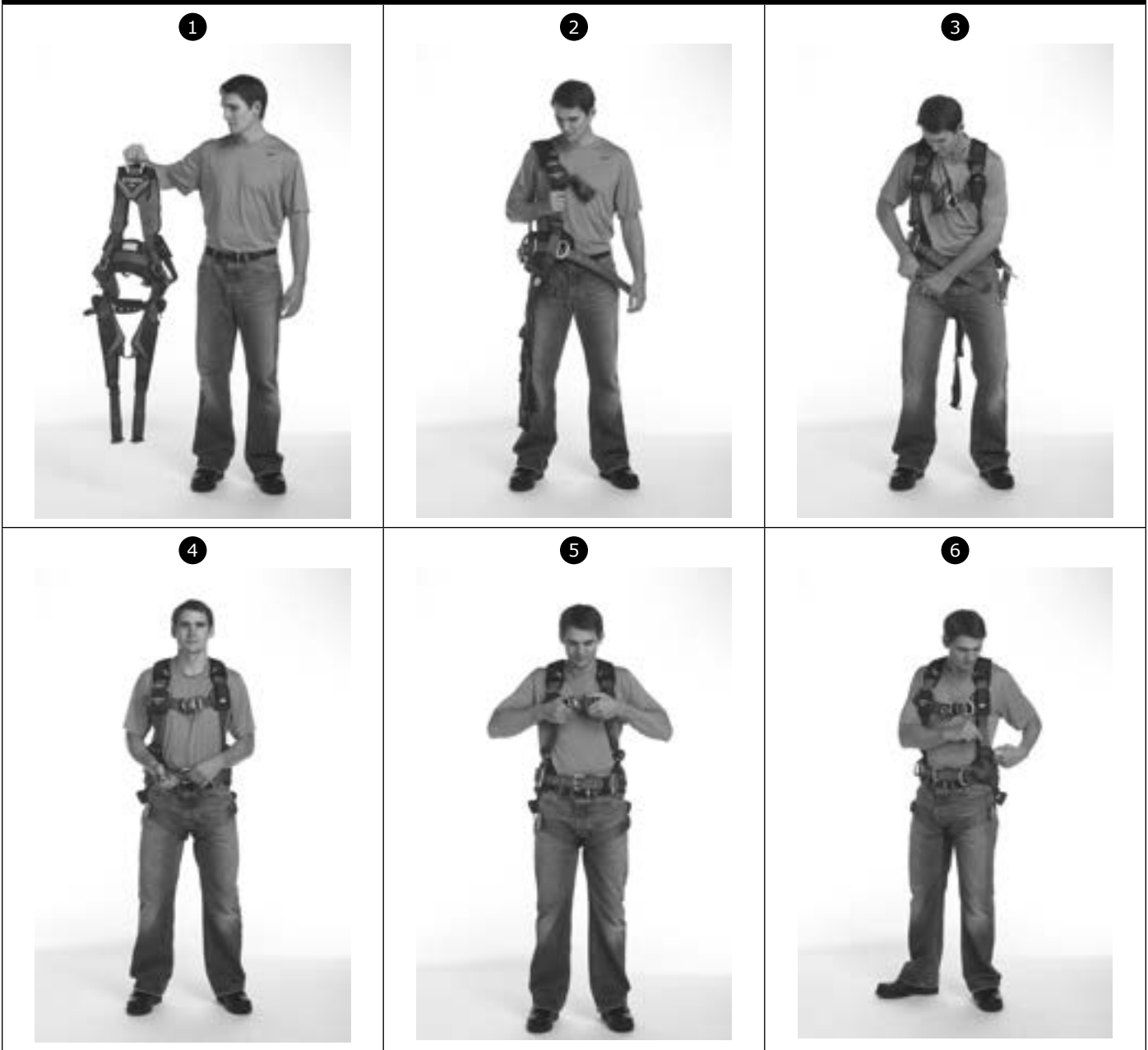
**3.7 COLOCACIÓN Y AJUSTE DEL ARNÉS TIPO CRUZADO:** La Figura 11 muestra la colocación y el ajuste del arnés tipo cruzado. Al colocarse el arnés, asegúrese de que tenga un calce ajustado pero cómodo. Para colocarse y regular el arnés:

*Los procedimientos para abrochar y ajustar las correas de su arnés variarán según el modelo de arnés. Consulte las Secciones 3.3 y 3.4 para obtener más información, así como las Figuras 6 y 7.*

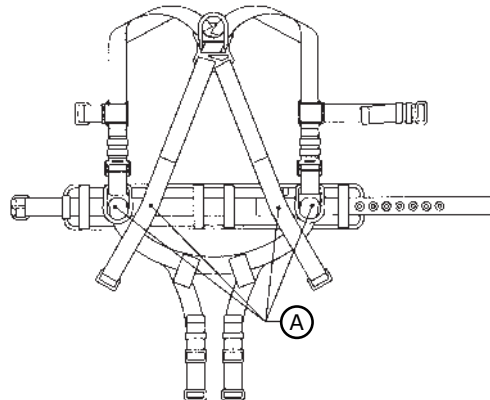
*Si su arnés incorpora presillas para colocar un cinturón desmontable, pase el cinturón por las cuatro presillas (A) del arnés, como se ilustra en la Figura 12. Si desea utilizar el protector para la cadera, pase el cinturón por sus presillas.*

1. Ubique el anillo en D dorsal fijo en su posición por la almohadilla del anillo en D. Levante el arnés con la ayuda de este anillo en D. Asegúrese de que las correas no estén retorcidas.
2. Tome las correas para los hombros entre los anillos en D de la espalda y frontal, y pásese el arnés por encima de la cabeza. Colóquese las correas para los hombros sobre ellos. Asegúrese de que las correas no estén enredadas y que cuelguen libremente. Cuando esté correctamente colocado, los anillos en D le quedarán sobre la espalda y el pecho.
3. Sujete la hebilla por debajo del anillo en D frontal y conéctelo. Asegúrese de que las correas no estén enredadas ni cruzadas.
4. Tome la correa azul que cae entre las piernas y sujétela en su lado izquierdo. Suba la correa entre las piernas y conéctela a la hebilla. Repita este procedimiento para el lado derecho.
5. Ajuste las correas para los hombros a fin de lograr un calce sin holgura. Los lados derecho e izquierdo de las correas para los hombros deben regularse con la misma longitud y el anillo en D frontal debe estar centrado en la parte inferior del pecho. El anillo en D de la espalda debe estar centrado entre los omóplatos. Ajuste las correas para las piernas a fin de lograr un calce sin holgura. Si se colocó un cinturón, ajústese también. Centre los anillos en D de recuperación (en caso de que estén presentes) sobre cada hombro.

**Figura 9: Colocación del arnés cuerpo completo**

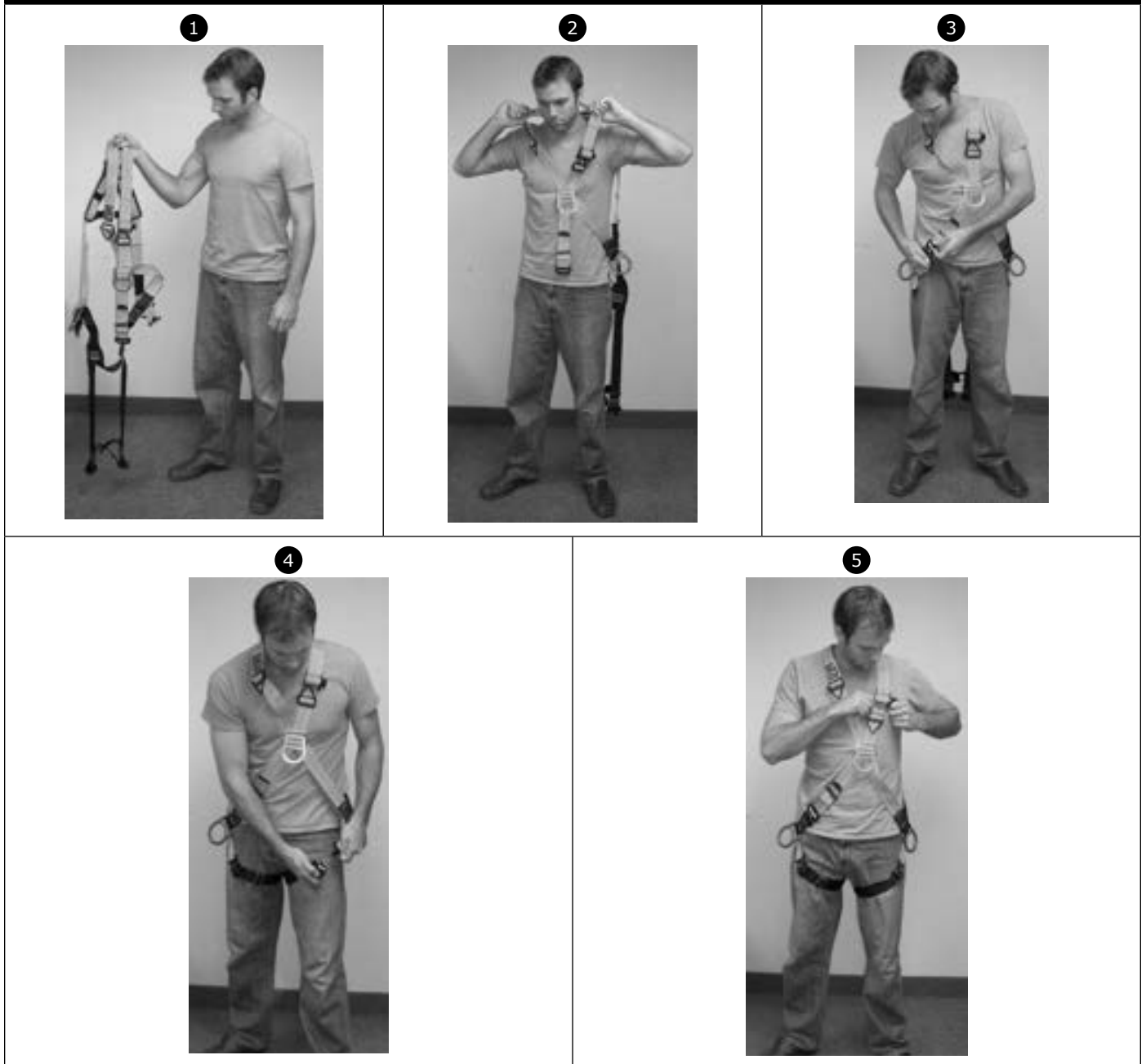


**Figura 10: Instalación del cinturón (arnés de cuerpo completo)**

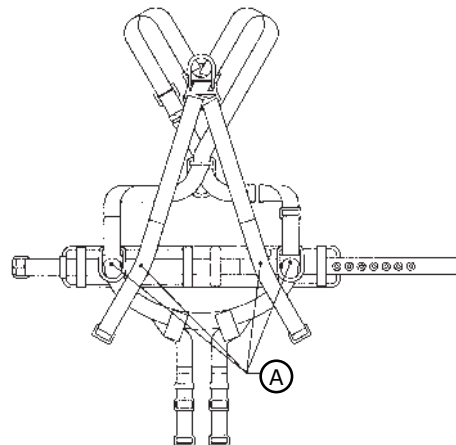




**Figura 11: Colocación del arnés tipo cruzado**



**Figura 12: Instalación del cinturón (estilo cruzado)**



**3.6 INSTALACIÓN DE UN SRD MONTADO EN EL ARNÉS:** Los SRD montados en el arnés se fijan directamente a los arneses mediante una interfaz del arnés. Las interfaces del arnés son un tipo de conector especialmente diseñado para este fin. En general, hay dos tipos de interfaz del arnés: pasador recto y mosquetón. A continuación, se proporcionan las instrucciones para cada estilo.

*Las instrucciones pueden variar según el modelo de interfaz del arnés. Para obtener más información sobre cómo utilizar la interfaz del arnés, consulte las instrucciones del fabricante de la interfaz del arnés o del producto con el que se suministró.*

*No retire la placa posterior del arnés cuando instale un SRD montado en el arnés.*

**A. INTERFAZ DE PASADOR RECTO:** Las interfaces de arnés de pasador recto incluyen un pasador de bloqueo para asegurar el arnés. Las interfaces de pasador recto se pueden utilizar con los formatos de SRD individual o doble, según la interfaz del arnés utilizada. Consulte la Figura 14 como referencia.

1. Presione los dos botones de bloqueo (A) de la parte delantera de la interfaz del arnés para abrirla. Con los botones de bloqueo presionados, retire el pasador de bloqueo (B) de la interfaz del arnés.
2. Enrosque el pasador de bloqueo (B) detrás de ambas correas del arnés (C), y sujete las correas mientras vuelve a insertar el pasador en la interfaz del arnés. Debe oírse un clic cuando los pasadores de bloqueo se vuelven a enganchar.
3. Verifique que la interfaz del arnés esté asegurada y que ambas correas del arnés (C) estén sujetas por la interfaz del arnés.

**B. INTERFAZ DE MOSQUETÓN:** Las interfaces de mosquetón son mosquetones que funcionan como interfaces del arnés. Las interfaces de mosquetón se pueden utilizar con los formatos de SRD individual o doble, aunque los métodos varían levemente. Consulte la Figura 15 como referencia, que muestra cómo instalar la interfaz de mosquetón utilizando un formato de SRD doble.

1. Abra la hebilla (A) de la interfaz de mosquetón. Deslice el SRD (C) sobre el brazo abierto (B) del mosquetón. A continuación, deslice el SRD hacia el lado opuesto del mosquetón.
2. Mantenga abierta la hebilla (A) de la interfaz de mosquetón, luego deslice el brazo abierto (B) por detrás y alrededor de ambas correas del arnés (D), y sujete las correas dentro de la interfaz de mosquetón.
3. Enrosque el segundo SRD (E) en el brazo abierto (B) de la interfaz de mosquetón. A continuación, suelte la hebilla para cerrar y asegurar la interfaz de mosquetón.
4. Verifique que la interfaz de mosquetón esté asegurada y que ambas correas del arnés (D) queden sujetas por la interfaz.

*En el caso de los formatos de SRD individual, se debe colocar solo un SRD en la interfaz de mosquetón. En este formato, la interfaz de mosquetón se puede asegurar como se ha indicado anteriormente, o directamente en su anillo dorsal en D. Si se asegura en el anillo dorsal en D, no sujete las correas del arnés.*

Algunos de los modelos de arneses cubiertos por estas instrucciones incluyen características adicionales para asegurar los SRDs montados en el arnés. A continuación, se explica cómo deben utilizarse estas funciones:

- **LAZO DE SRD:** Algunos arneses de cuerpo completo están equipados con un lazo de SRD que combina el anillo en D dorsal con elementos de sujeción para dispositivos autorretráctiles (SRD) montados en dichos arneses. La Figura 16 muestra el acoplamiento de las configuraciones habituales de SRD: (A) SRD de borde Nano-Lok™, (B) SRD doble Nano-Lok™, (C) SRD individual Nano-Lok™, (D) SRD Rebel™. Los SRD de otros fabricantes también se pueden montar en el arnés de manera similar. Consulte las instrucciones del fabricante de su SRD para obtener más información.

*Póngase en contacto con el departamento de Servicios Técnicos de 3M si tiene preguntas o sobre la compatibilidad de su SRD con el lazo de SRD.*

**3.7 DESPLIEGUE DE LAS CORREAS DE PROTECCIÓN CONTRA TRAUMATISMOS POR SUSPENSIÓN:** La Figura 17 ilustra el despliegue de las correas de protección contra traumatismos por suspensión. En caso de una caída, el trabajador caído debe usar las correas de protección contra traumatismos por suspensión para aliviar el trauma por suspensión. Para desplegar las correas de protección contra traumatismos por suspensión en su arnés:

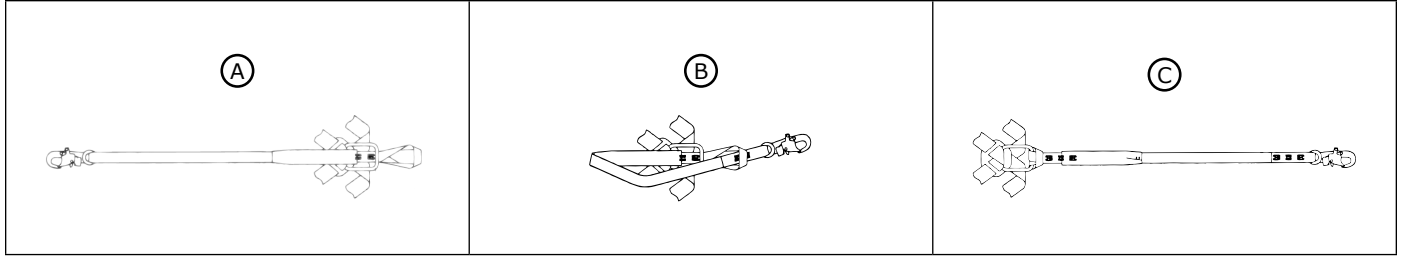
1. Ubique las correas de protección contra traumatismos por suspensión (A) en su arnés. Las correas de protección contra traumatismos por suspensión deben colocarse en un contenedor con cremallera en la parte delantera, cerca de los dos puntos de intersección de las correas para las piernas.
2. Despliegue las correas de protección contra traumatismos por suspensión abriendo los compartimentos con cremallera ubicados en los lados de los contenedores. Guíe las correas (B) desde el interior de cada contenedor a una longitud lo suficientemente larga como para que pueda pararse. Junte las dos correas y fíjelas entre sí mediante el gancho de correa (C).
3. Extienda las correas conectadas según sea necesario para crear un tramo de cinta sobre la que pueda pararse. Presione los talones a cada lado del punto de conexión y párese derecho. Esto debería transferir una cantidad considerable de peso a los pies del usuario, lo que disminuye la probabilidad de un traumatismo por suspensión.

**3.9 ASEGURAR LAS ESLINGAS CON LOS EXTREMOS DE LAZO:** Algunas eslingas están diseñadas para bloquearse sobre un lazo de tejido trenzado para proporcionar una conexión compatible. Se pueden coser eslingas directamente al lazo de tejido trenzado lo que formaría una conexión permanente. No realice varias conexiones en un lazo de tejido trenzado, a menos que se bloqueen dos eslingas en un bucle de tejido trenzado del tamaño adecuado. Consulte la Figura 13 como referencia. Para sujetar la eslinga en un lazo de tejido trenzado, haga lo siguiente:

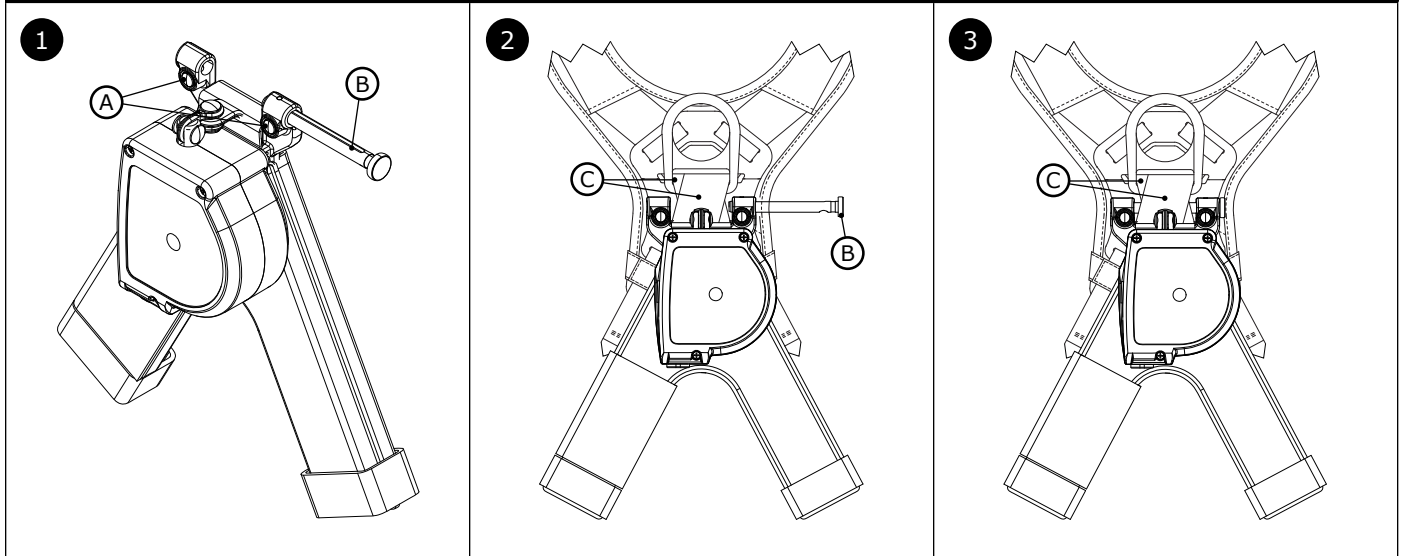
1. Introduzca el lazo de tejido trenzado de la eslinga por el lazo de tejido trenzado del anillo en D del arnés.
2. Introduzca el extremo apropiado de la eslinga por el lazo de tejido trenzado de la eslinga.
3. Para asegurarla, tire de la eslinga por el lazo de tejido trenzado de conexión.

**3.10 COMPONENTES DEL SISTEMA DE CONEXIÓN:** Después de ponerse el arnés, el usuario puede conectarse a su sistema de protección contra caídas. Observe todos los requisitos especificados en estas instrucciones y las instrucciones del fabricante incluidas con los componentes del sistema. Consulte la Descripción general del producto para obtener más información sobre las aplicaciones del sistema.

**Figura 13: Asegurar las eslingas con los extremos de lazo**



**Figura 14: Interfaz de pasador recto**



**Figura 15: Interfaz de mosquetón**

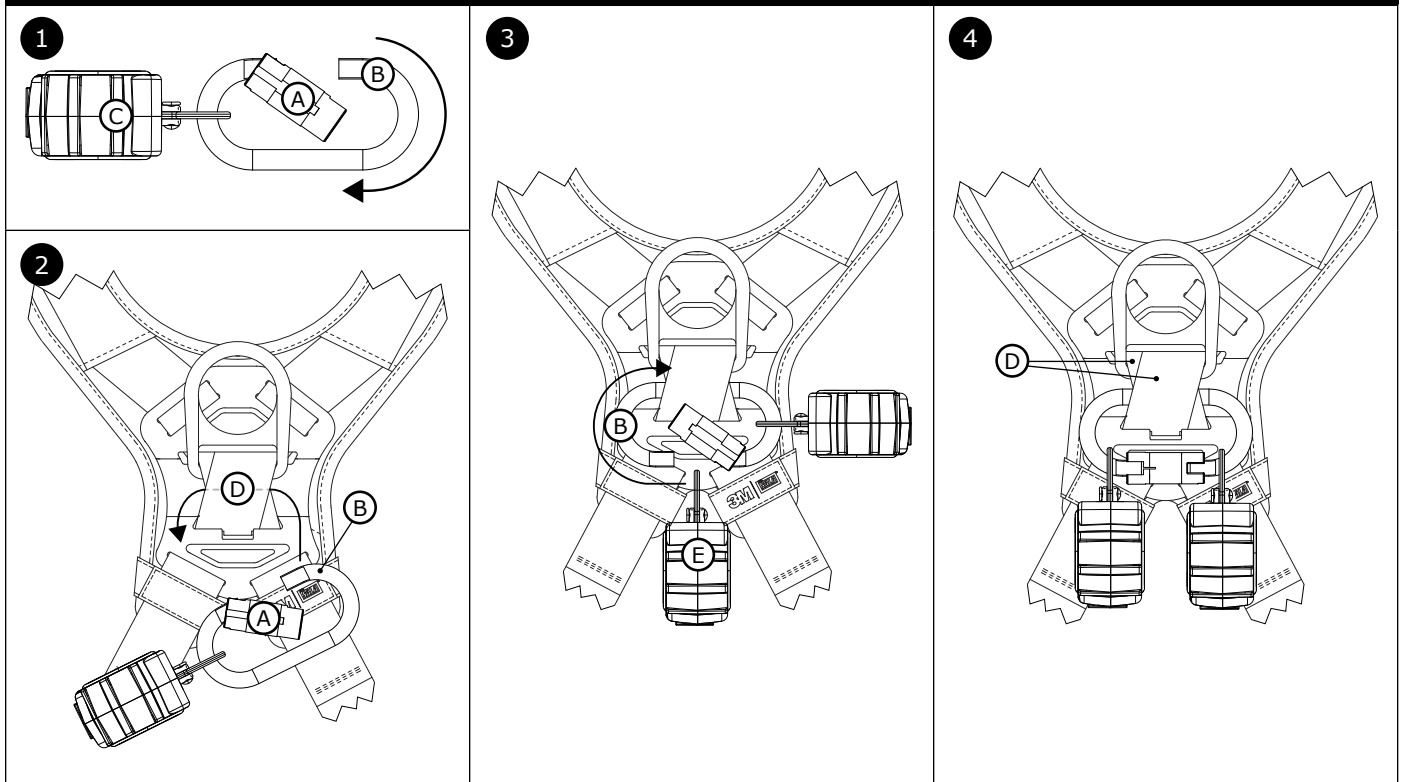


Figura 16: Lazo de SRD

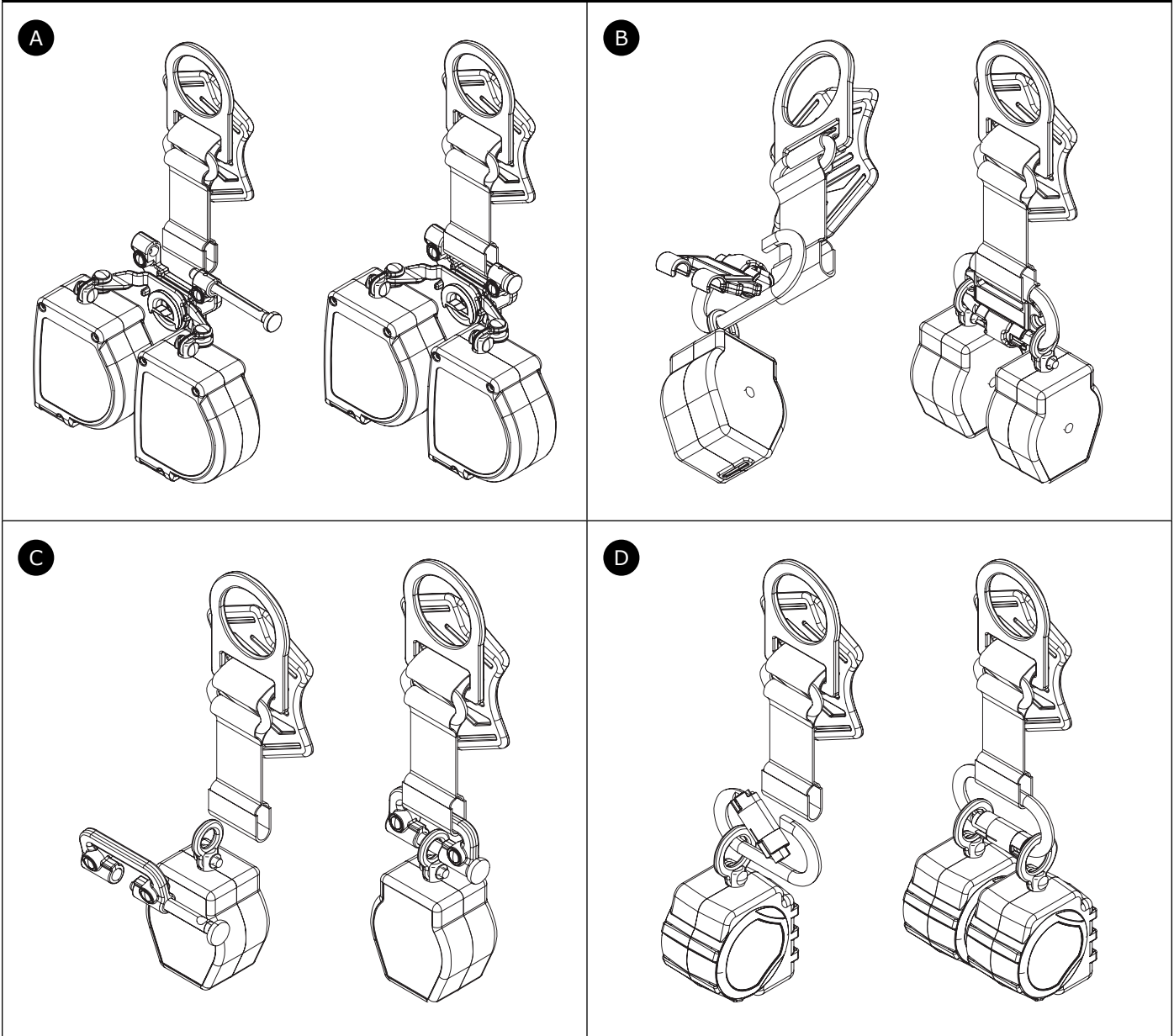
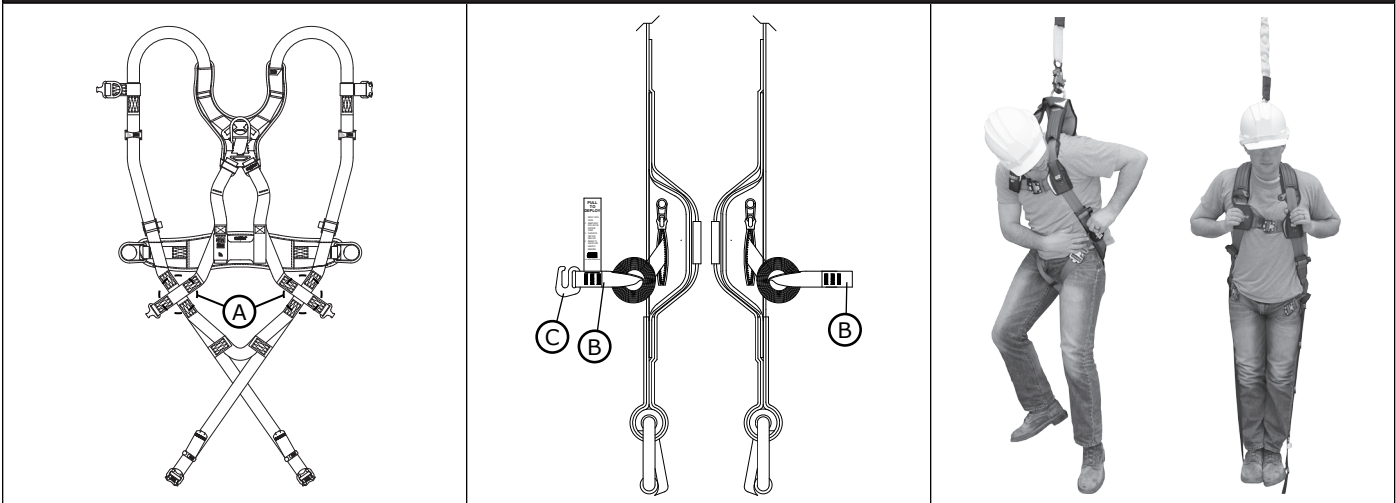


Figura 17: Activación de las correas de protección contra traumatismos



## 4.0 USO

- 4.1 ANTES DE CADA USO:** verifique que su área de trabajo y el sistema de protección contra caídas cumplan con todos los criterios definidos en estas instrucciones. Verifique que exista un plan de rescate formal implementado. Inspeccione el producto según los procedimientos detallados en el "Registro de inspección y mantenimiento". Si la inspección revela una condición insegura o defectuosa, o si existe alguna duda sobre su condición para un uso seguro, retire el producto de servicio inmediatamente. Etiquete claramente el sistema con la inscripción "NO USAR". Consulte la Sección 5 para obtener más información.
- 4.2 CÓMO REALIZAR CONEXIONES:** Cuando utilice un gancho para conectarse a un anclaje o cuando acople componentes del sistema, asegúrese de que no puedan deslizarse. Se produce el deslizamiento cuando una interferencia entre el gancho y el conector hace que accidentalmente se abra el gancho y este se suelte. Deben usarse ganchos de seguridad y mosquetones de cierre automático para reducir la posibilidad de deslizamiento. No utilice ganchos ni conectores que no se cierren completamente sobre el objeto al que se conectan. Consulte las instrucciones del fabricante del sistema secundario para obtener más información sobre cómo realizar conexiones.

## 5.0 INSPECCIÓN

Después de que el equipo se haya retirado del servicio, no podrá volver a ponerse en servicio hasta que una persona competente confirme por escrito que es aceptable hacerlo.

- 5.1 FRECUENCIA DE INSPECCIÓN:** El usuario deberá inspeccionar el producto antes de cada uso y, además, una persona competente que no sea el usuario deberá hacerlo a intervalos de no más de un año. Una mayor frecuencia de uso del equipo y condiciones más severas pueden requerir aumentar la frecuencia de inspecciones por parte de la persona competente. La frecuencia de estas inspecciones la debe determinar la persona competente según las condiciones específicas del lugar de trabajo.
- 5.2 PROCEDIMIENTOS DE INSPECCIÓN:** Inspeccione este producto según los procedimientos detallados en el "Registro de inspección y mantenimiento". El propietario de este equipo debe conservar la documentación de cada inspección. Se debe colocar un registro de inspección y mantenimiento cerca del producto o, de cualquier otra manera, que sea de fácil acceso para los usuarios. Se recomienda que el producto esté identificado con la fecha de la próxima inspección.
- 5.3 DEFECTOS:** Si el producto no se puede devolver al servicio debido a un defecto existente o una condición insegura, se debe destruir el producto o enviarlo a 3M para su reemplazo.
- 5.4 VIDA ÚTIL DEL PRODUCTO:** La vida útil del producto está determinada por las condiciones de trabajo y el mantenimiento. Siempre y cuando el producto pase los criterios de inspección, puede permanecer en servicio.

## 6.0 MANTENIMIENTO, REPARACIÓN y ALMACENAMIENTO

El equipo que necesita mantenimiento o programación para mantenimiento debe estar etiquetado con la inscripción "NO USAR". Estas etiquetas del equipo no se deben quitar hasta que se realice el mantenimiento.

No limpie ni desinfecte el producto con ningún método que no sea el descrito en las siguientes instrucciones de limpieza. Otros métodos pueden tener efectos adversos sobre el producto o el usuario.

- 6.1 LIMPIEZA:** Los arneses de cuerpo completo 3M se deben limpiar de acuerdo con las instrucciones de 3M. Para limpiar el arnés, lávelo con un detergente suave sin lejía y luego enjuague. Posteriormente, el arnés debe colgarse para que se seque al aire. El agua utilizada para la limpieza y las temperaturas utilizadas para secar al aire nunca deben exceder los 130 °F (54,4 °C). Para obtener más información, consulte el boletín técnico en nuestro sitio web: <http://www.3M.com/FallProtection/WebCleaning>

Si tiene alguna pregunta sobre los procedimientos de limpieza, comuníquese con el Servicio Técnico de 3M.

- 6.2 TAREAS DE MANTENIMIENTO O REPARACIÓN:** Este equipo no se puede reparar. Al retirarlo definitivamente del servicio, corte las correas del arnés o inutilice el arnés antes de desecharlo.
- 6.3 ALMACENAMIENTO Y TRANSPORTE:** Guarde y transporte el producto en un lugar fresco, seco y limpio, donde no quede expuesto a la luz solar directa. Evite áreas donde puedan existir vapores químicos. Inspeccione minuciosamente los componentes después de un almacenamiento prolongado.

Se recomienda que el usuario limite la exposición del producto a la luz ultravioleta. La exposición prolongada a la luz ultravioleta podría hacer que el material de las correas se degradara a un ritmo más rápido.

## 7.0 ETIQUETAS y MARCAS

**7.1 ETIQUETAS:** La Figura 19 muestra las etiquetas del producto y su ubicación en el arnés. Todas las etiquetas deben estar presentes y ser completamente legibles. La información proporcionada en cada etiqueta es la siguiente:

Las imágenes de las etiquetas solo son representativas. Consulte las etiquetas de su producto para obtener información específica.

<b>A</b>	1) Declaración de advertencia: lea todas las instrucciones de uso. 2) Especificaciones del arnés 3) Declaración de advertencia: No exceda la capacidad del sistema o del arnés.
<b>B</b>	1) Capacidad del arnés: 130 lb a 310 lb (59 kg a 140 kg) 2) Número de modelo 3) Fabricado (año/mes) 4) Número de lote 5) Tamaño del arnés 6) Estándares vigentes 7) Código de letras identificador de los estándares vigentes 8) Identificación del usuario
<b>C</b>	1) Diagrama y descripciones de los elementos de sujeción 2) Número de serie 3) Registro de inspección
<b>D</b>	1) Hay que tener en cuenta el aumento de la caída libre cuando se utiliza este producto. [solo en los modelos con extensiones de anillo en D]

## 8.0 ETIQUETA RFID

**8.1 UBICACIÓN:** El producto 3M cubierto en estas instrucciones de uso está equipado con una etiqueta de identificación por radiofrecuencia (RFID). Las etiquetas RFID se pueden usar en coordinación con un escáner de etiquetas RFID para registrar los resultados de la inspección del producto. Consulte la Figura 18 para ver dónde se encuentra su etiqueta RFID.

**8.2 DESECHO:** Antes de desechar este producto, retire la etiqueta RFID y deséchelo/recíclelo de acuerdo con las normativas locales. Para obtener más información, visite nuestro sitio web: <http://www.3M.com/FallProtection/RFID>

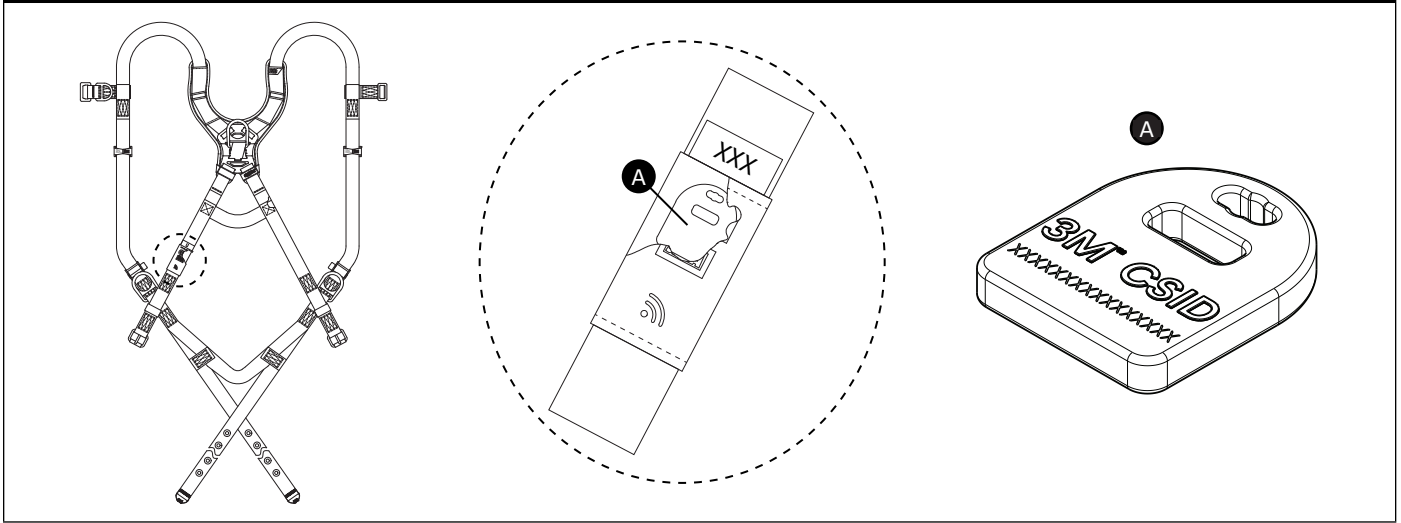
## 9.0 GLOSARIO DE TÉRMINOS

**9.1 DEFINICIONES:** En estas instrucciones, se utilizan los siguientes términos y definiciones.

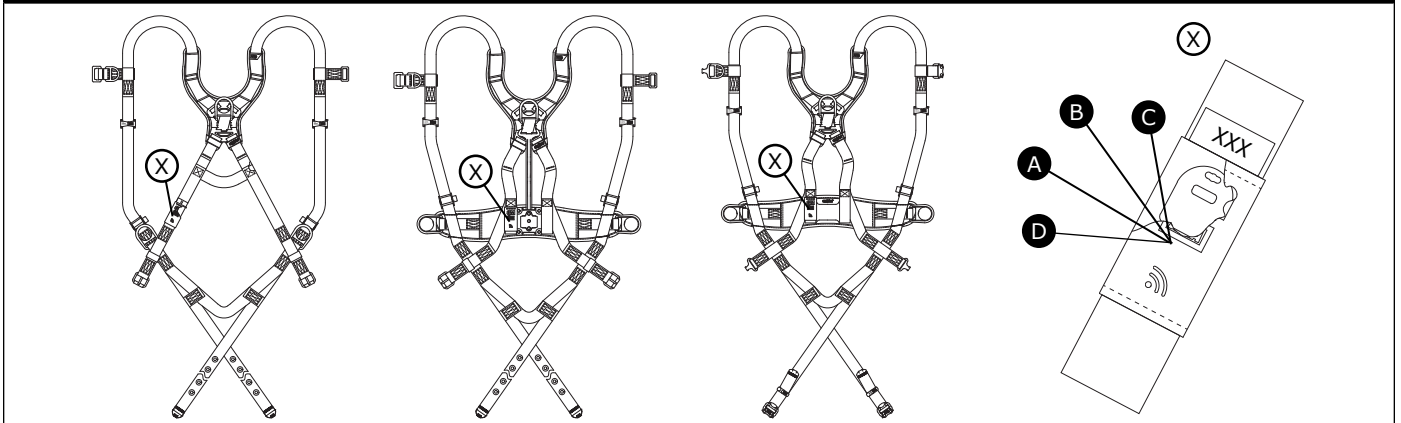
Para obtener una lista completa de términos y definiciones, visite nuestro sitio web: [www.3m.com/FallProtection/ifu-glossary](http://www.3m.com/FallProtection/ifu-glossary)

- **PERSONA AUTORIZADA:** Persona designada por el empleador para que realice tareas en una ubicación en la que la persona estará expuesta a un riesgo de caída.
- **PERSONA COMPETENTE:** Alguien capaz de identificar peligros existentes y predecibles en los alrededores o condiciones de trabajo que son insalubres o peligrosas para los empleados, y que tiene autorización para tomar medidas correctivas rápidas para eliminarlos.
- **SISTEMA DE DETENCIÓN DE CAÍDAS:** Una serie de equipos de protección contra caídas configurados para proteger al usuario en caso de una caída.
- **PERSONA CALIFICADA:** Una persona con un título, un certificado o un cargo profesional reconocidos, o que, con amplios conocimientos, capacitación y experiencia, ha demostrado correctamente su capacidad para resolver o solucionar problemas relacionados con la protección contra caídas y los sistemas de rescate en la medida requerida por reglamentaciones nacionales, regionales y locales vigentes.
- **SISTEMA DE RESCATE:** Una colección de equipos de protección contra caídas configurados para poner a una persona fuera de peligro y ubicarla en un lugar seguro. No se permite la caída libre.
- **RESPONSABLE DEL RESCATE:** Una persona que usa el sistema de rescate para realizar un rescate asistido.
- **SISTEMA DE RETENCIÓN:** Una serie de equipos de protección contra caídas configurados para evitar que el usuario llegue a un riesgo de caída. No se permite la caída libre.
- **USUARIO:** Una persona que realiza actividades mientras está protegida por un sistema de protección contra caídas.
- **SISTEMA DE POSICIONAMIENTO DE TRABAJO:** Una colección de equipos de protección contra caídas configurados para soportar al usuario en su posición de trabajo.

**Figura 18: Ubicación de la etiqueta RFID**



**Figura 19: Etiquetas de productos**



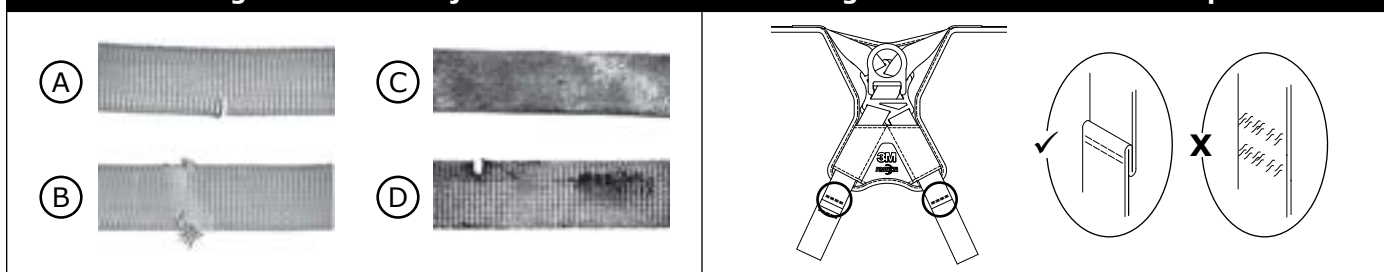
<p><b>A</b></p>	<p><b>1</b> <b>WARNING</b> Manufacturer's instructions must be read and understood prior to use. Instructions supplied with this product at time of shipment must be followed. Failure to do so could result in serious injury or death. Contact 3M Fall Protection Group if instruction sheet is needed. Inspect before each use. Do not use if wear or damage is present. This body harness is intended to be used to arrest the most severe free falls. Items subjected to fall arrest or impact forces must be immediately removed from service and destroyed. Connecting snap and D-Ring must be compatible in size, shape, and strength. This item is not flame or heat resistant. Repairs only to be performed by 3M Fall Protection Group. Equipment modification or misuse voids warranty.</p> <p>950020 Rev. L</p>	<p><b>3M</b> <b>SALA</b></p> <p><b>2</b> Full Body Harness Material: Polyester Webbing ANSI Capacity: 130-310 lbs. OSHA Capacity: 420 lbs.</p> <p><b>3</b> <b>WARNING</b> Do not exceed the capacity of this or other system components. Capacity is the combined weight for which the component is designed to be used. Combined weight includes the user's body weight, clothing, tools, and any objects carried. Contact 3M Fall Protection Group for more information.</p> <p>3M.com/FallProtection</p> <p>DO NOT REMOVE LABEL</p>	<p><b>D</b></p> <p><b>WARNING</b> Increased free fall should be considered when using this product.</p> <p>9515759 Rev. A</p>																				
<p><b>B</b></p>	<p><b>1</b> <b>ANSI/ASSP Z359.11-2021</b> ANSI Z359 Recognizes the use of this harness only within the capacity range of: <b>130-310 lbs.</b></p> <p>Model No.: Mfrd./yr(mo): Lot: Size: Stds:</p> <p><b>2</b> <b>3</b> <b>4</b> <b>5</b> <b>6</b></p> <p>950020 Rev. F</p>	<p><b>PRODUCT COMPLIANCE</b>   <b>DO NOT REMOVE THIS LABEL</b> <b>7</b></p> <p>This product complies with the following standards only if marked with the corresponding letter code under the "Stds" section.</p> <p>B = OSHA 1910.140 &amp; OSHA 1926.502 D = ASTM F887</p> <p>E = ANSI Z359.3 F = ANSI Z359.4 G = ANSI Z359.11 H =</p> <p><b>USER IDENTIFICATION</b> <b>8</b></p> <p>Mark label with permanent marker _____</p>																					
<p><b>C</b></p>	<p><b>1</b></p> <p>1) Dorsal attachment is for fall arrest, travel restraint or rescue. 2) Shoulder attachment is for fall arrest, travel restraint or rescue. 3) Shoulder attachments are for rescue or entry restraint. 4) Hip attachments are for work positioning or travel restraint. 5) Front attachment is for fall arrest (use front falls only), 20' maximum free fall, work positioning, travel restraint or rescue. 6) Rear waist attachment is for travel restraint.</p> <p>SEE USER INSTRUCTIONS FOR MORE DETAILS.</p> <p>950020 Rev. E</p>	<p>SERIAL NO.: SEE RFID TAG <b>2</b></p> <table border="1"> <tr> <td>DATE</td> <td>INITIAL</td> <td></td> <td></td> <td></td> <td></td> <td></td> <td></td> <td></td> <td></td> </tr> <tr> <td></td> <td></td> <td></td> <td></td> <td></td> <td></td> <td></td> <td></td> <td></td> <td></td> </tr> </table> <p><b>INSPECTION LOG</b> <b>3</b></p>	DATE	INITIAL																			
DATE	INITIAL																						

**Tabla 2 – Registro de inspección y mantenimiento**

<b>Número de modelo (número de serie):</b>				
<b>Fecha de compra:</b>		<b>Fecha del primer uso:</b>		
...				
<input checked="" type="checkbox"/> Este producto debe ser inspeccionado por el usuario antes de cada uso. Además, una persona competente que no sea el usuario debe inspeccionar este equipo, al menos, una vez al año.				
...				
Componente	Procedimiento de inspección	Resultado de la inspección		
		Aprobado	Desaprobado	
Accesorios del arnés (Tabla 1)	Inspeccione todos los accesorios del arnés en busca de daños, incluidos todos los elementos de sujeción, hebillas, ajustadores y otros elementos. Estos elementos no deben estar dañados, rotos ni deformados. No pueden tener bordes afilados, rebabas, fracturas, partes desgastadas ni corrosión. Ningún accesorio recubierto con PVC debe tener cortes, rasgones, desgarros y orificios en el revestimiento para garantizar su no conductividad. Asegúrese de que todas las hebillas y los ajustadores funcionen correctamente. <div style="border: 1px solid black; padding: 5px; margin-top: 5px;"> <input checked="" type="checkbox"/> Algunos arneses cuentan con un anillo en D dorsal "para pararse", que incluye un resorte. Este resorte no es fundamental para la integridad del anillo en D.           </div>	<input type="checkbox"/>	<input type="checkbox"/>	
Entretejido de seguridad y costuras (Figura 20)	Inspeccione el entretejido del arnés en todas las zonas. Todo el material del entretejido debe estar libre de cortes (A), deshilachados (B), mucha suciedad (C) y quemaduras de soldadura (D). Revíselo para confirmar que no presente rasgones, raspaduras, moho, quemaduras, decoloración o fibras rotas. Inspeccione las costuras para ver si hay hilos salidos o cortados. Las puntadas sueltas pueden indicar que el arnés estuvo sometido a una carga de impacto y debe retirarse del servicio. <div style="border: 1px solid black; padding: 5px; margin-top: 5px;"> <input checked="" type="checkbox"/> La inspección de los arneses tipo chaleco también debe incluir el entretejido de seguridad dentro del chaleco.           </div>	<input type="checkbox"/>	<input type="checkbox"/>	
Indicadores de impacto cosidos (Figura 21)	Compruebe que todos los indicadores de impacto están intactos. Los indicadores de impacto son partes del entretejido de seguridad que están plegadas sobre sí mismas y aseguradas con un patrón de costura específico. Este patrón de costura está diseñado para soltarse cuando el arnés detiene una caída o ha sido sometido a una fuerza equivalente. Si se ha activado un indicador de impacto (indicado), entonces el arnés debe retirarse del servicio y destruirse.	<input type="checkbox"/>	<input type="checkbox"/>	
Etiquetas (Figura 19)	Todas las etiquetas están presentes y son completamente legibles.	<input type="checkbox"/>	<input type="checkbox"/>	
Equipo de protección contra caídas	El equipo adicional de protección contra caídas que se utiliza con el producto se instala e inspecciona según las instrucciones del fabricante.	<input type="checkbox"/>	<input type="checkbox"/>	
...				
<input checked="" type="checkbox"/> Si el producto no pasa un procedimiento de inspección, el producto no pasará la inspección general. Si el producto no pasa la inspección, retírelo de servicio de inmediato. Etiquete claramente el producto con la inscripción "NO USAR". Consulte la Sección 5 para obtener más información.				
...				
<b>Tipo de inspección:</b>	<input type="checkbox"/> Usuario	<input type="checkbox"/> Persona competente	<b>Resultado general de la inspección:</b>	<input type="checkbox"/> Aprobado <input type="checkbox"/> Desaprobado
<b>Inspeccionado por:</b>			<b>Fecha de inspección:</b>	
<b>Firma:</b>			<b>Fecha de la próxima inspección:</b>	
...				
<b>Notas adicionales:</b>				

**Figura 20: Entretejido**

**Figura 21: Indicadores de impacto**





① **NOTA:** *Estos son los requisitos generales y la información proporcionada por ANSI/ASSP Z359. La División de Protección contra Caídas de 3M puede imponer restricciones más estrictas sobre el uso de sus productos; consulte el manual de instrucciones de 3M para obtener más información.*

1. Es esencial que los usuarios de este tipo de equipo reciban capacitación e instrucción adecuada, incluyendo en su solicitud de trabajo los procedimientos detallados para el uso seguro de tales equipos. ANSI/ASSP Z359.2, "Requisitos mínimos para un programa de protección contra caídas administrado por el empleador" que incluya políticas, obligaciones y capacitación; procedimientos de protección contra caídas; eliminación y control de los riesgos de caídas; procedimientos de rescate; investigaciones de incidentes y evaluación de la eficacia del programa.
2. El calce correcto de un arnés de cuerpo completo es fundamental para un rendimiento adecuado. Los usuarios deben estar capacitados para seleccionar el tamaño y mantener el calce de su arnés de cuerpo completo.
3. Los usuarios deben seguir las instrucciones del fabricante para un calce y tamaño adecuados, prestando especial atención para asegurarse de que las hebillas estén conectadas y alineadas correctamente, que las correas para las piernas y los hombros se mantengan ajustadas en todo momento, las correas para el pecho estén ubicadas en el área central del tórax y las correas para las piernas estén bien ajustadas, colocadas y ajustadas para evitar el contacto con los genitales en caso de que se produzca una caída.
4. Los arneses de cuerpo completo que cumplen con ANSI/ASSP Z359.11 están diseñados para usarse con otros componentes de un sistema personal de detención de caídas que limitan las fuerzas máximas de detención a 1800 lbf (8 kN) o menos.
5. La intolerancia a la suspensión, también conocida como traumatismo por suspensión o intolerancia ortostática, es una afección grave que se puede controlar con un buen diseño de arnés, un rescate rápido y dispositivos de alivio de suspensión después de una caída. Un usuario consciente puede desplegar un dispositivo de alivio de suspensión que le permita eliminar la tensión alrededor de las piernas, liberar el flujo de sangre, lo que puede retrasar la aparición de la intolerancia a la suspensión. Un extensor del elemento de conexión no está diseñado para conectarse directamente a un anclaje o conector de anclaje para la detención de caídas. Se debe utilizar un absorbedor de energía para limitar las fuerzas máximas de detención a 1800 lbf (8 kN). La longitud del extensor del elemento de fijación puede afectar las distancias de caída libre y los cálculos de espacio libre de caída libre.
6. El estiramiento del arnés de cuerpo completo, léase el grado de estiramiento y deformación del componente del arnés de cuerpo completo de un sistema personal de detención de caídas durante una caída, puede contribuir al alargamiento general del sistema para detener una caída. Es importante incluir el aumento en la distancia de caída creado por el estiramiento del arnés de cuerpo completo, así como la longitud del conector de este, el asentamiento del cuerpo del usuario en el arnés de cuerpo completo y todos los demás factores contribuyentes al calcular el espacio libre total requerido para un sistema de detención de caídas en particular.
7. Cuando no estén en uso, las patas de la eslinga sin usar que aún estén unidas a un anillo en D de arnés de cuerpo completo no deben estar unidas a un elemento de posicionamiento para el trabajo o cualquier otro elemento estructural en el arnés de cuerpo completo a menos que la persona competente y el fabricante del arnés lo consideren aceptable. Esto es especialmente importante cuando se utilizan algunos tipos de eslingas estilo "Y", ya que una parte de la carga puede transmitirse al usuario a través de la pierna de la eslinga no utilizada si no puede soltarse del arnés. El elemento de sujeción para la parada de la eslinga generalmente se encuentra en el área esternal para ayudar a reducir los peligros de tropiezos y enredos.
8. Los extremos sueltos de las correas pueden quedar atrapados en la maquinaria o provocar la desconexión accidental de un adaptador. Todos los arneses de cuerpo completo incluirán seguros u otros componentes que se utilizan para controlar los extremos sueltos de las correas.
9. Debido a la naturaleza de las conexiones de bucle flexible, se recomienda que los elementos de sujeción del bucle flexible se utilicen solo para conectarse con otros bucles o mosquetones flexibles. Los ganchos de seguridad no deben usarse a menos que estén aprobados para la aplicación por el fabricante.

**Las secciones 10 a 16 proporcionan información adicional sobre la ubicación y el uso de varios elementos de sujeción que se pueden proporcionar en este arnés de cuerpo completo.**

**10. Dorsal:** El elemento de sujeción dorsal se utilizará como el elemento de sujeción principal de detención de caídas, a menos que la aplicación permita el uso de un elemento de sujeción alternativo. El elemento de sujeción dorsal también se puede utilizar para rescate o restricción del recorrido. Cuando está sostenido por el elemento dorsal durante una caída, el diseño del arnés de cuerpo completo dirigirá la carga a través de las correas para los hombros que sostienen al usuario y alrededor de los muslos. Apoyar al usuario después de la caída mediante el elemento de sujeción dorsal dará como resultado una posición del cuerpo erguido con una ligera inclinación hacia el frente con una ligera presión en la parte inferior del pecho. Se deben tener en cuenta al elegir un elemento de sujeción dorsal deslizante o fijo. Los elementos de sujeción dorsales deslizantes son generalmente más fáciles de ajustar a diferentes tamaños de usuario y permiten una posición de descanso más vertical después de la caída, pero pueden aumentar el estiramiento del arnés de cuerpo completo.

**11. Esternal:** El elemento de sujeción esternal se puede utilizar como un elemento alternativo de detención de caídas en las aplicaciones que una persona competente determine que el elemento dorsal es inapropiado y donde no existe posibilidad de que ocurra una caída en una dirección distinta a la de los pies primero. Los usos prácticos aceptados para un elemento de sujeción esternal incluyen, entre otros, subir escaleras con un dispositivo de detención de caídas de tipo guiado, subir escaleras con una línea de vida autorretráctil superior para detener caídas, posicionamiento para el trabajo y acceso con cuerdas. El elemento de sujeción esternal también se puede utilizar para restricción de desplazamiento o rescate.

Cuando está sostenido por el elemento de sujeción esternal durante una caída, el diseño del arnés de cuerpo completo dirigirá la carga a través de las correas para los hombros que sostienen al usuario y alrededor de los muslos. Sostener al usuario después de la caída mediante el elemento de sujeción esternal dará como resultado una posición corporal más o menos sentada o acunada con el peso concentrado en los muslos, las nalgas y la espalda baja. Sostener al usuario durante el posicionamiento de trabajo mediante el elemento de sujeción esternal resultará en una posición corporal aproximadamente vertical.

Si el elemento de sujeción esternal se utiliza para la detención de caídas, la persona competente que evalúa la aplicación debe tomar medidas para asegurarse de que la caída puede ocurrir solamente con los pies primero. Esto puede incluir limitar la distancia de caída libre permitida. Es posible que un elemento de sujeción esternal incorporado en una correa

para el pecho de estilo regulable haga que la correa para el pecho se deslice hacia arriba y posiblemente ahogue al usuario durante una caída, extracción, suspensión, etc. La persona competente debe considerar los modelos de arnés de cuerpo completo con un elemento de sujeción esternal para estas aplicaciones.

- 12. Frontal:** El elemento de sujeción frontal sirve como conexión para subir escaleras para dispositivos de detención de caídas de tipo guiado donde no hay posibilidad de caer en una dirección que no sea con los pies primero, o puede usarse para posicionamiento en el trabajo. Sostener al usuario, después de la caída o durante la posición de trabajo, mediante el elemento de sujeción frontal, dará como resultado una posición del cuerpo sentado, con la parte superior del torso erguida, con el peso concentrado en los muslos y las nalgas. Cuando está sostenido por el elemento de sujeción frontal el diseño del arnés de cuerpo completo dirigida la carga directamente alrededor de los muslos y por debajo de las nalgas gracias a la correa subpélvica.  
Si para la detención de caídas se utiliza un elemento de sujeción frontal, la persona competente que evalúa la aplicación debe tomar medidas para garantizar que la caída ocurra solamente con los pies primero. Esto puede incluir limitar la distancia de caída libre permitida.
- 13. Hombro:** Los elementos de sujeción del hombro se utilizarán como un par y son una sujeción aceptable para rescate y entrada/recuperación. Los elementos de sujeción del hombro no se deben utilizar para la detención de caídas. Se recomienda que los elementos de sujeción de los hombros se utilicen junto con un yugo que incorpore un elemento separador para mantener separadas las correas de los hombros del arnés de cuerpo completo.
- 14. Cintura, trasero:** El elemento de sujeción trasero de la cintura se utilizará únicamente para la restricción del desplazamiento. El elemento de sujeción trasero de la cintura no se utilizará para la detención de caídas. Bajo ninguna circunstancia es aceptable el uso del elemento de sujeción trasero de la cintura para otros fines que no sean la restricción del desplazamiento. El elemento de sujeción trasero de la cintura solo debe estar sujeto a una carga mínima a través de la cintura del usuario y nunca debe usarse para soportar todo el peso del usuario.
- 15. Cadera:** Los elementos de sujeción de la cadera se utilizarán en pareja y se utilizarán únicamente para el posicionamiento en el trabajo. Los elementos de sujeción de la cadera no deben usarse para detener caídas. Los elementos de sujeción de cadera a menudo se utilizan para el posicionamiento de trabajo por podadores de árboles, trabajadores de servicios públicos que suben a postes y trabajadores de la construcción que atan barras de refuerzo y trepan a las paredes de encofrado. Se advierte a los usuarios que no utilicen los elementos de sujeción de cadera (o cualquier otro punto rígido en el arnés de cuerpo completo) para almacenar el extremo sin utilizar de una eslinga de detención de caídas, ya que esto puede provocar riesgos de tropezar, o bien, en el caso de varios tramos de eslingas, podría provocar una carga adversa del arnés de cuerpo completo y la persona que lo use a través de la porción sin utilizar de la eslinga.
- 16. Asiento con suspensión:** Los elementos de sujeción del asiento con suspensión se utilizarán en pareja y se utilizarán únicamente para el posicionamiento en el trabajo. Los elementos de sujeción del asiento con suspensión no se utilizarán para la detención de caídas. Con frecuencia los elementos del asiento de suspensión se utilizan para actividades de trabajo prolongadas donde el usuario se encuentra suspendido, permitiendo que el usuario se siente sobre el asiento suspensión que se forma entre los dos elementos de conexión. Un ejemplo de este uso serían las personas que limpian ventanas en edificios grandes.

### ***Inspección del usuario, mantenimiento y almacenamiento del equipo***

Los usuarios de los sistemas personales de detención de caídas deberán, como mínimo, cumplir con todas las instrucciones del fabricante con respecto a la inspección, el mantenimiento y el almacenamiento del equipo. La organización del usuario debe conservar las instrucciones del fabricante y ponerlas a disposición de todos los usuarios. Consulte la norma ANSI/ASSP Z359.2, "Requisitos mínimos para un programa integral de protección contra caídas administrado", con respecto a la inspección, el mantenimiento y el almacenamiento del equipo por parte del usuario.

1. Además de los requisitos de inspección establecidos en las instrucciones del fabricante, el equipo deberá ser inspeccionado por el usuario antes de cada uso y, adicionalmente, por una persona competente, que no sea el usuario, a intervalos de no más de un año para comprobar lo siguiente:
  - Ausencia o ilegibilidad de las marcas.
  - Ausencia de los elementos que afecten a la forma, ajuste o función del equipo.
  - Evidencia de defectos en, o daños a, los elementos del herraje que incluyen grietas, bordes afilados, deformación, corrosión, ataque químico, calentamiento, alteración y desgaste excesivos.
  - Evidencia de defectos en o daños a la correa o cuerdas que incluyen deshilachamiento, despalmes, separación de hebras, dobleces, nudos, amarres, costuras rotas o salidas, elongación excesiva, ataques químicos, suciedad, abrasión, alteración excesiva, lubricación necesaria o excesiva, envejecimiento y desgaste excesivos.
2. Los criterios de inspección del equipo serán fijados por la organización del usuario. Tales criterios para el equipo deberán igualar o superar los criterios establecidos por esta norma o las instrucciones del fabricante, los que sean más estrictos.
3. Cuando la inspección revele defectos en, daños a, o mantenimiento inadecuado de los equipos, el equipo deberá retirarse del servicio de forma permanente o antes de retornar al servicio el fabricante del equipo original o su representante designado deberá someterlo a un mantenimiento correctivo adecuado.

### ***Mantenimiento y almacenamiento***

1. El mantenimiento y el almacenamiento del equipo estarán a cargo de la organización del usuario, de acuerdo con las instrucciones del fabricante. Los problemas exclusivos, que pudieran surgir debido a las condiciones de uso, se abordarán con el fabricante.
2. El equipo que necesite de, o esté programado para someterse a, mantenimiento deberá identificarse como inutilizable y retirarse del servicio.
3. El equipo se almacenará de manera que se evite el daño de factores ambientales como temperatura, luz, rayos ultravioleta, humedad excesiva, aceite, productos químicos y sus vapores, u otros elementos degradantes.

**GLOBAL PRODUCT WARRANTY, LIMITED REMEDY  
AND LIMITATION OF LIABILITY**

**WARRANTY:** THE FOLLOWING IS MADE IN LIEU OF ALL WARRANTIES OR CONDITIONS, EXPRESS OR IMPLIED, INCLUDING THE IMPLIED WARRANTIES OR CONDITIONS OF MERCHANTABILITY OR FITNESS FOR A PARTICULAR PURPOSE.

Unless otherwise provided by local laws, 3M fall protection products are warranted against factory defects in workmanship and materials for a period of one year from the date of installation or first use by the original owner.

**LIMITED REMEDY:** Upon written notice to 3M, 3M will repair or replace any product determined by 3M to have a factory defect in workmanship or materials. 3M reserves the right to require product be returned to its facility for evaluation of warranty claims. This warranty does not cover product damage due to wear, abuse, misuse, damage in transit, failure to maintain the product or other damage beyond 3M's control. 3M will be the sole judge of product condition and warranty options.

This warranty applies only to the original purchaser and is the only warranty applicable to 3M's fall protection products. Please contact 3M's customer service department in your region for assistance.

**LIMITATION OF LIABILITY:** TO THE EXTENT PERMITTED BY LOCAL LAWS, 3M IS NOT LIABLE FOR ANY INDIRECT, INCIDENTAL, SPECIAL OR CONSEQUENTIAL DAMAGES INCLUDING, BUT NOT LIMITED TO LOSS OF PROFITS, IN ANY WAY RELATED TO THE PRODUCTS REGARDLESS OF THE LEGAL THEORY ASSERTED.

**GARANTÍA GLOBAL DEL PRODUCTO, REPARACIONES LIMITADAS  
Y LIMITACIÓN DE RESPONSABILIDAD**

**GARANTÍA:** EL SIGUIENTE TEXTO SIRVE A MODO DE GARANTÍA O CONDICIÓN, EXPLÍCITA O IMPLÍCITA, E INCLUYE LAS GARANTÍAS O CONDICIONES IMPLÍCITAS DE COMERCIABILIDAD O APTITUD PARA UN PROPÓSITO ESPECÍFICO.

A menos que las leyes locales indiquen lo contrario, los productos de protección contra caídas 3M tienen garantía por defectos de fábrica en la mano de obra y en los materiales durante un período de un año desde la fecha de instalación o desde el primer uso del propietario original.

**REPARACIONES LIMITADAS:** 3M reparará o reemplazará un producto si determina que tiene un defecto de fábrica en la mano de obra o en los materiales y tras haber recibido una notificación por escrito sobre el presunto defecto. 3M se reserva el derecho de exigir la devolución del producto a sus instalaciones para evaluar los reclamos sobre la calidad. Esta garantía no cubre los daños ocasionados por el desgaste, el abuso, el mal mantenimiento, o como consecuencia del traslado del producto, u otros daños ajenos al control de 3M. 3M será el único capaz de determinar la condición del producto y las opciones de la garantía.

Esta garantía solo se aplica al comprador original y es la única garantía válida para los productos de protección contra caídas 3M. Comuníquese con el departamento de servicio al cliente de 3M de su región para obtener ayuda.

**LIMITACIÓN DE RESPONSABILIDAD:** EN LA MEDIDA PERMITIDA POR LAS LEYES LOCALES, 3M NO SERÁ RESPONSABLE DE LOS DAÑOS INDIRECTOS, IMPREVISTOS, ESPECIALES O CONSECUENTES; ENTRE ELLOS, LA PÉRDIDA DE INGRESOS RELACIONADOS DE CUALQUIER MANERA CON LOS PRODUCTOS, INDEPENDIEMENTE DE LA TEORÍA JURÍDICA QUE SE PUDIERA INVOCAR.



Fall Protection

**USA**

3833 SALA Way  
Red Wing, MN 55066-5005  
Toll Free: 800.328.6146  
Phone: 651.388.8282  
Fax: 651.388.5065  
3Mfallprotection@mmm.com

**Brazil**

Rodovia Anhanguera, km 110  
Sumaré - SP  
CEP: 13181-900  
Brasil  
Phone: 0800-013-2333  
falecoma3m@mmm.com

**Mexico**

Av. Santa Fe No. 190  
Col. Santa Fe, Ciudad de Mexico  
CP 01219, Mexico  
Phone: 01 800 120 3636  
3msaludocupacional@mmm.com

**Canada**

600 Edwards Blvd, Unit #2  
Mississauga, ON L5T 2V7  
Phone: 905.795.9333  
Toll-Free: 800.387.7484  
Fax: 888.387.7484  
3Mfallprotection-ca@mmm.com

**EMEA (Europe, Middle East, Africa)**

*EMEA Headquarters:*  
Le Broc Center  
Z.I. 1re Avenue - BP15  
06511 Carros Le Broc Cedex  
France  
Phone: + 33 04 97 10 00 10  
Fax: + 33 04 93 08 79 70  
informationfallprotection@mmm.com

**Australia & New Zealand**

137 McCredie Road  
Guildford  
Sydney, NSW, 2161  
Australia  
Toll-Free : 1800 245 002 (AUS)  
Toll-Free : 0800 212 505 (NZ)  
3msafetyaucs@mmm.com

**Asia**

*Singapore:*  
1 Yishun Avenue 7  
Singapore 768923  
Phone: +65-6450 8888  
Fax: +65-6552 2113  
TotalFallProtection@mmm.com

*China:*

38/F, Maxdo Center, 8 Xing Yi Rd  
Shanghai 200336, P R China  
Phone: +86 21 62753535  
Fax: +86 21 52906521  
3MFallProtection-CN@mmm.com

*Korea:*

3M Korea Ltd  
20F, 82, Uisadang-daero,  
Yeongdeungpo-gu, Seoul  
Phone: +82-80-033-4114  
Fax: +82-2-3771-4271  
TotalFallProtection@mmm.com

*Japan:*

3M Japan Ltd  
6-7-29, Kitashinagawa, Shinagawa-ku, Tokyo  
Phone: +81-570-011-321  
Fax: +81-3-6409-5818  
psd.jp@mmm.com

**WEBSITE:**  
**3M.com/FallProtection**



**EU DECLARATION OF CONFORMITY:**  
**3M.com/FallProtection/DOC**