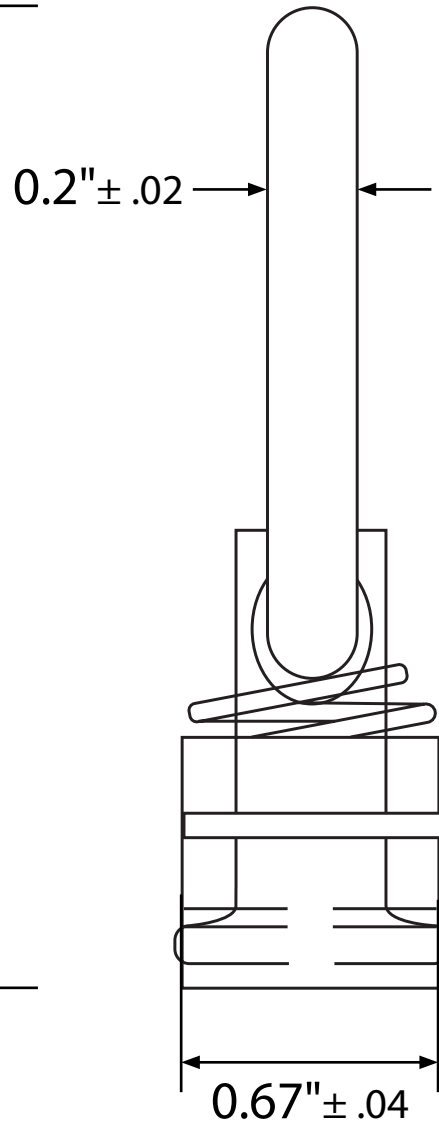
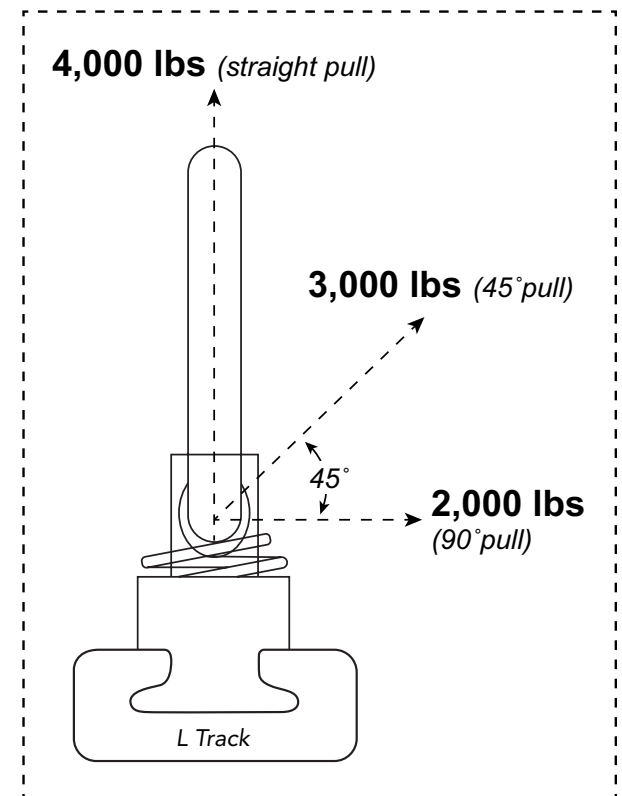


SIDE VIEW:



PULL ANGLE BREAK STRENGTHS:



WLL:	1,333 lbs
Break Strength:	4,000 lbs
Weight:	0.1 lbs

