

TSEU-A

Universal heavy duty clamp with adjustable extra large jaw opening

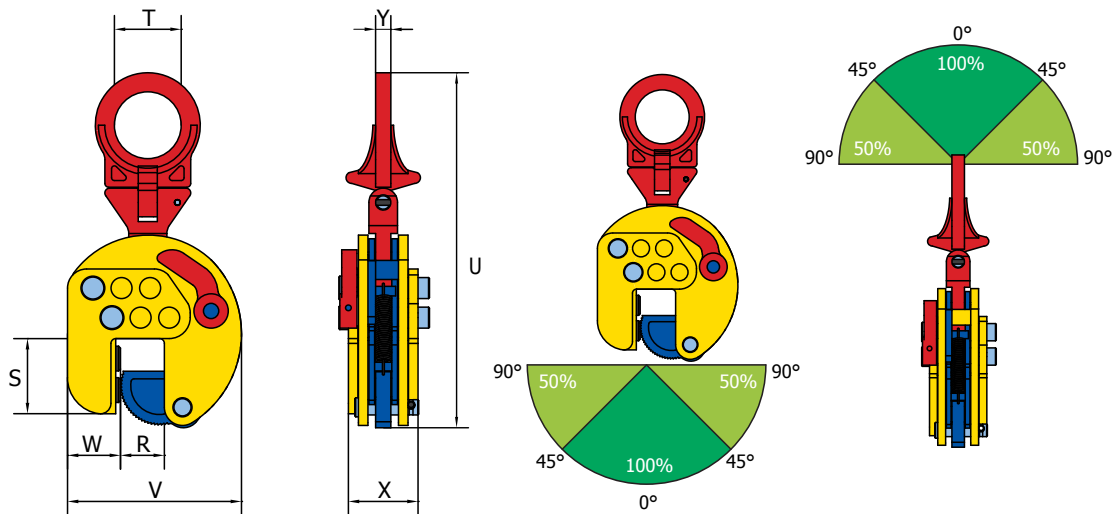
Application:

- For vertical lifting, transporting, and turning of all steel plates and structures from all positions
- Adjustable Jaw opening from: 0 to 3.74 in.
- 3 different jaw positions. Adjustable by steps of 1.18 in.
- Working load limit (WLL) 6,600 lbs
Min. WLL is 10% of max. WLL

Note: Surface hardness of the material lifted must not exceed 37 HRC/345 Hb

Features and Benefits:

- Only 1 clamp needed for different types of jobs
- The same clamp can be used if a larger jaw opening is necessary
- Articulated lifting shackle for universal lifting flexibility at various angles
- The articulated lifting shackle guarantees a pressure grip in every position, even when side loading up to 90 degrees. Note a lower load capacity when lifting at an angle higher than 45 degrees. Please check WLL illustrations below.
- Longer plates can be lifted without the use of a spreader beam when using two clamps on a two legged chain sling
- Standard with 2 pivots for extra clamping force
- Always equipped with a safety mechanism, ensuring the clamp does not slip when lifting force is applied and when load is being lowered
- Clamp is locked in closed as well as open position
- Lightweight design for easy handling
- Tough quality heavy-duty welded shell body
- Maintenance-friendly. Easy to exchange parts are available upon request



Reference No.	Type	Capacity/WLL (lb/pc)	Jaw opening (R) (inches)	Dimensions in inches							Weight (lb/pc)
				S	T	U	V	W	X	Y	
863300	3 TSEU-A	6,600	0 - 3.74	3.11	2.76	14.69	7.20 - 9.56	2.01	3.03	0.63	23