



TNMH

Horizontal lifting without marking, scratching, or damaging the material surface

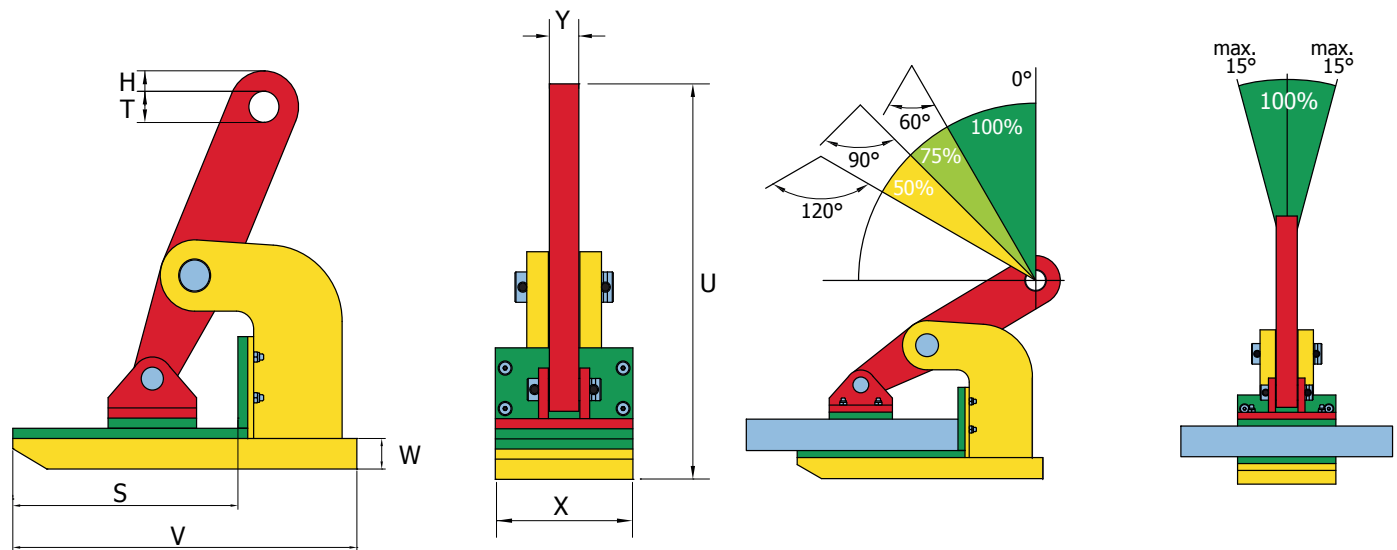
Application:

- For horizontal lifting and transporting of all non-deflecting plates and structures without marking, scratching, and/or damaging the material surface
- Perfect for lifting materials such as (stainless) steel, aluminum, natural stone, composite, painted materials, wood, glass, plastic, etc.
- **Terrier TNMH lifting clamps must always be used in pairs (or multiples thereof)**
- Jaw openings available from: 0 to 2.00 in.
- Working load limit (WLL) 2,200 - 13,200 lbs per pair



Features and Benefits:

- Jaw and cam are covered with a special high quality pressure resistant material
- Compact design and high lifting capacity
- Lightweight design for easy handling
- Tough quality heavy-duty welded body
- Maintenance-friendly. Easy to exchange parts are available upon request



Terrier TNMH lifting clamps must always be used in pairs (or multiples thereof)

Reference No.	Type	Capacity/WLL		Jaw opening (R) (inches)	Dimensions in inches							Weight (lb/pc)	
		(lb/pc)	(lb/pair)		V	S	W	T	H	U	X		Y
862810	1 TNMH	1,100	2,200	0 - 1.00	5.51	3.70	0.59	0.79	0.39	6.10	2.56	0.59	6
862820	2 TNMH	2,200	4,400	0 - 1.77	8.86	5.94	0.59	1.20	0.59	10.51	3.54	0.59	17
862830	3 TNMH	3,300	6,600	0 - 1.77	8.86	5.94	0.79	1.20	0.59	10.67	3.54	0.59	19
862841	4 TNMH	4,400	8,800	0 - 2.00	9.84	6.34	0.79	1.20	0.68	11.81	4.53	1.18	34
862861	6 TNMH	6,600	13,200	0 - 2.00	9.84	6.34	0.98	1.20	0.68	12.05	5.12	1.18	36