

# THSK

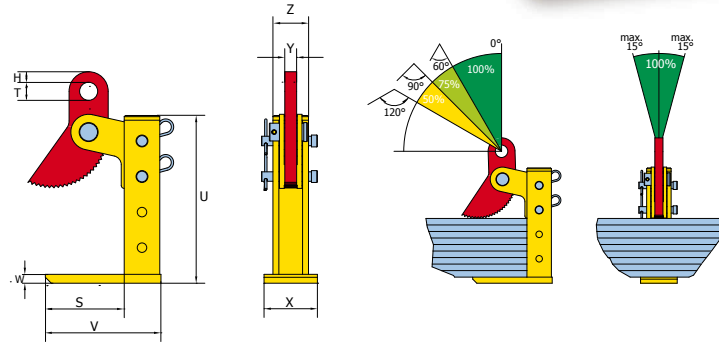
Adjustable extra large jaw opening for stacks, packages, and thick single plate lifting

## Application:

- For horizontal lifting, handling, and transporting of banded/secured stacks, packages and or single thick steel plates
- **Terrier THSK lifting clamps must always be used in pairs (or multiples thereof)**
- Adjustable jaw offers wide variety of openings available from .11 to 16.53 in.
- Working load limit (WLL) 3,300 - 19,800 lbs per pair (Higher WLL available upon request)

## Features and Benefits:

- Easy adjustable jaw opening
- Quick and easy placing and removing of the clamp
- Lightweight design for easy handling
- Tough quality heavy-duty welded body
- Maintenance-friendly. Easy to exchange parts are available upon request



**Terrier THSK lifting clamps must always be used in pairs (or multiples thereof)**

Reference No.	Type	Capacity/WLL		Jaw opening (R) (inches)	Dimensions in inches										Weight (lb/pc)
		(lb/pc)	(lb/pair)		V	S	W	T	H	U	X	Z	Y		
815180	1.5 THSK/180	1,650	3,300	0.11 - 7.08	7.91	5.31	0.59	1.20	0.71	11.38	3.54	2.36	0.79	21	
815300	1.5 THSK/300	1,650	3,300	0.11 - 11.81	7.91	5.31	0.59	1.20	0.71	16.10	3.54	2.36	0.79	24	
830180	3 THSK/180	3,300	6,600	0.11 - 7.08	9.49	6.50	0.79	1.20	0.71	11.65	4.13	2.72	0.79	29	
830300	3 THSK/300	3,300	6,600	0.11 - 11.81	9.49	6.50	0.79	1.20	0.71	16.38	4.13	2.72	0.79	33	
845180	4.5 THSK/180	4,950	9,900	0.11 - 7.08	9.49	6.50	0.79	1.20	0.71	11.65	4.13	2.72	0.79	29	
845420	4.5 THSK/420	4,950	9,900	0.11 - 16.53	9.49	6.50	0.79	1.20	0.71	21.10	4.13	2.72	0.79	37	
860180	6 THSK/180	6,600	13,200	0.11 - 7.08	10.08	6.30	0.98	1.20	0.71	11.97	4.72	2.95	0.79	40	
860420	6 THSK/420	6,600	13,200	0.11 - 16.53	10.08	6.30	0.98	1.20	0.71	21.42	4.72	2.95	0.79	52	
890180	9 THSK/180	9,900	19,800	0.11 - 7.08	10.08	6.30	0.98	1.20	0.71	11.97	4.72	2.95	0.79	40	
890420	9 THSK/420	9,900	19,800	0.11 - 16.53	10.08	6.30	0.98	1.20	0.71	21.42	4.72	2.95	0.79	52	