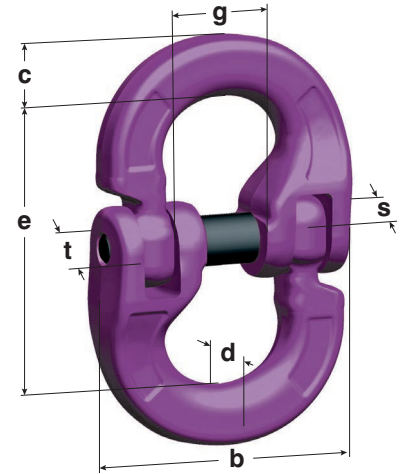


## V/S / Connex Connecting Link

This universal connecting link consists of two symmetrical, die-forged halves, one bolt and one safety sleeve. For the expert connection of master ring and chain, chain and chain, chain and hook, master ring and hook and much more! Please note that the product is suitable for **straight pull only** and must be assembled by a qualified person. Thanks to the sophisticated design, no special tool is required.



Code	Chain Size	WLL (lb)	e (inch)	c (inch)	s (inch)	t (inch)	d (inch)	b (inch)	g (inch)	Weight (lbs/pc)	Quantity per package
V/S 7	9/32"	4,300	2.09	0.39	0.51	0.63	0.35	1.81	0.67	0.31	40
V/S 8	5/16"	5,700	2.44	0.47	0.55	0.79	0.39	2.17	0.75	0.53	40
V/S 10	3/8"	8,800	2.83	0.59	0.71	0.87	0.51	2.52	0.94	0.92	30
V/S 13	1/2"	15,000	3.46	0.79	0.87	1.02	0.67	3.11	1.10	1.87	20
V/S 16	5/8"	22,600	4.41	0.94	1.14	1.38	0.79	4.13	1.34	4.18	10
V/S 19/20	3/4"	35,300	4.96	1.26	1.38	1.77	0.98	4.96	1.73	6.82	2