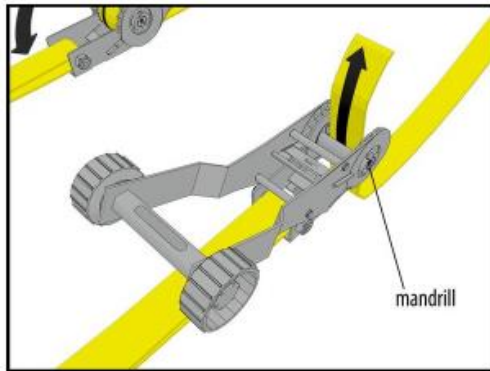


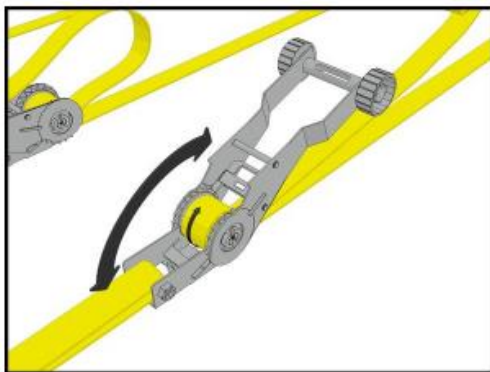
How to Use Rollup Ratchet Straps

STEP 1.



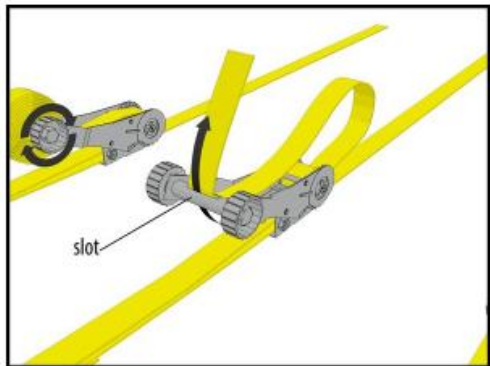
Feed the loose tail end of the strap through the ratchet mandrill.

STEP 2.



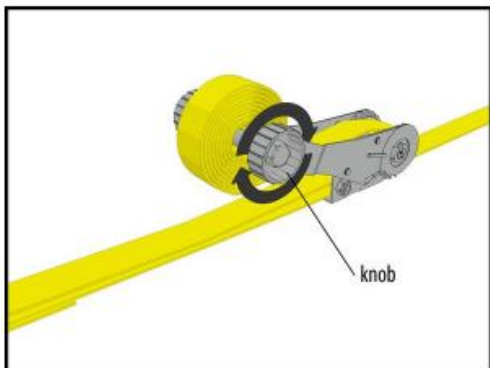
Attach the fixed end ratchet strap to the trailer or truck. Pull tight and ratchet down until the entire assembly is tight and your cargo is secure.

STEP 3.



Take the tail end of the excess strap and insert into the spindle slot.

STEP 4.



Roll up the ratchet strap by winding the knob. Tighten as far as you can, then twist the knob towards you to lock in place.