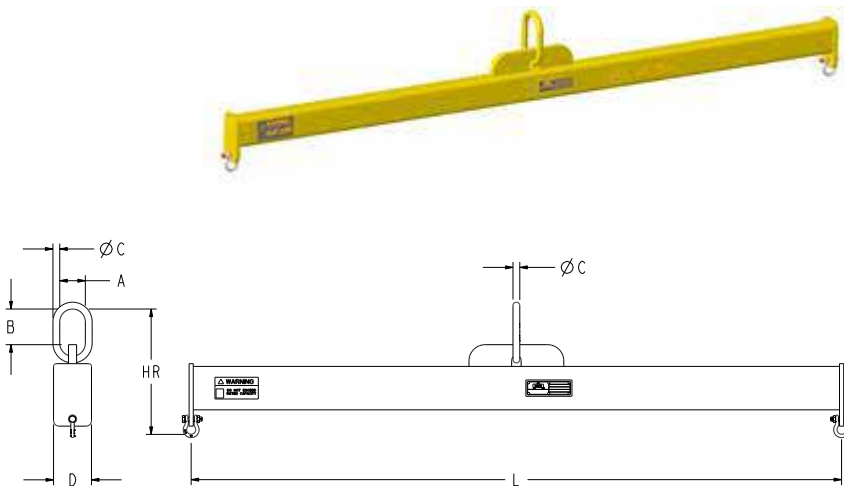


**ECONOMY (FIXED LENGTH) LIFTING BEAMS**

- Manufactured to exceed all ASME B30.20 and OSHA regulations.
- Painted safety yellow for increased visibility.
- **ALL** Lifting Beams proof loaded and shipped with certification paperwork.
- Durable construction ideally suited to jobsite or warehouse use.
- Beams supplied standard with shackle connections.
- Made in U.S.A.
- Custom designs available - call for engineering.
- **ALL** lifting equipment individually proof loaded per OSHA requirements.

Prop 65 – See Page 112



**STANDARD WITH SHACKLES**



**SHOWN WITH OPTIONAL HOOKS**

Working Load Limit in Pounds*	Part number Headroom Weight	Spread in Inches - L										A	B	C	D	Bottom Shackle Size
		24	36	42	48	54	60	66	72	96	120					
500	<b>Part Number</b>	<b>16561</b>	<b>12540</b>	<b>15028</b>	<b>11525</b>	<b>15031</b>	<b>15034</b>	<b>15037</b>	<b>11526</b>	<b>11527</b>	<b>11528</b>	2.4	3.3	0.63	2.5	5/16"
	HR=	10.5	10.5	10.5	10.5	10.5	10.5	10.5	10.5	10.5	10.5					
	Weight	22	29	33	36	40	43	47	50	65	80					
1,000	<b>Part Number</b>	<b>16140</b>	<b>12546</b>	<b>15040</b>	<b>11529</b>	<b>15043</b>	<b>15046</b>	<b>15049</b>	<b>11530</b>	<b>11531</b>	<b>11532</b>	2.4	3.3	0.63	3.5	5/16"
	HR=	10.5	10.5	10.5	10.5	10.5	10.5	10.5	10.5	10.5	11.5					
	Weight	22	29	33	36	40	43	47	50	65	115					
2,000	<b>Part Number</b>	<b>16124</b>	<b>15054</b>	<b>15057</b>	<b>11533</b>	<b>15060</b>	<b>15063</b>	<b>15066</b>	<b>11534</b>	<b>11535</b>	<b>11536</b>	2.4	3.3	0.63	3.5	5/16"
	HR=	11.5	11.5	11.5	11.5	11.5	11.5	11.5	11.5	13.8	13.8					
	Weight	32	42	48	52	58	63	68	73	127	155					
4,000	<b>Part Number</b>	<b>16381</b>	<b>15070</b>	<b>15073</b>	<b>11537</b>	<b>15076</b>	<b>15079</b>	<b>15082</b>	<b>11538</b>	<b>11539</b>	<b>11540</b>	2.4	3.3	0.63	3.5	3/8"
	HR=	14.0	14.0	14.0	14.0	14.0	14.0	14.0	14.0	14.0	16.0					
	Weight	43	57	63	70	78	85	93	99	126	190					
6,000	<b>Part Number</b>	<b>16382</b>	<b>14433</b>	<b>15085</b>	<b>14438</b>	<b>15092</b>	<b>15095</b>	<b>15098</b>	<b>14442</b>	<b>14445</b>	<b>14452</b>	2.4	3.3	0.63	3.5	7/16"
	HR=	14.0	14.0	14.0	16.0	16.0	16.0	16.0	16.0	16.0	16.0					
	Weight	43	56	67	87	95	104	114	121	220	343					

\* Call for specifications on larger sizes and capacities