



## **User Instruction Manual**

# **8' Confined Space Tripod**

This manual is intended to meet the Manufacturer's Instructions as required by the American National Standards Institute (ANSI) Z359.1-2007, Z117.1-2009, A10-32-2012, and Occupational Safety and Health Act (OSHA) regulations 1926.502, 1926.21, and 1910.146 and should be used as part of an employee training program as required by OSHA. The user of the equipment discussed in this manual must read and understand this manual before beginning work, or if necessary, have this manual explained. This manual assumes the user has been trained in the use of this equipment in a Non-Permit and Permit-Required Confined Space environment.

### **WARNING**

**This product is part of a personal fall protection, restraint, work positioning, suspension, or rescue system. A Personal Fall Arrest System (PFAS) is typically composed of an anchorage and a Full Body Harness (FBH), with a connecting device, i.e., a Shock Absorbing Lanyard (SAL), or a Self-Retracting Device (SRD), attached to the dorsal D-ring of the FBH.**

**These instructions must be provided to the user of this equipment. The user must read and understand the manufacturer's instructions for each component or part of the complete system. Manufacturer's instructions must be followed for proper use, care, and maintenance of this product. These instructions must be retained and be kept available for the user's reference at all times. Alterations or misuse of this product, or failure to follow instructions, may result in serious injury or death.**

**A Fall Protection Plan must be on file and available for review by all users. It is the responsibility of the user and the purchaser of this equipment to assure that users of this equipment are properly trained in its use, maintenance, and storage. Training must be repeated at regular intervals. Training must not subject the trainee to fall hazards.**

**When this equipment is in use the employer must have a rescue plan and the means at hand to implement it and communicate that plan to users, authorized persons, and rescuers.**

Consult a doctor if there is reason to doubt your fitness to safely absorb the shock of a fall event. Age and fitness seriously affect a worker's ability to withstand falls. Pregnant women or minors must not use this equipment.

**NOTE:** For more information consult ANSI Z359

**FallTech**  
1306 South Alameda Street  
Compton, CA 90221, USA  
1-800-719-4619  
1-323-752-0066  
[www.falltech.com](http://www.falltech.com)  
©2015

## Table of Contents

### 1. DESCRIPTION

- 1.1 American National Standards Institute (ANSI) and Occupational Safety and Health Act (OSHA)

### 2. APPLICATION

- 2.1 Purpose
- 2.2 Application Limits

### 3. SYSTEM REQUIREMENTS

- 3.1 Capacity
- 3.2 Compatibility Of Connectors
- 3.3 Compatibility Of Components
- 3.4 Making Connections
- 3.5 Personal Fall Arrest System
  - 3.5.1 PFAS Anchorage Strength
  - 3.5.2 Work Positioning
  - 3.5.3 Personnel Riding
  - 3.5.4 Material Handling

- 3.5.5 Rescue

- 3.6 Definitions

### 4. INSTALLATION AND OPERATION

- 4.1 General Installation Requirements
- 4.2 First Time Pre-Use Assembly
  - 4.2.1 Install The Winch Device Brackets
- 4.3 Tripod Set-up
  - 4.3.1 Install the Winch/Devices
- 4.4 Use of the Tripod
- 4.5 Install Additional Fall Protection Devices:
- 4.6 Connect to the Device
- 4.7 Dismantle the Tripod

### 5. SPECIFICATIONS

### 6. MAINTENANCE AND STORAGE

### 7. INSPECTION OF TRIPOD

### 8. LABELS

### 1. DESCRIPTION

The FallTech® 8' Contractor Confined Space Tripod is primarily for those entering and working in confined spaces, both Permit and Non-Permit. OSHA defines a confined space as any space with limited openings for entry or exit, is large enough for a worker to enter bodily and perform work, and is not designed for continuous worker occupancy. Confined spaces include but are not limited to, tanks, storage bins, manholes, pits, silos, underground utility vaults and pipelines. See 29 CFR 1910.146.

Permit-required confined spaces are confined spaces that, in addition to having limited entry/egress, also contain some type of hazard, either environmental or atmospheric, unguarded machinery, exposed electrical components, engulfment hazards, or a downward sloping tapered shape. See 29 CFR 1910.146.

The tripod provides the support structure for entry and egress for rescue/evacuation systems, and is the anchorage for fall protection, work positioning, and personnel riding systems. See Section 2.

The tripod is composed of a cast aluminum head assembly, equipped with integrated aluminum pulleys and pulley guards for rescue and retrieval device cables and two eyebolts for attaching one or more PFAS. The legs are 2-part telescoping square aluminum tube, secured to specified length by pins. Brackets to facilitate the use of entry/egress, lower/hoist personnel winches, and 3-Way SRL-R fall protection devices are installed on the legs. The feet are auto-leveling and are equipped with a spiked edge for soft ground and rubber pads for hard surfaces. Eyebolts in lower legs facilitate the use of a safety chain to prevent the tripod legs from splaying out under loads when the tripod is in use.

This manual contains three Appendices; A, B, and C. Appendix A contains figures and tables specific to the tripod discussed in this manual.

Appendix B contains figures and tables applicable to fall protection equipment in general. Appendix C contains general information, installation and use procedures for the confined space winch and 3-way device used in conjunction with the tripod discussed in this manual. All figure, table, and chart references in this manual are to Appendix A unless otherwise noted.

For purposes of this manual, the tripod, in all iterations, may be referred to collectively as the tripod, the equipment, the product, or the unit.

See Table 1 for product and materials, specifications and ratings. See Figure 1A for an illustration of the product parts and features, and Figure 1B for an illustration of working dimensions.

**1.1 American National Standards Institute (ANSI) and Occupational Safety and Health Act (OSHA):** The tripod discussed in this manual, including all devices attached to it, meets the standards of ANSI Z359.1-2007, ANSI Z359.4-2013, Z117.1-2009, A10-32-2012, and Occupational Safety and Health Act (OSHA) regulations for general industry 1926.502, and 1910.146.

OSHA requires all employees working in a confined space application be trained regarding the nature of hazards involved, the necessary precaution to be taken, and in the use of protective and emergency equipment.

### 2. APPLICATION

**2.1 Purpose:** A typical confined space application is a tripod set up over an entry port, equipped with entry/egress, fall protection, and rescue devices i.e., personnel and material winches, 3-way SRL-R winch devices, a Self-Retracting Device (SRD) and a Fall Arrester Connecting Subsystem (FACSS). See Appendix C of this manual.

There are two operators of a tripod with a device. 1) the entrant who is equipped with an approved full body harness and remains attached to a lifeline, and 2) the attendant, who cranks the winch, directs the cable, and maintains constant contact with the entrant, either visually or by other means.

Each device has a certain functional configuration. The personnel winch is a manually operated raising and lowering device that must be cranked in both directions. The 3-way device is a fall protection SRD with a rescue function.

Confined space operations may be described and planned for according to how the entry/egress will be accomplished using what equipment.

- Confined space entry, using a tripod and a single winch as shown in Figure 2A. The ladder is the primary method of entry and egress. The winch is a backup device, for emergency retrieval and fall protection device. Since the winch lacks an energy absorber, it requires an attendant at all times to keep the device lifeline tensioned, to prevent fall protection loads from impacting it.
- Confined space entry with a tripod and a single 3-way SRL-R as shown in Figure 2B. The ladder is the primary method of entry and egress. The 3-way SRL-R is the fall protection and emergency retrieval device. The 3-way SRL-R is not intended as an everyday raising and lowering winch and must not be used as a primary entry and egress device.
- Confined space entry with a tripod, a winch and one 3-way SRL-R, as shown in Figure 2C. The winch is the primary method of entry and egress. The 3-way SRL-R is the fall protection and emergency retrieval device. The 3-way SRL-R is not intended as an everyday raising and lowering winch and must not be used as a primary entry and egress device.

**2.2 Application Limits:** Take action to avoid sharp edges, rough, abrasive or corroded surfaces and edges, and thermal, electrical and chemical hazards. Ensure the tripod is on solid ground, the tripod head is level with the surface, the feet are in good contact with the surface, and the pins and detents are properly employed.

When used with a FallTech device, the tripod is rated for one worker weighing a maximum of 310 lbs (140 kg) (including all clothing, tools, and equipment). For emergency retrieval applications, more than one person may be attached to the tripod. For rescue purposes, devices may be mounted in any manner and place that would facilitate the rescue.

**NOTE:** When used as a material lowering/hoisting device, the tripod is rated at 620 lbs.

### 3. SYSTEM REQUIREMENTS

**3.1 Capacity:** The capacity of the tripod in Specifications is listed as 310 lbs. (140 kg) including tools, clothing, etc. For material handling applications with a designated material handling winch, the tripod capacity is 620 lbs. When at maximum extension, the FallTech tripod has a maximum lift height of 80" above the working surface. Ensure personnel can be removed from the space in the event of a rescue.

**3.2 Compatibility Of Connectors:** Connectors are considered compatible with connecting elements when they have been designed to work together in such a way that their sizes and shapes do not cause their gate mechanisms to open inadvertently, regardless of how they become oriented. Contact FallTech if you have any questions about compatibility. Connectors must be compatible with the anchorage or other system components. Do not use equipment that is not compatible. Non-compatible connectors may unintentionally disengage. Connectors must be compatible in size, shape, and strength. Self-closing, self-locking snap hooks and carabiners are required by OSHA.

**3.3 Compatibility Of Components:** Equipment is designed for use with approved components and subsystems only. Substitutions or replacements made with non-approved components or subsystems may jeopardize compatibility of equipment and may affect the safety and reliability of the complete system.

**3.4 Making Connections:** Only use self-locking snap hooks and carabiners with this equipment. Only use connectors that are suitable to each application. Ensure all connections are compatible in size, shape and strength. Do not use equipment that is not compatible. Visually ensure all connectors are fully closed and locked. Connectors (snap hooks and carabiners) are designed for use only as specified in the user instruction manual provided with each product. See Figure 13 in Appendix B.

**DO NOT** use rebar hooks or any large-throat opening hooks with this tripod.

**3.5 Personal Fall Arrest System:** The additional PFAS components used with this equipment must meet applicable OSHA requirements. A FBH must be worn when this equipment is used as a component of a PFAS. As required by OSHA, the personal fall protection system must be able to arrest the user's fall with a maximum arresting force of 1,800 lbs., and limit the free fall to 6 feet or less. If the maximum free fall distance must be exceeded, the employer must document, based on test data, that the maximum arresting force will not be exceeded, and the personal fall protection system will function properly.

**3.5.1 PFAS Anchorage Strength:** The tripod shown in Table 1 is listed as having a minimum tensile strength of 5,000 lbs. To maintain OSHA compliance, the structure where the unit is installed must be capable of supporting at least 5,000 lbs, or be designed, installed and used as part of a PFAS, which maintains a safety factor of at least 2:1, under the supervision of a qualified person.

**3.5.2 Work Positioning:** Work positioning requires an anchorage capable of supporting 5,000 lbs applied in the direction permitted by the system.

**3.5.3 Personnel Riding:** A structure used for personnel riding, lowering and hoisting, must be able to support a static load of 2,500 lbs applied in the direction permitted by the system.

**3.5.4 Material Handling:** A structure used for material handling must be able to support a static load of 2,500 lbs applied in the direction permitted by the system.

**3.5.5 Rescue:** A structure used for rescue must be able to support a static load of 2,500 lbs applied in the direction permitted by the system.

**3.6 Definitions:** The following are definitions of terms as defined in ANSI Z359.0-2012.

**Authorized Person:** A person assigned by the employer to perform duties at a location where the person will be exposed to a fall hazard (otherwise referred to as "user" for the purpose of these instructions).

**Certified Anchorage:** An anchorage for fall protection, positioning, restraint, or rescue systems that a qualified person certifies to be capable of supporting the potential fall forces that could be encountered during a fall or that meet the criteria for a certified anchorage prescribed in the standard.

**Competent Person:** One who is capable of identifying existing and predictable hazards in the surroundings or working conditions which are unsanitary, hazardous, or dangerous to employees, and who has authorization to take prompt corrective measures to eliminate them.

**Qualified Person:** A person with a recognized degree or professional certificate and with extensive knowledge, training, and experience in the fall protection and rescue field who is capable of designing, analyzing, evaluating and specifying fall protection and rescue systems to the extent required by the standard.

**Rescuer:** Person or persons other than the rescue subject acting to perform an assisted rescue by operation of a rescue system.

### 4. INSTALLATION AND OPERATION

#### WARNING

**Do not alter or intentionally misuse this equipment. Consult FallTech when using this equipment in combination with components or subsystems other than those described in this manual.**

**Do not connect rebar hooks, large carabiners, or large snap hooks to the FBH dorsal**

**D-rings as this may cause a roll-out condition and/or unintentional disengagement.**

**Examine the work area. Take action to avoid sharp and/or abrasive surfaces or edges, i.e., rough concrete, corroded metals, metal roofing or steel decking.**

**Avoid electric hazards. Use caution when performing arc welding. Arc flash from arc welding operations, including accidental arcs from electrical equipment, can damage equipment and are potentially fatal. Be aware of chemical, environmental and atmospheric hazards that may be encountered in sewage treatment and chemical plants, refineries, explosive hazards and toxic fumes, including flammable gases and dust, and low oxygen content.**

**Other workplace hazards may include but not be limited to cable or debris tripping hazards, equipment failures, personnel mistakes, moving equipment such as carts, barrows, fork lifts, cranes, or dollies. Do not allow materials, tools or equipment in transit to contact any part of the entry/egress or fall protection system. Pay special attention to the lifeline. Do not work under suspended loads.**

**4.1 General Installation Requirements:** The tripod is designed for confined space entry and egress, fall protection, rescue and evacuation, and material handling. The user must perform specific job hazard analyses in accordance with OSHA regulations. Mitigate hazards in accordance with OSHA guidelines.

The tripod is most efficient when used at its maximum working extension height.

Ensure the installation surface is solid, free of loose sand, gravel, anything that might compromise footing. For more information on confined space practices and procedures, see Appendix C of this manual.

**4.2 First Time Pre-Use Assembly:** This step installs the device brackets. Once the brackets are installed, removal is unnecessary. Remove all components and pieces from the packing materials. Place the tripod on a work bench or on a flat surface.

Stand the tripod up, spread the legs out until all three head locking detent balls in the legs click into the holes in the head assembly. Refer back to Figure 1A. Note that the leg length adjustment pins will be in the transit/storage holes, approximately 14" below the head assembly. These holes are for storing the pins during transit and storage. Remove the pin from one leg. Extend that leg to the first adjustment hole and insert the pin. Repeat on the other two legs.

The tripod is at approximately half its working height, to facilitate bracket installation.

**4.2.1 Install The Device Brackets:** The tripod is designed to use up to three device brackets. Bracket part number 7291B is the compatible bracket. Note on the head assembly the two pulleys at the top of two legs. The brackets install on one or both legs. To install a third bracket, an additional pulley is required. Find the bracket components. Fit the components for one bracket to one leg at approximately the bottom edge of the black and yellow safety tape. See Figure 3. Ensure the stationary device locking bar is at the bottom. Insert the bolts, place a lock washer on each one, thread the nuts on and tighten securely. Ensure the bracket is installed on the outside of the leg(s).

Fit the remaining bracket(s) to line up to a head pulley and tighten the nuts. Device bracket installation is complete.

Remove the leg securing detent pins from the legs, retract the legs all the way and put the pins into the storage location. Disengage the detent balls in the head assembly and put the legs together. Place the tripod in the provided carrying bag.

**4.3 Tripod Set-up:** Remove the tripod from the carrying bag. Before each use, inspect the tripod and ensure it is in proper working order, in accordance with the inspection procedures in Section 7 of this manual.

Stand the tripod up, near or over the confined space entry point. Use caution. Avoid stepping, falling, or dropping tools or parts into the confined space. Spread the legs out until all three head locking detent balls in the head assembly click into the holes in the legs.

Remove one leg securing detent pin from its storage location, extend that leg to its first adjustment hole and insert the leg securing detent pin. Repeat with the remaining legs. The tripod is at approximately half its working height, to facilitate device installation, as shown in Figure 4.

**NOTE:** Leg height may be adjusted to accommodate uneven surfaces or raised edges. Before attaching the entrant to the leg end connector, ensure the tripod is straight upright, and the head assembly is level, as shown in Figure 5.

**4.3.1 Install the Winch/Devices:** This step installs the device(s) on the tripod. The winch and device should have one half of the mating bracket already installed.

Place the winch/device bracket onto the leg bracket. Ensure the mating slots on the winch/device bracket engage the leg bracket rod as shown in Figure 5A and 5B. Align the top holes, and insert the integral device securing detent pin.

Remove enough cable from the device(s) to drop the leg end connector down through the tripod head assembly to the working surface. Slip the cable under the cable retainer as shown in Figure 6.

**4.4 Use of the Tripod:** Ensure the tripod is centered over the confined space opening, and that the attendant and entrant, or any personnel involved in a rescue, would not inadvertently step into the confined space opening during normal operation or in a rescue situation.

Ensure the feet are deployed to the proper application for the surface, i.e., on the rubber pads for firm surfaces. Flip the feet up and out to deploy the teeth for loose, shifting, or soft surfaces.

With the devices installed, extend the legs to raise the tripod height. Remove the leg securing detent pin on one leg extend that leg out until the leg locking detent ball clicks into place, as shown in Figure 4. Insert leg securing detent pin in the leg. Repeat with the two remaining legs.

Pass the leg securing chain through the eye bolts at the bottom of the legs, take up as much slack as possible, and fasten with the threaded link to prevent the legs from spreading due to a fall arrest event. See Figure 4.

#### **WARNING**

**Ensure the leg securing detent pins are inserted through the appropriate holes in the tripods legs, and the detent ball pins are properly inserted.**

The device should be at a comfortable height for use. Adjust device bracket if necessary. The leg end connector for the device should be within reach.

**4.5 Install Additional Fall Protection Devices:** The eye bolts under the head assembly are for additional devices such as SRDs, a Fall Arrestor Connecting Subsystem (FACSS), or a rope rescue system. See Figure 7. Do not use winch or 3-Way SRL-R device cables in a secondary pulley installed in eyebolts. Winch and device cables must be installed in the pulleys on the head assembly. The tripod is normally equipped with two pulleys in the head assembly, with an option for a third. Ensure the brackets are installed on the outside of the leg(s).

**4.6 Connect to the Device:** Grasp the device leg end connector, keep the line taut, and wind enough cable from the device to connect to the dorsal D-ring of the entrant's full body harness.

Ensure working lines are free of entanglement and contact with sharp edges. Avoid swing fall. Use of the tripod for suspension or personnel riding requires a back-up fall protection system. The tripod discussed in this manual is equipped with provisions for a back-up fall protection system.

Fall protection applications require the user to meet OSHA requirements. Ensure the working surface will support fall protection loads. See Section 3. Fall protection systems must include a FBH as the body wear component. A typical PFAS would include a FBH, a connecting subsystem or component (SRL or lifeline and a rope grab) and approved connectors to connect the system together. Position the entrant for entrance into the confined space. For additional information on using the devices, consult the manufacturer's user instruction manual supplied at time of shipping.

**4.7 Dismantle the Tripod:** To dismantle the tripod, reverse the order of set-up.

Store in the bag provided.

For additional information on confined space, see Appendix C of this manual.

## **5. SPECIFICATIONS**

See Table 1.

## **6. MAINTENANCE AND STORAGE**

Clean the unit with a mild detergent and water solution. Dry with suitable cloth.

Store with the leg pins in the storage/transit holes, in a cool place out of direct sunlight. Avoid chemical vapors and physical damage to the unit.

Inspect after periods of prolonged storage.

Any repairs must be completed by the manufacture or a repair entity with written authorization to make repairs to this unit.

## **7. INSPECTION OF TRIPOD**

Prior to each use, the user must inspect the tripod for any physical damage.

Inspect for:

1. Inspect the entire unit for signs of corrosion, cracks, and deformities
2. Inspect all fasteners to ensure each is securely tightened.
3. Inspect all locking and detent pins are in place
4. Ensure the foot of each leg is secure, with the rubber foot pad attached.
5. Ensure the chain is complete and in good working order.
6. Ensure the pulleys and eye bolts are secure
7. Inspect the labels to be sure they're present and legible

An inspection by a competent person other than the user is required every six months. Use the steps in this manual.

If routine inspection reveals an unsafe condition, tag the tripod as "UNUSABLE".

After a fall event, inspect the entire unit for damage.

Record the results of each

## **8. LABELS**

The following label must be present and legible.

Tripod size     
7' 8' 7-11'

www.faltech.com

Material: Aluminum  
and Steel

Capacity: 620 lbs.  
for material  
handling

Capacity: 130 lbs  
to 310 lbs (including  
clothing, tools, etc.)  
for personnel

ANSI Z359.1-2007  
ANSI Z117.1-2009  
ANSI A10-32-2012  
ANSI Z117.4-2013

OSHA 1910.146  
OSHA 1926.502

Date of Mfg: 03-2015  
Serial #: 123456789  
MODEL#: 987654321

**WARNING**

Always follow manufacturer's instruction manual included with equipment at time of shipment. Failure to comply may result in serious injury or death. Refer to instructions for proper method of connecting to tripod. Ensure all connectors are compatible. Be aware of hazards such as thermal, electrical, chemical and environmental. Avoid sharp edges and abrasive surfaces.

**INSPECTION**

Inspect before each use. Remove the tripod from service if routine inspection shows an unsafe condition. Refer to instruction manual for complete inspection details.

**INSTALLATION**

Stand the tripod upright. Spread the legs, one at a time, until the head assembly detents lock. Adjust leg length to suit, one leg at a time. Ensure the height adjustment detent ball pins are inserted in the appropriate adjustment holes before placing a load on the tripod. Ensure feet are correctly oriented for the surface. Adjust individual leg length to compensate for uneven ground. Thread the safety chain through the eyebolt immediately above each foot, pull taut, secure with threaded link. The eye bolts in the tripod head assembly are for fall protection anchor attachment only. Ensure winches and devices are installed on the outside of the legs, and that winch and device cables run over the head assembly pulleys. Ensure the confined space entrant is attached to the tripod with an approved full body harness. Refer to instruction manual for complete installation and use details.

03/2015

1085

**DO NOT REMOVE LABEL**

## Manual de instrucciones para el usuario

# Trípode para espacios confinados de 8 pies (2,4 m)

Este manual está destinado para cumplir con las instrucciones del fabricante, según lo requieren las normas Z359.1-2007, Z117.1-2009, A10-32-2012, del Instituto Nacional de Normas de los Estados Unidos (ANSI), y los reglamentos 1926.502, 1926.21, y 1910.146 de la Ley de Seguridad y Salud Ocupacional (OSHA), y debe ser utilizado como parte de un programa de capacitación de empleados según lo requerido por la OSHA. El usuario del equipo descrito en este manual debe leer y entender este manual antes de comenzar a trabajar, o si es necesario, alguien debe explicárselo. Este manual asume que el usuario ha sido capacitado en el uso de este equipo en un entorno de espacios confinados que requiera o no un permiso.

### ADVERTENCIA

**Este producto es parte de un sistema personal de protección contra caídas, de restricción, posicionamiento del trabajo, suspensión o de rescate. Un Sistema personal de detención de caídas (PFAS, por sus siglas en inglés) por lo general está compuesto de un anclaje y un Arnés de cuerpo completo (FBH, por sus siglas en inglés), con un dispositivo de conexión, es decir, una Cuerda de salvamento con amortiguación (SAL, por sus siglas en inglés), o un Dispositivo autorretráctil (SRD, por sus siglas en inglés), conectado al anillo en "D" dorsal del FBH.**

**Estas instrucciones se deben proporcionar al usuario de este equipo. El usuario debe leer y comprender las instrucciones del fabricante para cada componente o parte del sistema completo. Las instrucciones del fabricante deben seguirse para el uso, cuidado y mantenimiento correctos de este producto. Estas instrucciones deben conservarse y mantenerse disponibles para consulta del usuario en todo momento. Las alteraciones o el uso indebido de este producto o no seguir las instrucciones pueden causar lesiones graves o la muerte.**

**Un Plan de protección contra caídas debe estar archivado y disponible para su revisión por parte de todos los usuarios. El usuario y el comprador de este equipo tienen la responsabilidad de asegurarse de que los usuarios de este equipo están debidamente capacitados sobre su uso, mantenimiento y almacenamiento. La capacitación se debe repetir a intervalos regulares. La capacitación no debe someter a los usuarios a peligros de caídas.**

**Cuando este equipo está en uso, el empleador debe tener un plan de rescate y los medios a la mano para implementarlo, y debe comunicar el plan a los usuarios, las personas autorizadas y al personal de rescate.**

Consulte a un médico si hay razones para dudar de su aptitud para absorber con seguridad el impacto de un evento de caída. La edad y el estado físico afectan gravemente a la capacidad de los trabajadores para soportar caídas. Las mujeres embarazadas y los menores de edad no deben utilizar este equipo.

**NOTA:** Para obtener más información, consulte ANSI Z359

**FallTech**  
1306 South Alameda Street  
Compton, CA 90221, USA  
1-800-719-4619  
1-323-752-0066  
[www.falltech.com](http://www.falltech.com)  
©2015

**1. DESCRIPCIÓN**

1.1 Instituto Nacional de Normas de los Estados Unidos (ANSI) y Ley de Seguridad y Salud Ocupacional (OSHA)

**2. APLICACIÓN**

2.1 Objetivo  
2.2 Límites de la aplicación

**3. REQUISITOS DEL SISTEMA**

3.1 Capacidad  
3.2 Compatibilidad de conectores  
3.3 Compatibilidad de componentes  
3.4 Realizar las conexiones  
3.5 Sistema personal de detención de caídas  
3.5.1 Resistencia del anclaje del PFAS  
3.5 Posicionamiento del trabajo  
3 Montaje de personal  
4 Manejo de materiales

3.5.5 Rescate  
3.6 Definiciones

**4. INSTALACIÓN Y OPERACIÓN**

4.1 Requisitos generales de instalación  
4.2 Ensamblaje previo al uso  
4.2.1 Instalar los soportes del dispositivo con cabrestante  
4.3 Configuración del trípode  
4.3.1 Instalar el cabrestante/dispositivos  
4.4 Uso del trípode  
4.5 Instalar dispositivos adicionales de protección contra caídas:  
4.6 Conectar al dispositivo  
4.7 Desmontar el trípode

**5. ESPECIFICACIONES**

**6. MANTENIMIENTO Y ALMACENAMIENTO**

**7. INSPECCIÓN DEL TRÍPODE**

**8. ETIQUETAS**

**1. DESCRIPCIÓN**

El trípode para espacios confinados Contractor de FallTech® de 8 pies (2,4 m) está destinado principalmente para las personas que entren y trabajen en espacios confinados, con o sin requerimiento del permiso. La OSHA define un espacio confinado como cualquier espacio con aberturas limitadas para entrar y salir, el cual es lo suficientemente grande para que un trabajador ingrese y realice un trabajo, y que no esté diseñado para la ocupación continua de un trabajador. Los espacios confinados incluyen pero no están limitados a tanques, recipientes de almacenamiento, arquetas, pozos, silos, bóvedas subterráneas de servicios públicos y cañerías. Consultar 29 CFR 1910.146.

Los espacios confinados que requieren permiso son espacios confinados que, además de tener entrada/salida limitadas, también contienen algún tipo de peligro, ya sea ambiental o atmosférico, maquinaria sin vigilancia, componentes eléctricos expuestos, peligros de sepultamiento, o con una forma cónica inclinado hacia abajo. Consultar 29 CFR 1910.146.

El trípode proporciona la estructura de apoyo para la entrada y salida para los sistemas de rescate/evacuación, y es el anclaje para los sistemas de protección contra caídas, posicionamiento de trabajo y montaje de personal. Consultar la Sección 2.

El trípode está compuesto por un ensamblaje de cabezal de aluminio fundido, equipado con poleas integradas en aluminio y protectores de la polea para los cables del dispositivo de rescate y recuperación y dos pernos para conectar uno o más PFAS. Las patas son de un tubo telescópico cuadrado de aluminio de 2 partes, fijado a la longitud especificada con pasadores. Los soportes para facilitar el uso de la entrada/salida pernos para elevar/bajar al personal, y dispositivos de protección contra caídas con SRL-R de 3 vías, se instalan en las patas. Las patas tienen nivelación automática y están equipadas con un borde marcado para pisos suaves y almohadillas de goma para superficies duras. Los pernos en la parte inferior de las patas facilitan el uso de una cadena de seguridad para evitar que las patas del trípode se separen de las cargas cuando el trípode está en uso.

Este manual contiene tres apéndices, el Apéndice A, B y C. El Apéndice A contiene las figuras y las tablas específicas para el trípode descrito en este manual. El Apéndice B contiene las figuras y las tablas aplicables a los equipos de protección contra caídas en general. El Apéndice C contiene información general, instalación y procedimiento de uso para el cabrestante para espacios confinados y el dispositivo de 3 vías que se usa en conjunción con el trípode descrito en este manual. Todas las referencias de figuras, tablas y gráficos en este manual están en el Apéndice A a menos que se indique lo contrario.

Para los efectos de este manual, el trípode en todas sus repeticiones se puede referir colectivamente como el trípode, el equipo, el producto o la unidad.

Consulte la Tabla 1 para el producto y especificaciones de los materiales y calificaciones. Consulte la Figura 1A para ver una ilustración de las partes y las características del producto, y en la Figura 1B para ver una ilustración de las dimensiones de trabajo.

**1.1 Instituto Nacional de Normas de los Estados Unidos (ANSI) y Ley de Seguridad y Salud Ocupacional (OSHA):** El trípode descrito en este manual, incluidos todos los dispositivos conectados al mismo, cumplen con las normas ANSI Z359.1-2007, ANSI Z359.4-2013, Z117.1-2009, A10-32-2012, y con los reglamentos para la industria en general 1926.502 y 1910.146 de la Ley de Seguridad y Salud Ocupacional (OSHA).

La OSHA requiere que todos los empleados que trabajen en una aplicación de espacio confinado sean capacitados sobre la naturaleza de los riesgos involucrados, sobre la precaución necesaria que deben tomar, y en el uso de equipos de protección y de emergencia.

**2. APLICACIÓN**

**2.1 Objetivo:** Una aplicación típica para espacio confinado es una configuración de trípode en un puerto de entrada, equipado con entrada/salida, protección contra caídas y dispositivos de rescate, es decir, cabrestantes para materiales y personal, dispositivos de cabrestante con SRL-R de 3 vías, un dispositivo autorretráctil (SRD) y un Subsistema de conexión de detenedor de caídas (FACSS). Consulte el Apéndice C de este manual.

Hay dos operadores de un trípode con un dispositivo. 1) la persona que entra está equipada con un arnés de cuerpo completo aprobado y permanece conectada a una cuerda de salvamento, y 2) el asistente, quien gira el cabrestante, dirige el cable, y mantiene un contacto permanente con la persona que entra, ya sea visualmente o por otros medios.

Cada dispositivo tiene una cierta configuración funcional. El cabrestante para personal es un dispositivo de ascenso y descenso operado manualmente que debe girar en ambos sentidos. El dispositivo de 3 vías es un SRD de protección contra caídas con una función de rescate.

Las operaciones en espacios confinados pueden ser descritas y planificadas de acuerdo a la forma en que se realizará la entrada y la salida mediante el uso de un equipo.

- La entrada en espacios confinados, con el uso de un trípode y un solo cabrestante como se muestra en la Figura 2A. La escalera es el método principal de entrada y salida. El cabrestante es un dispositivo de respaldo, para el dispositivo de recuperación de emergencia y de protección contra caídas. Debido a que el cabrestante carece de un amortiguador de energía, se requiere un asistente en todo momento para mantener la tensión de la cuerda de salvamento del dispositivo, para prevenir que las cargas de la protección contra caídas impacten sobre el mismo.



- La entrada en espacios confinados, con el uso de un trípode y un SRL-R de 3 vías como se muestra en la Figura 2B. La escalera es el método principal de entrada y salida. El SRL-R de 3 vías es el dispositivo de protección contra caídas y recuperación de emergencia. El SRL-R de 3 vías no está destinado como un cabrestante de elevación y descenso diario, y no debe utilizarse como un dispositivo principal de entrada y salida.
- La entrada en espacios confinados, con el uso de un trípode, un cabrestante y un SRL-R de 3 vías como se muestra en la Figura 2C. El cabrestante es el método principal de entrada y salida. El SRL-R de 3 vías es el dispositivo de protección contra caídas y recuperación de emergencia. El SRL-R de 3 vías no está destinado como un cabrestante de elevación y descenso diario, y no debe utilizarse como un dispositivo principal de entrada y salida.

**2.2 Límites de la aplicación:** Tome medidas para evitar los bordes afilados, superficies y bordes ásperos, abrasivos u oxidados y peligros térmicos, eléctricos y químicos. Asegúrese de que el trípode esté en tierra firme, el cabezal del trípode esté nivelado con la superficie, las patas están en contacto con la superficie, y los pasadores y las retenciones son utilizados adecuadamente.

Cuando se utiliza con un dispositivo de FallTech, el trípode está clasificado para 1 trabajador con un peso máximo de 310 libras (140 kg) (incluyendo toda la ropa, herramientas y equipos).

Para las aplicaciones de recuperación de emergencia, más de una persona puede estar conectada al trípode. Para fines de salvamento, los dispositivos se pueden montar en cualquier manera y lugar que podría facilitar el rescate.

**NOTA:** Cuando se utiliza como un dispositivo de descenso/elevación de materiales, el trípode está clasificado para 620 libras (281 kg).

### 3. REQUISITOS DEL SISTEMA

**3.1 Capacidad:** La capacidad del trípode en las especificaciones se indica como 310 libras (140 kg) incluyendo las herramientas, ropa, etc. Para aplicaciones de manipulación de materiales con un cabrestante determinado para el manejo de materiales, la capacidad del trípode es de 620 libras (281 kg). Cuando está en su extensión máxima, el trípode FallTech tiene una altura de elevación máxima de 80" (2,03 m) por encima de la superficie de trabajo. Asegúrese de que el personal se pueda retirar del espacio en el caso de un rescate.

**3.2 Compatibilidad de conectores:** Los conectores son considerados compatibles con elementos de conexión cuando se han diseñado para funcionar en conjunto, de manera que sus formas y tamaños no causen que sus mecanismos de compuerta se abran inadvertidamente, de manera independiente a la forma en que queden orientados. Comuníquese con FallTech si tiene alguna pregunta acerca de la compatibilidad. Los conectores deben ser compatibles con el anclaje u otros componentes del sistema. No utilice el equipo que no sea compatible. Los conectores no compatibles pueden soltarse accidentalmente. Los conectores deben ser compatibles en tamaño, forma y resistencia. Los mosquetones y ganchos de cierre automático son requeridos por la OSHA.

**3.3 Compatibilidad de componentes:** El equipo está diseñado para su uso sólo con componentes y subsistemas aprobados. Las sustituciones o reemplazos realizados con componentes o subsistemas no aprobados pueden poner en peligro la compatibilidad de los equipos y pueden afectar a la seguridad y la fiabilidad del sistema completo.

**3.4 Realizar las conexiones:** Utilice sólo mosquetones y ganchos de cierre automático con este equipo. Utilice sólo los conectores que son adecuados para cada aplicación. Asegúrese de que todas las conexiones son compatibles en tamaño, forma y resistencia. No utilice el equipo que no sea compatible. Asegúrese visualmente de que todos los conectores están completamente cerrados y bloqueados. Los conectores (mosquetones y ganchos de cierre automático) están diseñados para utilizarse sólo como se especifica en el manual de instrucciones para el usuario proporcionado con cada producto. Consulte la Figura 13 en el Apéndice B.

**NO** utilice los ganchos con refuerzo o cualquier gancho de cierre instantáneo de cuello grande con este trípode.

**3.5 Sistema personal de detención de caídas:** Los componentes adicionales del PFAS utilizados con este equipo deben cumplir con los requisitos aplicables de la OSHA. Se debe utilizar un Arnés de cuerpo completo (FBH, por sus siglas en inglés) cuando se utiliza este equipo como un componente de un PFAS. La OSHA exige el uso del sistema personal de protección contra caídas para detener la caída del usuario con una fuerza máxima de detención de 1.800 libras (816,5 kg), y para limitar la caída libre a 6 pies (1,8 m) o menos. Si se debe exceder la distancia máxima de caída libre, el empleador debe documentar, con base en los datos de prueba, que no se excederá de la fuerza máxima de detención, y que el sistema personal de protección contra caídas funcionará correctamente.

**3.5.1 Resistencia del anclaje del PFAS:** El trípode mostrado en la Tabla 1 tiene una fuerza a la tensión mínima de 5.000 libras (2.268 kg). Para mantener el cumplimiento con la OSHA, la estructura en la cual está instalada la unidad debe poder soportar por lo menos 5.000 libras (2.268 kg), o ser diseñada, instalada y usada como parte de un PFAS, el cual mantenga un factor de seguridad de por lo menos 2:1, bajo la supervisión de una persona calificada.

**3.5 Posicionamiento del trabajo:** El posicionamiento del trabajo requiere un anclaje capaz de soportar 5.000 libras (2.268 kg) aplicados en la dirección permitida por el sistema.

**3 Montaje de personal:** Una estructura utilizada para el montaje, descenso y elevación del personal, debe ser capaz de soportar una carga estática de 2.500 libras (1.134 kg) aplicada en la dirección permitida por el sistema.

**3.5.4 Manejo de materiales:** Una estructura utilizada para la manipulación del material debe ser capaz de soportar una carga estática de 2.500 libras (1.134 kg) aplicada en la dirección permitida por el sistema.

**3.5.5 Rescate:** Una estructura utilizada para el rescate debe ser capaz de soportar una carga estática de 2.500 libras (1.134 kg) aplicada en la dirección permitida por el sistema.

**3.6 Definiciones:** Las siguientes son las definiciones de los términos según se definen en la norma ANSI Z359.0-2012.

**Persona autorizada:** Una persona asignada por el empleador para realizar sus obligaciones en un lugar donde la persona estará expuesta a un peligro de caída (de lo contrario, se denomina como "usuario" a los efectos de estas instrucciones).

**Anclaje certificado:** Un anclaje para sistemas de protección contra caídas, posicionamiento, restricción, o de rescate que una persona calificada certifica de que puede soportar las posibles fuerzas de caída, las cuales podrían presentarse durante una caída o que cumplen con los criterios para un anclaje certificado previsto en la norma.

**Persona competente:** Una persona que es capaz de identificar los peligros existentes y predecibles en los alrededores o condiciones de trabajo que son insalubres o peligrosas para los empleados, y quien tiene la autorización para tomar con prontitud medidas correctivas para eliminarlos.

**Persona calificada:** Una persona con un título o certificado profesional reconocido y con amplios conocimientos, capacitación y experiencia en la protección contra caídas y el campo de rescate, quien es capaz de diseñar, analizar, evaluar y especificar los sistemas de protección contra caídas y sistemas de rescate en la medida exigida por la norma.

**Socorrista:** Persona o personas distintas al sujeto que actúa en la realización de un rescate asistido por la operación de un sistema de rescate.

## 4. INSTALACIÓN Y OPERACIÓN

### ADVERTENCIA

No altere ni utilice este equipo de manera indebida e intencional. Consulte a FallTech cuando utiliza este equipo en combinación con componentes o subsistemas distintos a los descritos en este manual.

No conecte ganchos de refuerzo, mosquetones grandes o ganchos de cierre instantáneo grandes a los anillos en "D" dorsales del FBH, ya que esto puede causar una condición de vuelco y/o la desconexión involuntaria.

Examine el área de trabajo. Tome medidas para evitar superficies o bordes abrasivos y/o afilados, por ejemplo, cemento rugoso, metales oxidados, techos metálicos o revestimientos de acero.

Evite los riesgos eléctricos. Tenga cuidado al realizar soldadura por arco. El destello de arco de las operaciones de soldadura por arco, incluyendo los arcos accidentales de los equipos eléctricos, pueden dañar el equipo y son potencialmente mortales. Sea consciente de los riesgos químicos, ambientales y atmosféricos que pueden encontrarse en el tratamiento de las aguas negras y las plantas químicas, refinerías, riesgos de explosión y humos tóxicos, incluyendo gases y polvo inflamables, y bajo contenido de oxígeno.

Otros riesgos en el lugar de trabajo pueden incluir, pero no se limitan a peligros de tropiezos con cables o desechos, fallas del equipo, los errores del personal, equipos en movimiento, tales como carros, carretillas, montacargas, o grúas. No permita que los materiales, herramientas o equipos en tránsito entren en contacto con cualquier parte de la entrada/salida o sistema de protección contra caídas. Preste especial atención a la cuerda de salvamento. No trabaje debajo de cargas en suspensión.

**4.1 Requisitos generales de instalación:** El trípode está diseñado para la entrada y salida de espacios confinados, la protección contra caídas, rescate y evacuación, y la manipulación de materiales. El usuario debe realizar análisis de peligros específicos en el trabajo de acuerdo a los reglamentos de la OSHA. Mitigue los riesgos de conformidad con las directrices de la OSHA.

El trípode es más eficaz cuando se utiliza en su altura máxima de trabajo.

Asegúrese de que la superficie de instalación es sólida, esté libre de arena suelta, grava, y todo lo que pueda comprometer la base. Para obtener más información sobre las prácticas y los procedimientos para espacios confinados, consulte el Apéndice C de este manual.

**4.2 Ensamblaje previo al uso:** Este paso instala los soportes del dispositivo. Una vez que los soportes quedan instalados, la remoción es innecesaria. Retire todos los componentes y piezas de los materiales de embalaje. Coloque el trípode en un banco de trabajo o sobre una superficie plana.

Coloque el trípode erguido, separe las patas hasta que las tres bolas de retención de bloqueo del cabezal en las patas encajen en los agujeros del montaje del cabezal. Consulte de nuevo la Figura 1A. Tenga en cuenta que los pasadores de ajuste de la longitud de las patas quedarán en los orificios de transporte/almacenamiento, aproximadamente a 14" (36 cm) por debajo del ensamblaje del cabezal. Estos orificios son para almacenar los pasadores durante el transporte y almacenamiento. Retire el pasador de una pata. Extienda esa pata hasta el primer agujero de ajuste e inserte el pasador. Repita en las otras dos patas.

El trípode queda a aproximadamente la mitad de su altura de trabajo, con el fin de facilitar la instalación del soporte.

**4.2.1 Instalar los soportes del dispositivo con cabrestante:** El trípode está diseñado para utilizar un máximo de tres soportes de dispositivo. El número de pieza de soporte 7291B es el soporte compatible. Tenga en cuenta en el ensamblaje del cabezal, las dos poleas en la parte superior de las dos patas. Los soportes se instalan en una o en ambas patas. Para instalar un tercer soporte, se requiere una polea adicional. Encuentre los componentes del soporte. Coloque los componentes para un soporte en una pata en aproximadamente el borde inferior de la cinta de seguridad negra y amarilla. Ver la Figura 3. Asegúrese de que la barra fija de bloqueo del dispositivo esté en la parte inferior. Inserte los pernos, coloque una arandela de bloqueo en cada uno, enrosque las tuercas y apriete con firmeza. Asegúrese de que el soporte está instalado en la parte exterior de la(s) pata(s).

Coloque el soporte(s) restante(s) alineado(s) en la polea del cabezal y apriete las tuercas. La instalación del dispositivo de soporte se ha completado.

Retire los pasadores de retención de las patas, retraiga las patas por completo, y coloque los pasadores en la posición de almacenamiento. Desconecte las bolas de bloqueo en el ensamblaje del cabezal y coloque las patas juntas. Coloque el trípode en la bolsa de transporte proporcionada.

**4.3 Configuración del trípode:** Saque el trípode de la bolsa de transporte. Antes de cada uso, inspeccione el trípode y asegúrese de que está en buen estado de funcionamiento, de conformidad con los procedimientos de inspección en la sección 7 de este manual.

Pare el trípode, cerca o en el punto de entrada del espacio confinado. Tenga cuidado. Evite pisar, dejar caer, o soltar herramientas o piezas en un espacio confinado.

Separe las patas hasta que las tres bolas de retención de bloqueo del cabezal en el ensamblaje del cabezal encajen en los agujeros en las patas.

Remueva un pasador de fijación de la pata de su ubicación de almacenamiento, extienda esa pata hasta su primer agujero de ajuste e inserte el pasador de retención de la pata. Repita con el resto de las patas. El trípode queda a aproximadamente la mitad de su altura de trabajo, con el fin de facilitar la instalación del dispositivo, como se muestra en la Figura 4.

**NOTA:** La altura de las patas puede ser ajustada para acomodarlas a las superficies irregulares o bordes levantados. Antes de conectar a la persona que entra con el conector del extremo de la pata, asegúrese de que el trípode está recto, y el ensamblaje del cabezal está nivelado, como se muestra en la Figura 8.

**4.3.1 Instalar el cabrestante/dispositivos:** Este paso instala el dispositivo(s) en el trípode. El cabrestante y el dispositivo deben tener instalado la mitad del soporte de acoplamiento.

Coloque el soporte del cabrestante/dispositivo en el soporte de la pata. Asegúrese de que las ranuras de acoplamiento en el soporte del cabrestante/dispositivo queden conectadas a la varilla del soporte de las patas, como se muestra en la Figura 5A y 5B. Alinee los orificios superiores, e inserte el pasador de retención integral del dispositivo.

Extraiga el cable suficiente del dispositivo(s) para descender el conector del extremo de la pata a través del ensamblaje del cabezal del trípode hasta la superficie de trabajo. Deslice el cable por debajo del retenedor del cable como se muestra en la Figura 6.

**4.4 Uso del trípode:** Asegúrese de que el trípode está centrado sobre la apertura del espacio confinado, y que el asistente y la persona que entra, o cualquier personal que participa en el rescate, no tomen el relevo de manera inadvertida en la apertura del espacio confinado durante el funcionamiento normal o en una situación de rescate.

Asegúrese de que las patas estén desplegadas en la correcta aplicación de la superficie, es decir, en las almohadillas de goma para superficies firmes. Gire las patas hacia arriba y hacia afuera para desplegar los dientes para superficies flojas, cambiantes o blandas. Con los dispositivos instalados, extienda las patas para elevar la altura del trípode. Retire el pasador de retención de bloqueo en una pata hasta que las bolas de retención de bloqueo de la pata encajen en su sitio, como se muestra en la Figura 4. Inserte el pasador de retención en la pata. Repita con las dos patas restantes.

Pase la cadena de sujeción de la pata a través de los pernos en la parte inferior de las patas, trate de que quede la mayor holgura como sea posible, y fije con la varilla roscada para evitar que las patas se separen debido a un evento de detención de caídas. Ver la Figura 4.

#### **ADVERTENCIA**

**Asegúrese de que los pasadores de retención de bloqueo de las patas queden insertados a través de los orificios correspondientes en las patas del trípode, y los pasadores de la bola de retención queden insertados correctamente.**

El dispositivo debe estar a una altura cómoda para su uso. Ajuste el soporte del dispositivo si es necesario. El conector final de la pata para el dispositivo debe estar al alcance de la mano.

**4.5 Instalar dispositivos adicionales de protección contra caídas:** Los pernos debajo del ensamblaje del cabezal son para los dispositivos adicionales como los SRD, un Subsistema de conexión de detenedor de caídas (FACSS), o un sistema con cuerda de salvamento. Ver la Figura 7. No utilice los cables del cabrestante o SRL-R de 3 vías en una polea secundaria instalada en los pernos. El cabrestante y los cables del dispositivo se deben instalar en las poleas en el ensamblaje del cabezal. El trípode está normalmente equipado con dos poleas en el ensamblaje del cabezal, con una opción para una tercera. Asegúrese de que los soportes están instalados en la parte exterior de la(s) pata(s).

**4.6 Conectar al dispositivo:** Sujete el conector del extremo de la pata del dispositivo, mantenga la línea tensa y agarre suficiente cable desde el dispositivo para conectarlo con el anillo en "D" dorsal del arnés de cuerpo completo de la persona que entra.

Asegúrese de que las líneas de trabajo están libres de enredos y que no entren en contacto con los bordes afilados. Evite la caída con balanceo. El uso del trípode para la suspensión o montaje del personal requiere de un sistema de protección contra caídas de respaldo. El trípode descrito en este manual está equipado con disposiciones para un sistema de protección contra caídas de respaldo.

Las aplicaciones de protección contra caídas requieren que el usuario cumpla con los requisitos de la OSHA. Asegúrese de que la superficie de trabajo apoye las cargas de protección contra caídas. Consultar la Sección 3. Los sistemas de protección contra caídas deben incluir un FBH como componente de protección corporal. Un PFAS típico incluye un FBH, un subsistema o componente de conexión (SRL o cuerda de salvamento y agarre de cuerda) y conectores aprobados para conectar el sistema. Coloque el operador para el ingreso en el espacio confinado. Para obtener información adicional sobre el uso del dispositivo, consulte el manual de instrucción para el usuario del fabricante, suministrado en el momento de envío.

**4.7 Desmontar el trípode:** Para desmontar el trípode, invierta el orden de la configuración.

Almacene en la bolsa proporcionada.

Para obtener más información sobre los espacios confinados, consulte el Apéndice C de este manual.

## **5. ESPECIFICACIONES**

Consultar la Tabla 1.

## **6. MANTENIMIENTO Y ALMACENAMIENTO**

Limpie la unidad con una solución de agua y detergente suave. Seque con un paño apropiado.

Almacene con los pasadores de las patas en los agujeros de almacenamiento/transporte, en un lugar fresco fuera de la luz directa del sol. Evite los vapores químicos y daños físicos en la unidad. Inspeccione después de períodos de almacenamiento prolongado.

Las reparaciones deben ser realizadas por el fabricante o una entidad de reparación con autorización escrita para hacer reparaciones a esta unidad.

## **7. INSPECCIÓN DEL TRÍPODE**

Antes de cada uso, el usuario deberá inspeccionar el trípode para detectar cualquier daño físico.

Inspeccione para ver si tiene:

1. Inspeccione toda la unidad para determinar si hay signos de corrosión, grietas, y deformidades
2. Inspeccione todos los sujetadores para asegurarse de que todos estén bien ajustados.
3. Inspeccione para determinar que todos los pasadores de retención y bloqueo estén en su lugar
4. Asegúrese de que el pie de cada pata esté bien fijo, con la almohadilla de goma.
5. Asegúrese de que la cadena está completa y se encuentra en buen estado de funcionamiento.
6. Asegúrese de que las poleas y los pernos están bien fijos
7. Inspeccione las etiquetas para asegurarse de que estén presentes y legibles

Una inspección realizada por una persona competente distinta al usuario es necesaria cada seis meses. Utilice los pasos que se describen en este manual.

Si la inspección de rutina revela una condición insegura, se debe etiquetar el trípode como "INUTILIZABLE".

Después de un evento de caída, inspeccione toda la unidad en busca de daños.

Registre los resultados de cada una.

## **8. ETIQUETAS**

Las siguientes etiquetas deben estar presentes y legibles.

Tripod size     
7' 8' 7-11'

www.faltech.com

Material: Aluminum  
and Steel

Capacity: 620 lbs.  
for material  
handling

Capacity: 130 lbs  
to 310 lbs (including  
clothing, tools, etc.)  
for personnel

ANSI Z359.1-2007  
ANSI Z117.1-2009  
ANSI A10-32-2012  
ANSI Z117.4-2013

OSHA 1910.146  
OSHA 1926.502

Date of Mfg: 03-2015  
Serial #: 123456789  
MODEL#: 987654321

 **WARNING**

Always follow manufacturer's instruction manual included with equipment at time of shipment. Failure to comply may result in serious injury or death. Refer to instructions for proper method of connecting to tripod. Ensure all connectors are compatible. Be aware of hazards such as thermal, electrical, chemical and environmental. Avoid sharp edges and abrasive surfaces.

 **INSPECTION**

Inspect before each use. Remove the tripod from service if routine inspection shows an unsafe condition. Refer to instruction manual for complete inspection details.

 **INSTALLATION**

Stand the tripod upright. Spread the legs, one at a time, until the head assembly detents lock. Adjust leg length to suit, one leg at a time. Ensure the height adjustment detent ball pins are inserted in the appropriate adjustment holes before placing a load on the tripod. Ensure feet are correctly oriented for the surface. Adjust individual leg length to compensate for uneven ground. Thread the safety chain through the eyebolt immediately above each foot, pull taut, secure with threaded link. The eye bolts in the tripod head assembly are for fall protection anchor attachment only. Ensure winches and devices are installed on the outside of the legs, and that winch and device cables run over the head assembly pulleys. Ensure the confined space entrant is attached to the tripod with an approved full body harness. Refer to instruction manual for complete installation and use details.

03/2015

1085

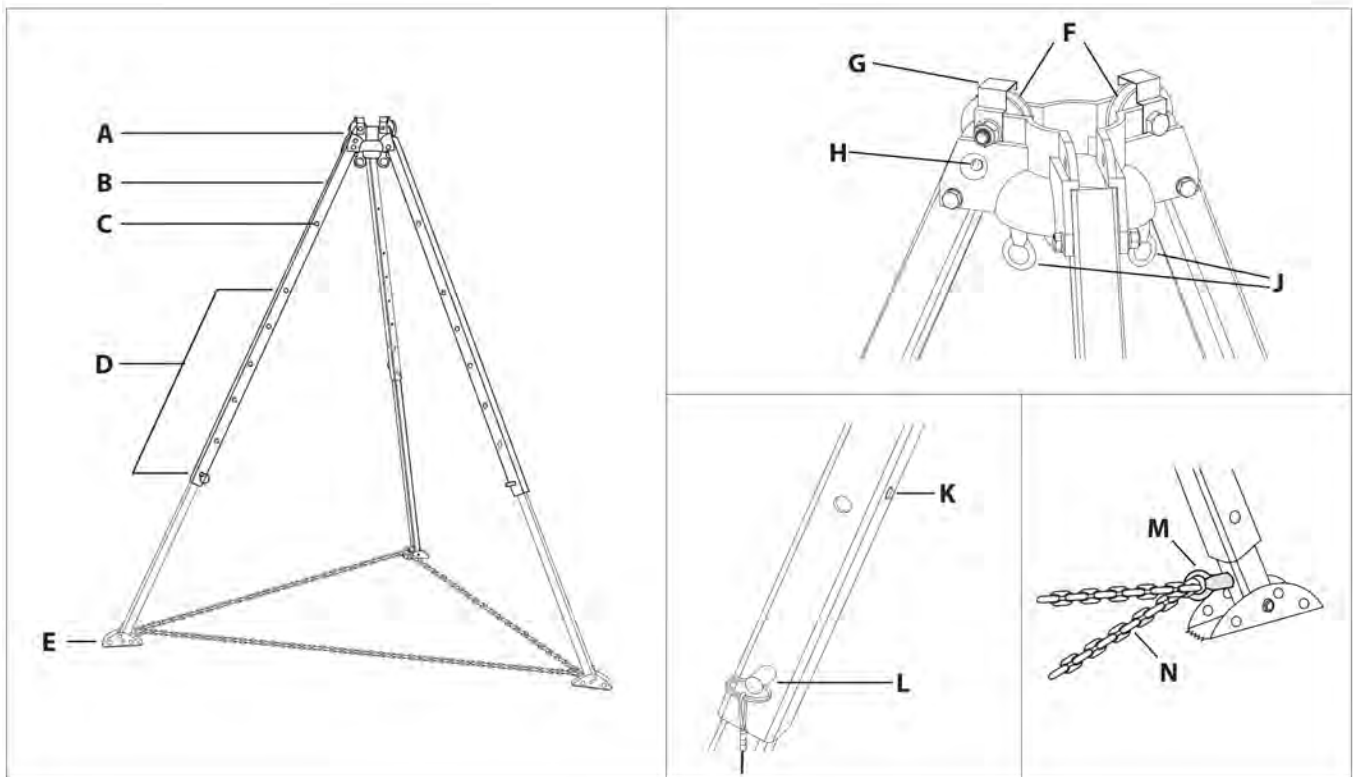
**DO NOT REMOVE LABEL**

**APPENDIX A**

<b>Table 1: 8 ft Tripod Specifications</b>			
<b>Model # and Strength</b>	<b>Materials</b>	<b>Capacity</b>	<b>Standards</b>
<p align="center"><b>7276</b> 8 ft Tripod <b>5,000 lbs</b> Tensile Strength</p>	<p>Tripod Head, Legs and Pulleys: <b>Aluminum</b></p> <p>Detent Pins: <math>\frac{1}{2}</math>" x <math>4\frac{1}{2}</math>" <b>Steel</b></p> <p>Tripod Feet, Eyebolts and Chain: <b>Steel</b></p>	<p><b>Personnel:</b> 130 to 310 lbs to comply with ANSI</p> <p><b>Materials:</b> 620 lbs</p>	<p>ANSI Z359.1-2007</p>

<b>Tabla 1: Especificaciones de trípode de 8 pies (2,4 m)</b>			
<b>No. de modelo y resistencia</b>	<b>Materiales</b>	<b>Capacidad</b>	<b>Estándar</b>
<p align="center"><b>7276</b> Trípode de 8 pies (2,4 m) <b>5,000 lbs</b> Resistencia de la tensión</p>	<p>Cabeza del trípode, piernas y poleas: <b>Aluminio</b></p> <p>Pasadores de retención: <math>\frac{1}{2}</math>" x <math>4\frac{1}{2}</math>" (1,3 cm x 11,4 cm) <b>Acero</b></p> <p>Patas del trípode, pernos y cadena: <b>Acero</b></p>	<p><b>Personal:</b> 130 a 310 libras (59 a 140,6 kg) para cumplir con ANSI</p> <p><b>Materiales:</b> 620 libras (281,2 kg)</p>	<p>ANSI Z359.1-2007</p>

TSC5811.2



**Figure 1A: About FallTech 8 ft Confined Space Tripod**

<b>A</b>	Tripod Head Assembly	<b>H</b>	Head Locking Detent Balls (3)
<b>B</b>	Extruded Aluminum Tripod Leg (3)	<b>J</b>	Integral Auxilliary Anchorage Eyebolts (2)
<b>C</b>	Leg Storage/Transit Hole (3)	<b>K</b>	Leg Locking Detent Balls (3)
<b>D</b>	Leg Height Adjustment Holes	<b>L</b>	Leg Securing Detent Pin (3)
<b>E</b>	Self-Leveling Tripod Feet (3)	<b>M</b>	Chain Retaining Eyebolts (3)
<b>F</b>	Integral Head-Mounted Pulleys (2)	<b>N</b>	Leg Securing Chain
<b>G</b>	Cable Retainers (2)		

**Figura 1A: Acerca del trípode FallTech de 8 pies (2,4 m) para espacios confinados**

<b>A</b>	Ensamblaje del cabezal del trípode	<b>H</b>	Bolas de detención de bloqueo del cabezal (3)
<b>B</b>	Pata del trípode de aluminio extruido (3)	<b>J</b>	Pernos del anclaje auxiliar integral (2)
<b>C</b>	Almacenamiento de la pata/Orificio de tránsito (3)	<b>K</b>	Bolas de detención de bloqueo de la pata (3)
<b>D</b>	Agujeros de ajuste de altura de la pata	<b>L</b>	Pasador de detención de bloqueo de la pata (3)
<b>E</b>	Patatas del trípode de nivelación automática (3)	<b>M</b>	Pernos de retención de la cadena (3)
<b>F</b>	Poleas integrales montadas en el cabezal (2)	<b>N</b>	Cadena de sujeción de la pata
<b>G</b>	Retenedores de cable (2)		

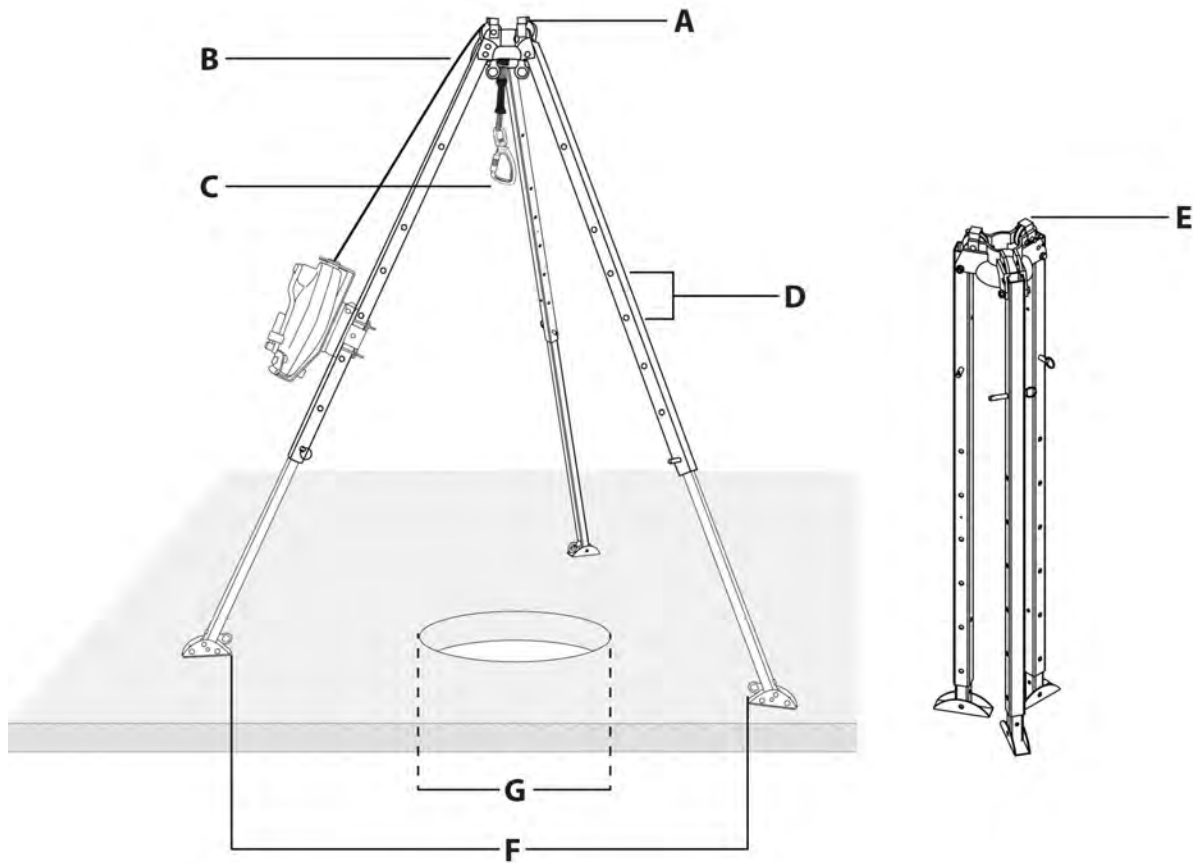
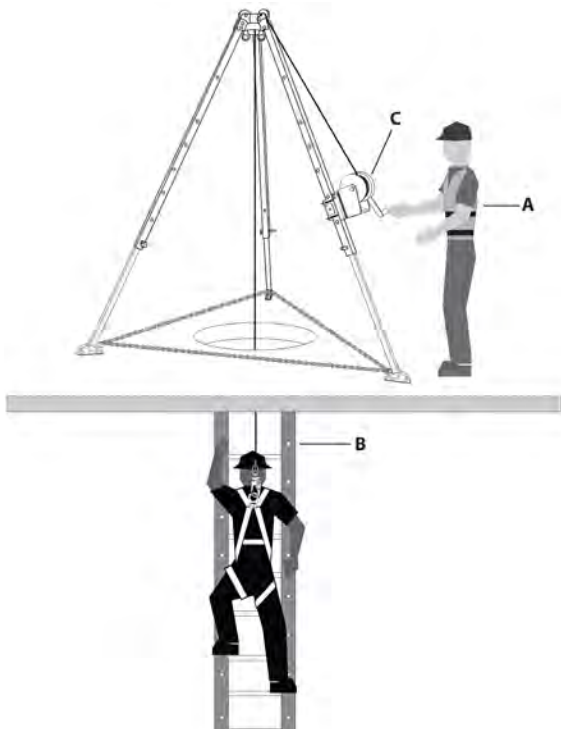


Figure 1B: 8 ft Tripod In-Use Dimensions		Maximum Adjusted Leg Height	Minimum Adjusted Leg Height
A	External Height	97"	61"
B	Internal Working Height	91"	55"
C	Lift Height Range	80"	*54"
D	Leg Height Adjust Increments	6"	N/A
E	Folded Storage/Transit Height	64"	N/A
F	Leg Spread Diameter- Inside Foot	82"	48"
G	Entry/Egress Hole Diameter	41"	*24"
	Tripod Weight	50 lbs	-

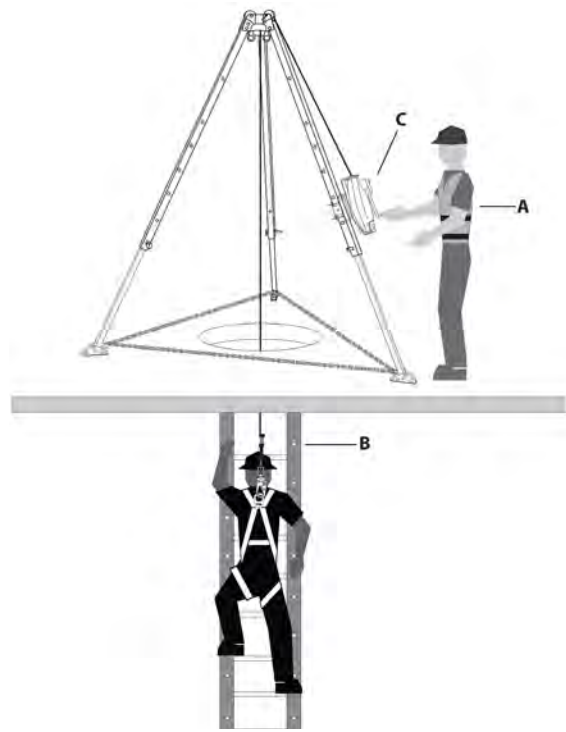
\* Must provide adequate clearance for Worker Rescue

Tabla 1B: Dimensiones en uso del trípode de 8 pies (2,4 m)		Altura de la pata ajustada Máxima	Altura de la pata ajustada Mínima
A	Altura externa	97" (246,4 cm)	61" (155 cm)
B	Altura de trabajo interno	91" (231 cm)	55" (138 cm)
C	Rango de altura de elevación	80" (203 cm)	*54" (137,2 cm)
D	Incrementos de ajuste de la altura de las patas	6" (15,2 cm)	N/A
E	Almacenamiento plegado/Altura de tránsito	64" (162,6 cm)	N/A
F	Diámetro de despliegue de la pierna - pata interna	82" (208,3 cm)	48" (122 cm)
G	Diámetro del orificio de entrada/salida	41" (104,1 cm)	*24" (61 cm)
	Peso del trípode	50 libras (22,7 kg)	-

\* Debe disponer de espacio libre suficiente para el rescate del trabajador



DSCS82A.2



DSCS82B.2

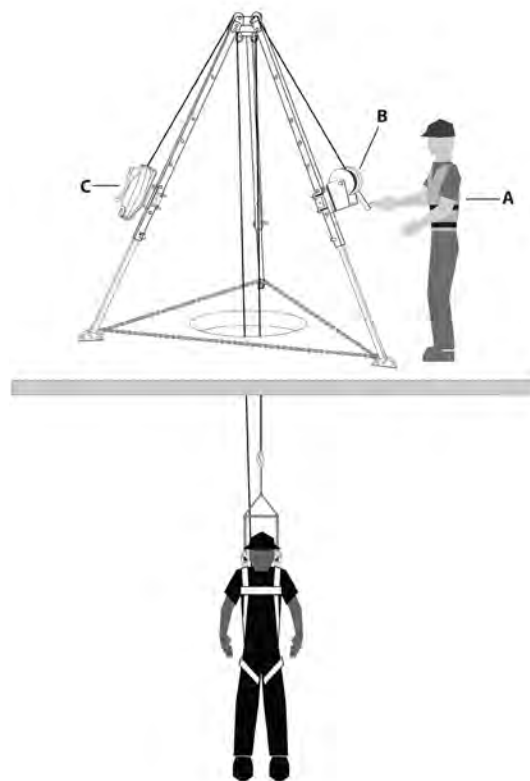
Figure 2A: Tripod Use with Winch Only	
A	Attendant Required
B	Ladder: Primary Method of Entry and Egress
*C	Winch: Fall Protection and Emergency Retrieval

TSCS82A.2

Figure 2B: Tripod Use with 3-Way SRL-R Only	
A	Attendant Required
B	Ladder: Primary Method of Entry and Egress
C	3-Way SRL-R: Fall Arrest and Emergency Retrieval

TSCS82B.2

\* Winch Cable must remain taut

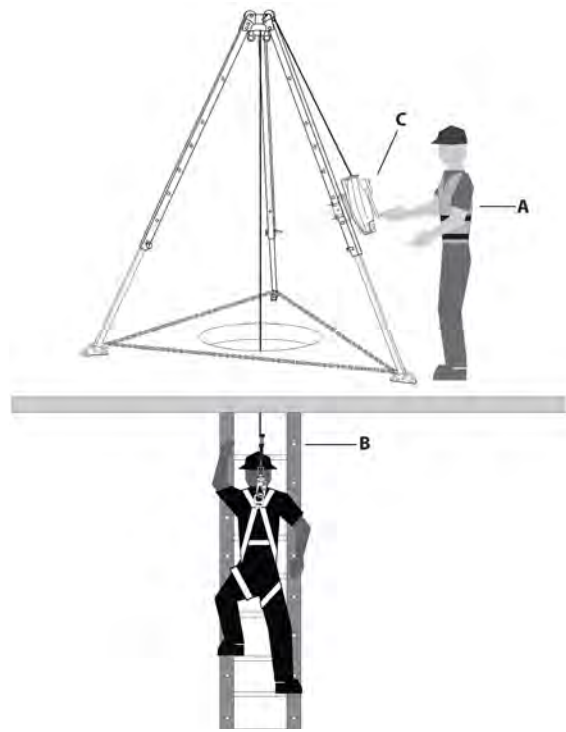
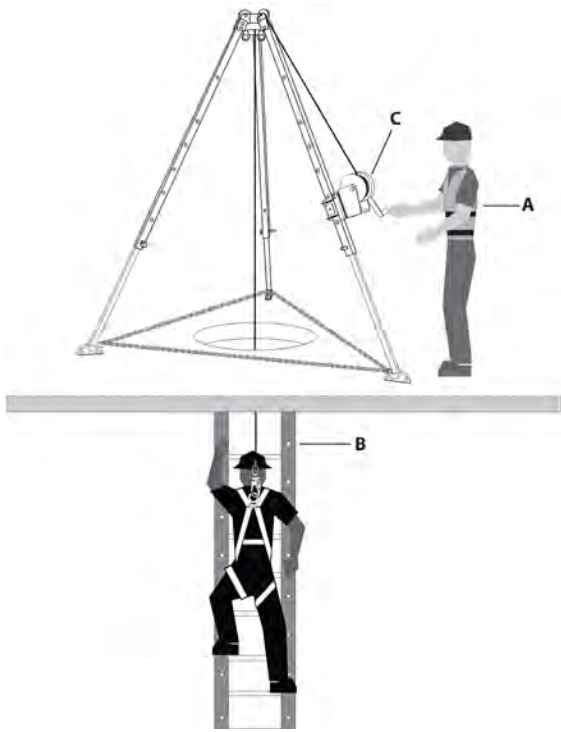


DSCS82C.2

Figure 2C: Tripod Use with Winch and 3-Way SRL-R	
A	Attendant Required
B	Winch: Primary Method of Entry and Egress
C	3-Way SRL-R: Fall Arrest and Emergency Retrieval

TSCS82C.1





**Figura 2A: Uso del trípode con cabrestante únicamente**

A	Asistente requerido
B	Escalera: Método principal de entrada y salida
*C	Cabrestante: Protección contra caídas y recuperación de emergencia

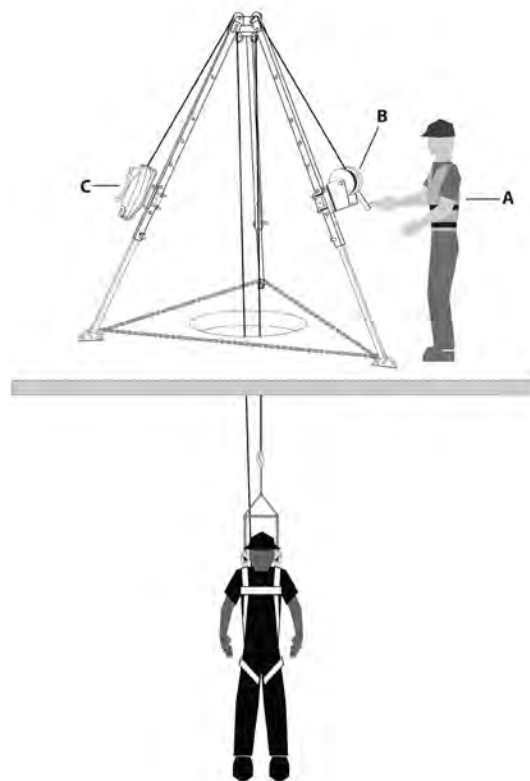
TSCS82A.2

**Figura 2B: Uso del trípode con SRL-R de 3 vías únicamente**

A	Asistente requerido
B	Escalera: Método principal de entrada y salida
C	SRL-R de 3 vías: Detención de caídas y recuperación de emergencia

TSCS82B.2

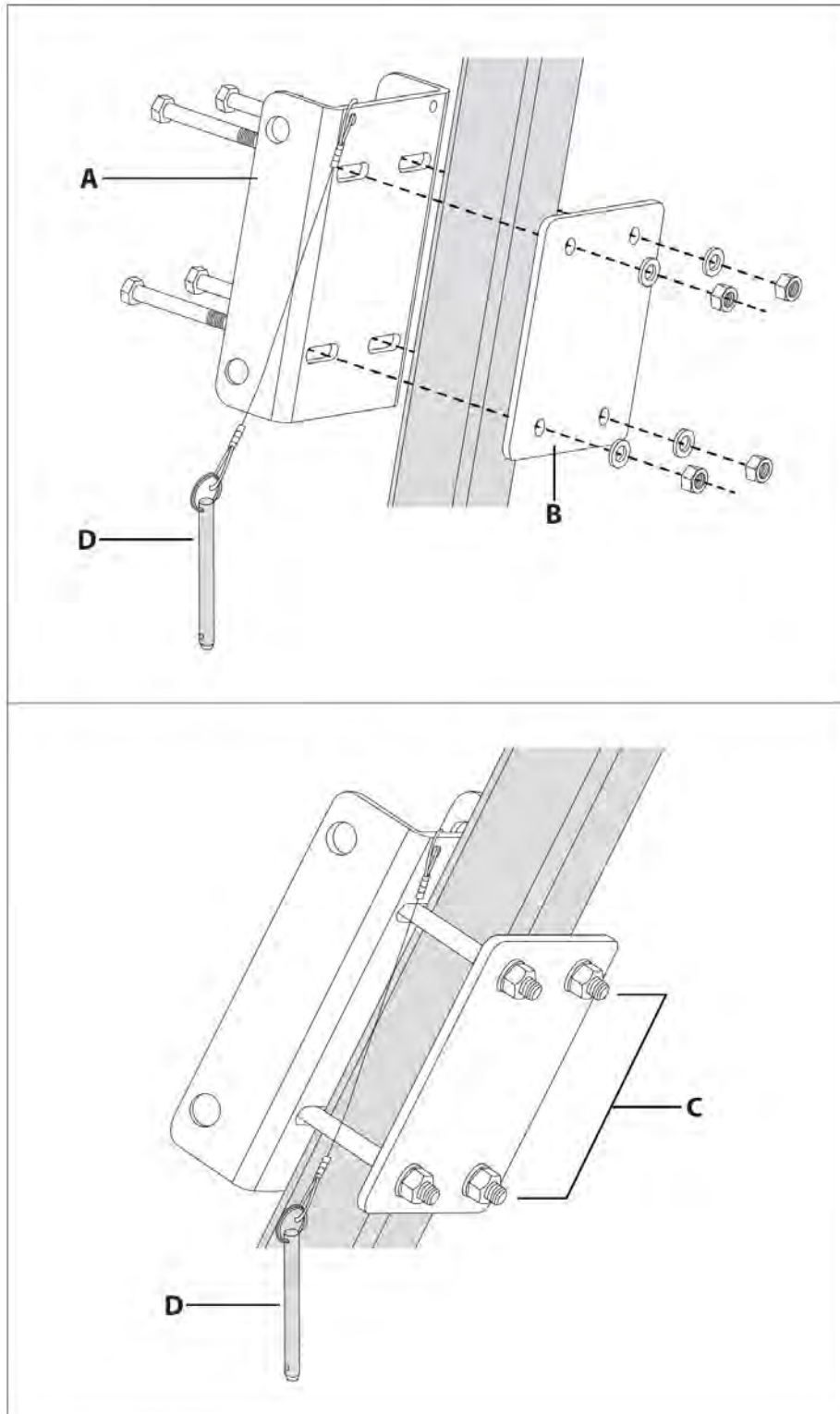
\* El cable del cabrestante debe permanecer tensionado



**Figura 2C: Uso del trípode con cabrestante y SRL-R de 3 vías**

A	Asistente requerido
B	Cabrestante: Método principal de entrada y salida
C	SRL-R de 3 vías: Detención de caídas y recuperación de emergencia

TSCS82C.1

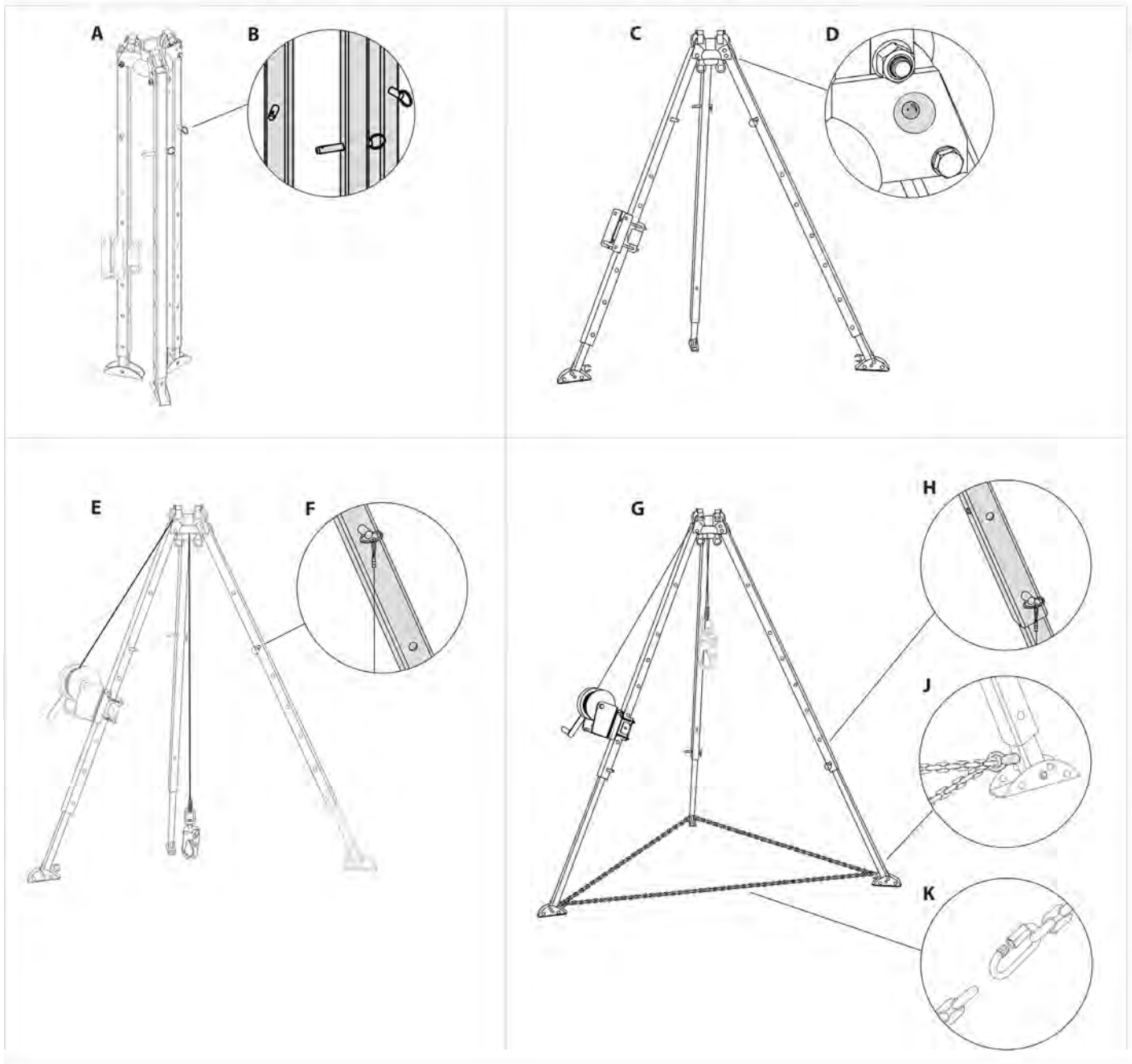


**Figure 3: Attach Leg Bracket to Tripod Leg**

<b>A</b>	Leg Bracket Front Plate for Outside of Leg
<b>B</b>	Leg Bracket Back Plate for Inside of Leg
<b>C</b>	Tighten All Four (4) Nuts
<b>D</b>	Integral Device Securing Detent Pin

**Figura 3: Fijar soporte de la pierna a la pata del trípode**

<b>A</b>	Placa frontal del soporte de la pata para el exterior de la pata
<b>B</b>	Placa trasera del soporte de la pata para el interior de la pata
<b>C</b>	Apriete las cuatro (4) tuercas
<b>D</b>	Pasador de retención del dispositivo integral

**Figure 4: Set-up 8 ft Tripod**

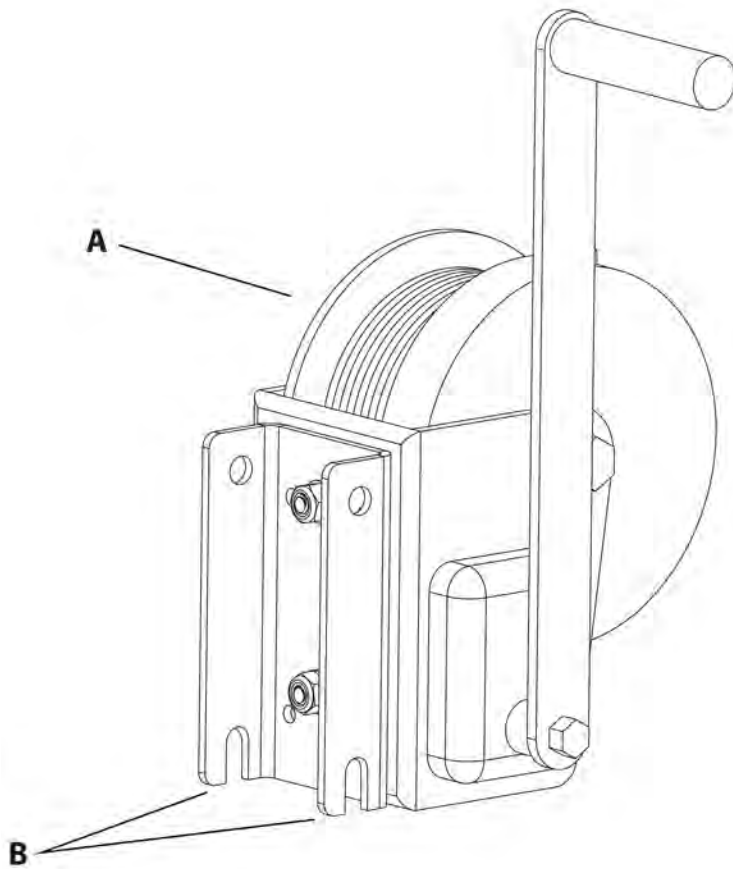
<b>A</b>	Initial Collapsed Height
<b>B</b>	Detent Pins Secure Legs for Storage/Transit Height
<b>C</b>	Spread Legs Open at Collapsed Height
<b>D</b>	Head-Locking Detent Balls Secure Legs in place
<b>E*</b>	Device Attached before Final Height Adjustment
<b>F</b>	Detent Pins in First Adjustment Holes
<b>G</b>	Legs Extended to Tallest Height
<b>H</b>	Tallest Height with Leg Locking Detent Pin in last adjustment holes
<b>J</b>	Legs Secured with Retaining Chain through Eyebolts
<b>K</b>	Chain Length Adjustment Link

\*See Figures 5A, 5B and 6 for attaching Leg Bracket and Device

**Figura 4: Configuración del trípode de 8 pies (2,4 m)**

<b>A</b>	Altura colapsada inicial
<b>B</b>	Pasadores de retención de las patas para almacenamiento/altura de tránsito
<b>C</b>	Abrir las piernas en la altura colapsada
<b>D</b>	Colocar las bolas de retención de bloqueo del cabezal que aseguran a las patas
<b>E*</b>	Dispositivo conectado antes del ajuste de altura final
<b>F</b>	Pasadores de retención en los primeros agujeros de ajuste
<b>G</b>	Patatas extendidas a la mayor altura
<b>H</b>	Altura más alta con el pasador de retención de bloqueo de las patas en los últimos orificios de ajuste
<b>J</b>	Patatas sujetas con la cadena de retención a través de los pernos
<b>K</b>	Enlace de ajuste de la longitud de la cadena

\*Consulte las Figuras 5A, 5B y 6 para conectar el soporte de la pata y el dispositivo

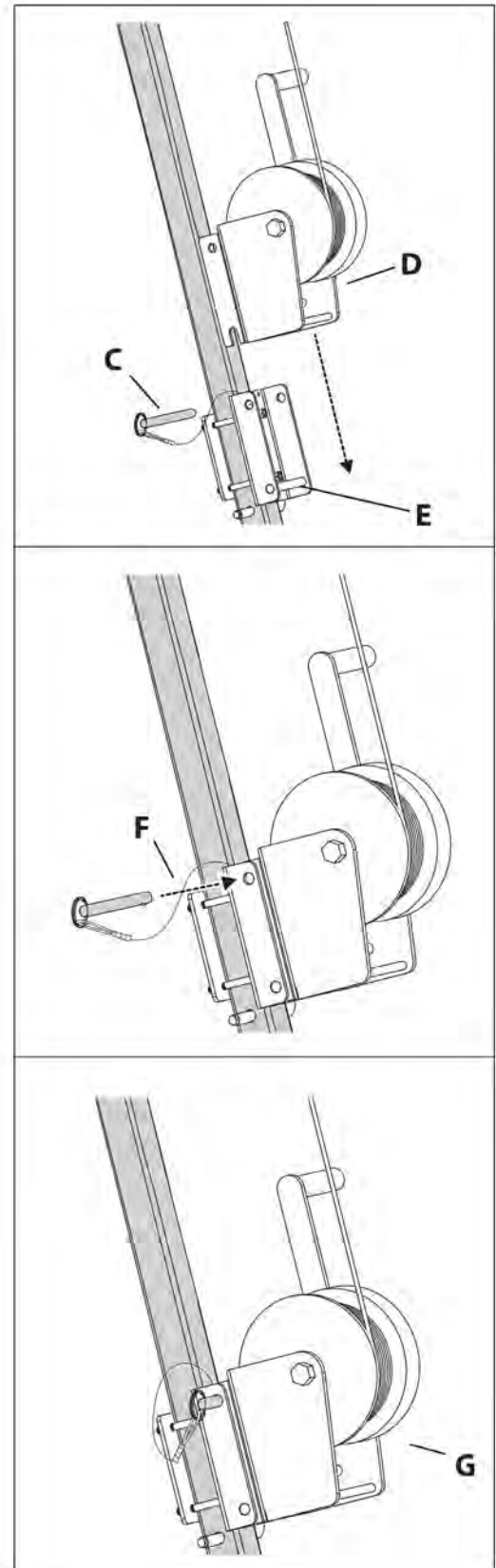


**Figure 5A: Attach Winch to Leg Bracket**

<b>A</b>	Winch with Integral Mounting Bracket
<b>B</b>	Mating Slots for Tripod Leg Bracket Attachment
<b>C</b>	Integral Device Securing Detent Pin
<b>D</b>	Align Mating Slots to Engage Leg Bracket Rod
<b>E</b>	Leg Bracket Rod
<b>F</b>	Insert Detent Pin through Winch and Leg Brackets
<b>G</b>	Winch Secured to Leg Bracket

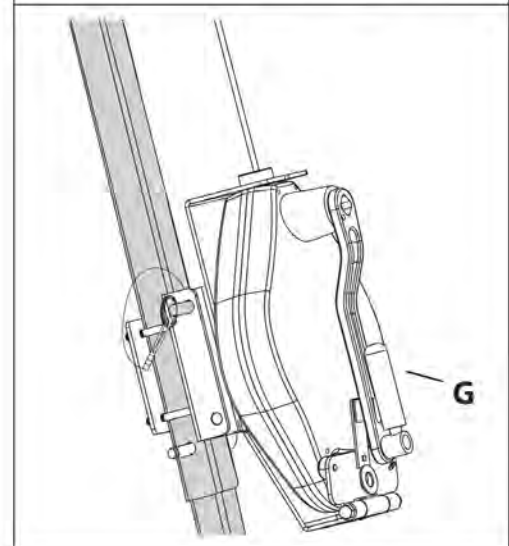
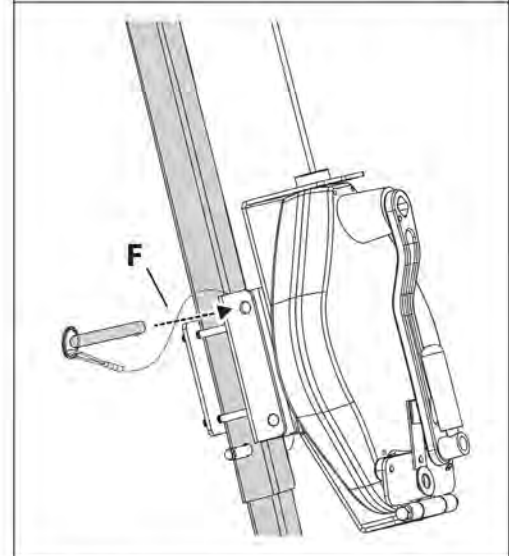
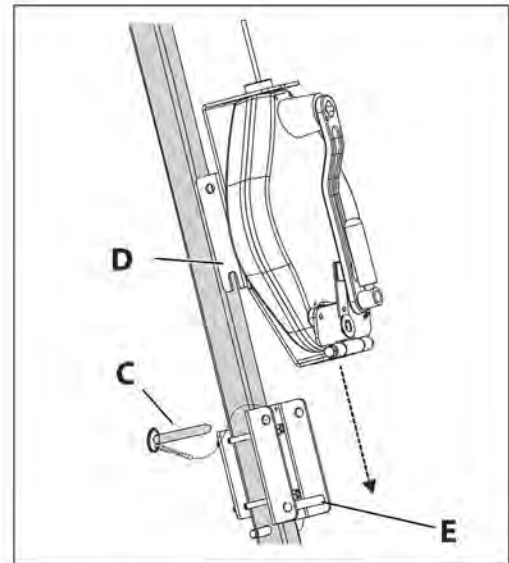
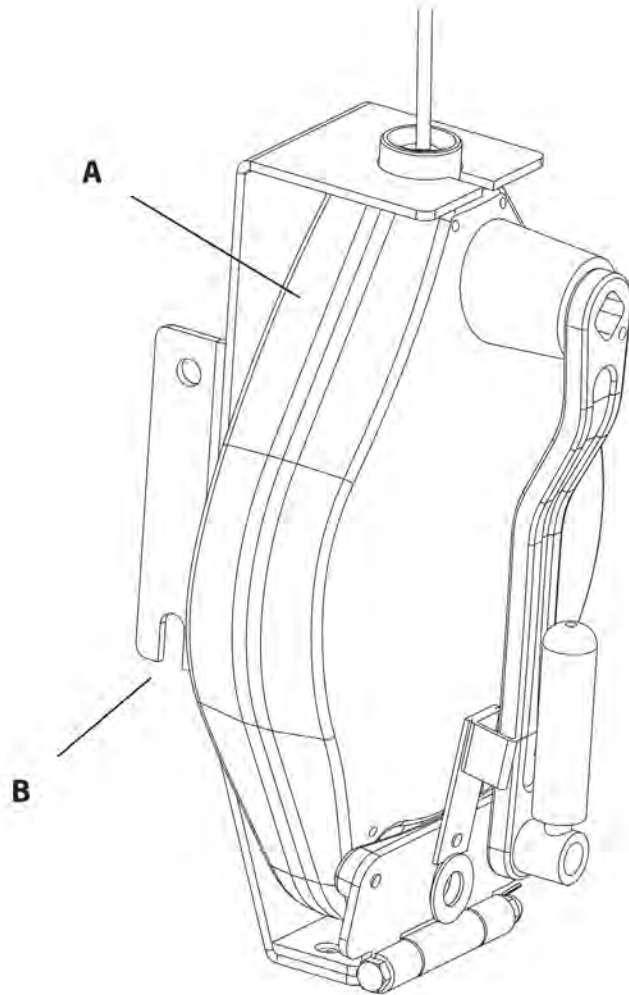
**Figura 5A: Conecte el cabrestante al soporte de la pata**

<b>A</b>	Cabrestante con soporte de montaje integral
<b>B</b>	Ranuras de acoplamiento para la conexión del soporte de las patas del trípode
<b>C</b>	Pasador de retención del dispositivo integral
<b>D</b>	Alinee las ranuras de acoplamiento con la varilla de soporte de las patas
<b>E</b>	Varilla soporte de las patas
<b>F</b>	Inserte el pasador de retención a través del cabrestante y los soportes de las patas
<b>G</b>	Cabrestante sujeto al soporte de las patas



FSC85A.3

TSC85A.1



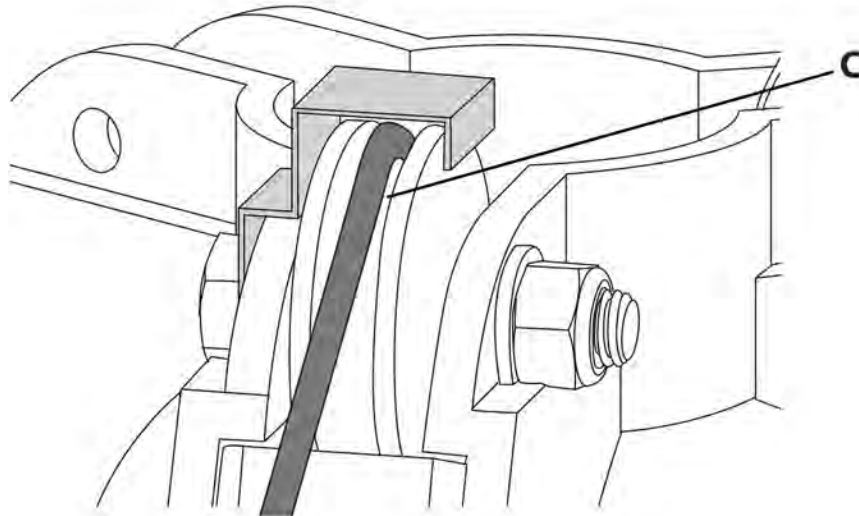
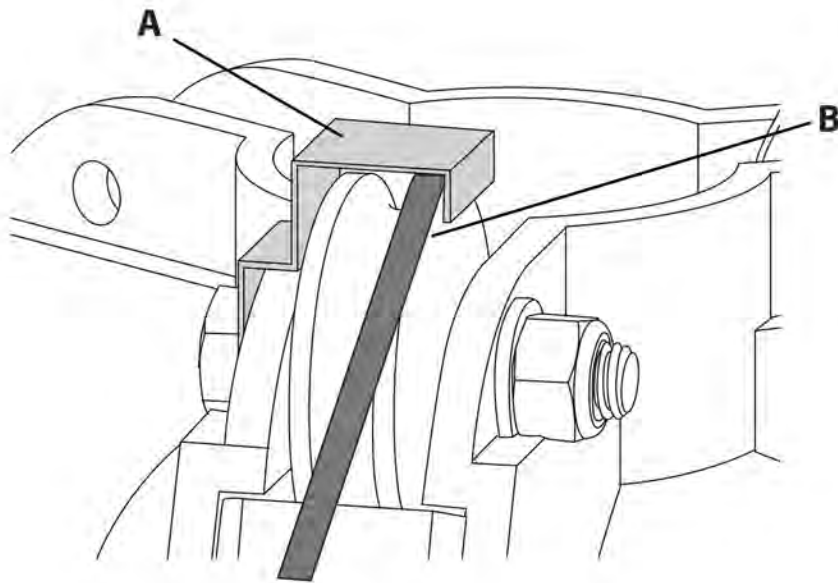
**Figure 5B: Attach Retrieval SRL to Leg Bracket**

A	3-Way Retrieval SRL with Integral Mounting Bracket
B	Mating Slots for Tripod Leg Bracket Attachment
C	Integral Device Securing Detent Pin
D	Align Mating Slots to Engage Leg Bracket Rod
E	Leg Bracket Rod
F	Insert Detent Pin through 3-Way SRL and Leg Brackets
G	3-Way SRL Secured to Leg Bracket

**Figura 5B: Conecte la SRL de recuperación al soporte de la pata**

A	SRL de recuperación de 3 vías, con soporte de montaje integral
B	Ranuras de acoplamiento para la conexión del soporte de las patas del trípode
C	Pasador de retención del dispositivo integral
D	Alinee las ranuras de acoplamiento con la varilla de soporte de las patas
E	Varilla soporte de las patas
F	Inserte el pasador de retención a través de la SRL de 3 vías y los soportes de las patas
G	SRL de 3 vías fijada al soporte de pata

TSC85B.2

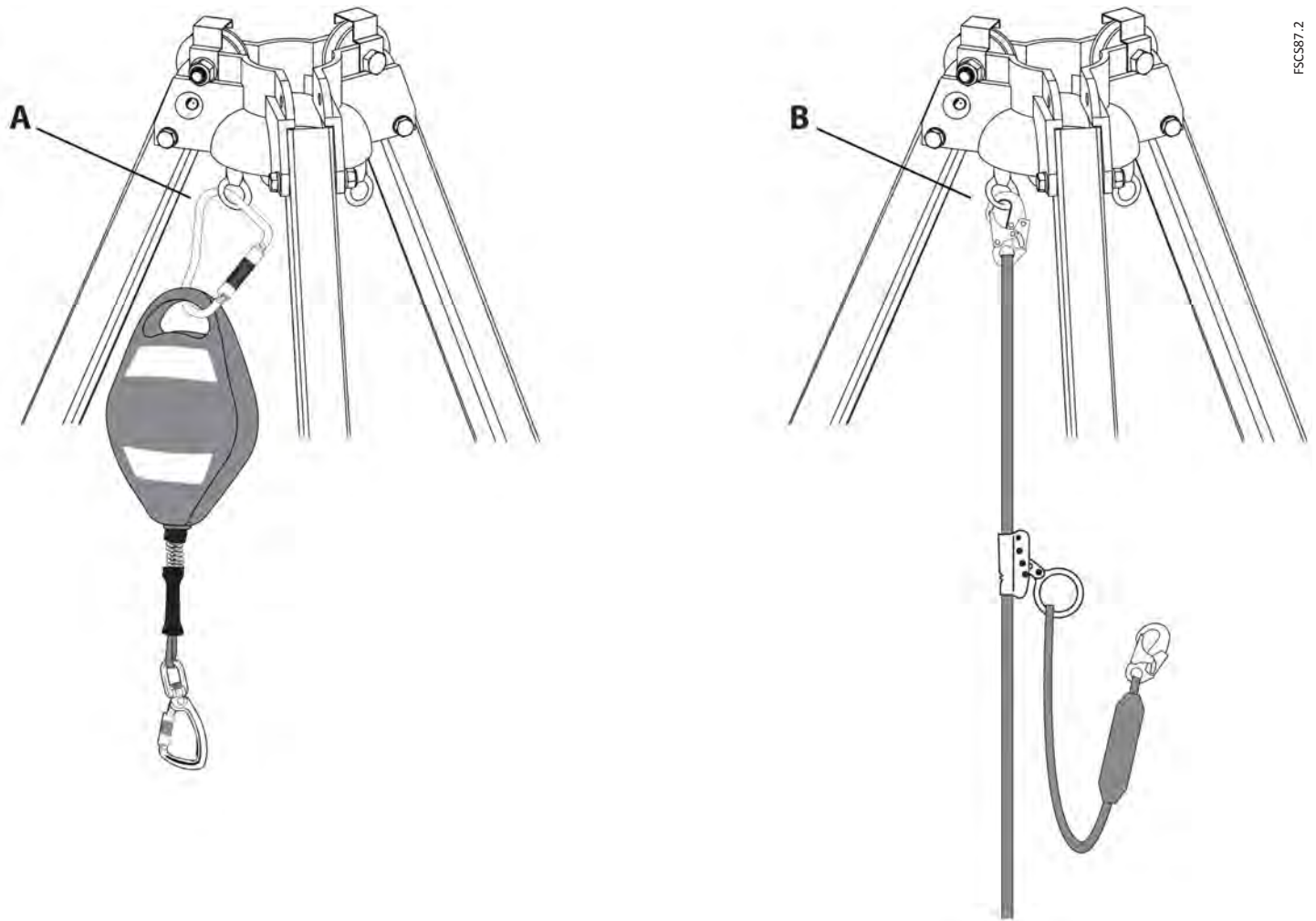


**Figure 6: Integral Pulley Use**

<b>A</b>	Cable Retainer
<b>B</b>	Place Cable Under Retainer
<b>C</b>	Slide Cable onto Pulley

**Figura 6: Uso integral de la polea**

<b>A</b>	Retenedor de cable
<b>B</b>	Coloque el cable debajo del retenedor
<b>C</b>	Deslice el cable en la polea



**Figure 7: Auxilliary Eyebolt Use**

<b>A</b>	Using SRD for Fall Arrest
<b>B</b>	Use of Back-up Fall Arrest (FACSS)

**Figura 7: Uso auxiliar del perno**

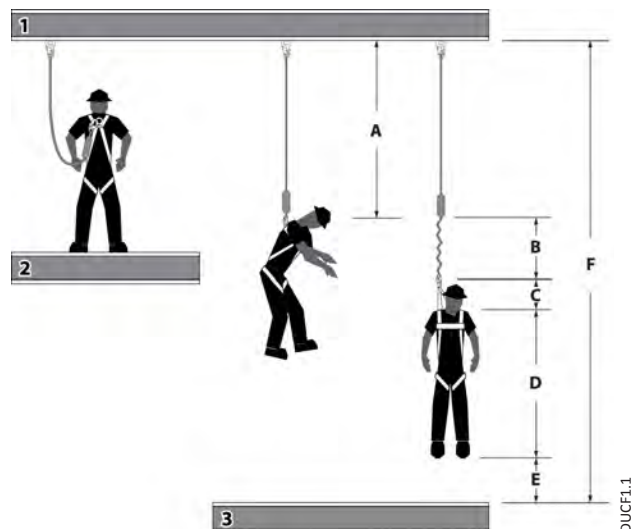
<b>A</b>	Uso de un SRD para detención de caídas
<b>B</b>	Uso de un sistema de detención de caídas de respaldo (FACSS)

TSC87.1

## APPENDIX B

<b>Fig. 1 - Minimum Clear Fall Requirement: 6 ft Shock Absorbing Lanyard</b> Measured from Overhead Anchorage Connector		
A	6 ft	<b>Length of Shock Absorbing Lanyard</b> Original working length before a fall event occurs/before activation of energy absorber
B	4 ft	<b>Elongation/Deceleration Distance</b> Maximum allowable amount of elongation that may payout from the energy absorber upon activation during a fall event
C	1 ft	<b>Harness Stretch and Dorsal D-Ring Shift</b> Combined amount of harness webbing elongation and dorsal back D-ring up-shift during entire fall event
D	5 ft	<b>Height of Dorsal D-ring</b> Typical average height of the dorsal D-Ring on a user's full body harness measured from the walking/working surface up
E	1½ ft	<b>Safety Factor</b> Added length to account for other factors such as an improperly adjusted harness, actual worker height or worker weight
F	17½ ft	<b>Total Minimum Clear Fall Distance Required</b>

1. Overhead Anchorage 2. Walking/Working Surface 3. Nearest Lower Level or Obstruction



<b>Fig. 1 - Requerimiento mínimo de claridad: línea de vida con amortiguación de impactos de 6 pies</b> Medida desde el conector de anclaje superior		
A	6 pies (1,8 m)	<b>Longitud de la línea de vida con amortiguación de impactos</b> Longitud de trabajo original antes de ocurrir un evento de caída/antes de la activación del amortiguador de impactos
B	4 pies (1,2 m)	<b>Distancia de elongación/desaceleración</b> Cantidad máxima permitida de elongación que se puede emplear del amortiguador de energía al activarse durante un evento de caída
C	1 pie (0,3 m)	<b>Cambio del anillo en "D" dorsal y tramo del arnés</b> Cantidad combinada de la elongación de la red del arnés y el cambio del anillo en "D" dorsal durante un evento de caída completa
D	5 pies (1,5 m)	<b>Altura del anillo en "D" dorsal</b> Altura típica promedio del anillo en "D" dorsal en el arnés de cuerpo completo de un usuario, medida desde la superficie para caminar/trabajar hacia arriba
E	1½ pies (0,5 m)	<b>Factor de seguridad</b> Longitud agregada para contar otros factores tales como un ajuste inapropiado del arnés, la altura real del trabajador o el peso del trabajador
F	17½ pies (5,3 m)	<b>Distancia mínima total de caída despejada requerida</b>

1. Anclaje superior 2. Superficie para caminar/trabajar 3. Nivel inferior más cercano u obstrucción

TUCF1.2

DUCF1.1

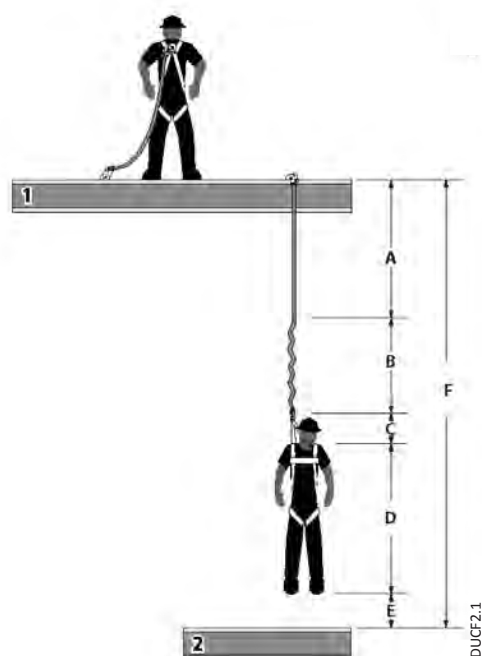
<b>Fig. 2 - Minimum Clear Fall Requirement: 12 ft Free Fall Lanyard</b> Measured from Foot Level Anchorage Connector		
A	6 ft	<b>Length of Shock Absorbing Lanyard</b> Original working length before a fall event occurs/before activation of energy absorber
B	5 ft	<b>Elongation/Deceleration Distance</b> Maximum allowable amount of elongation that may payout from the energy absorber upon activation during a fall event
C	1 ft	<b>Harness Stretch and Dorsal D-Ring Shift</b> Combined amount of harness webbing elongation and dorsal back D-ring up-shift during entire fall event
D	5 ft	<b>Height of Dorsal D-ring</b> Typical average height of the dorsal D-Ring on a user's full body harness measured from the walking/working surface up
E	1½ ft	<b>Safety Factor</b> Added length to account for other factors such as an improperly adjusted harness, actual worker height or worker weight
F	18½ ft	<b>Total Minimum Clear Fall Distance Required</b>

1. Walking/Working Surface 2. Nearest Lower Level or Obstruction

<b>Fig. 2 - Requisito mínimo de caída despejada: línea de vida con amortiguación de impactos para caídas de hasta 12 pies</b> Medida desde el conector de anclaje superior		
A	6 pies (1,8 m)	<b>Longitud de la línea de vida con amortiguación</b> Longitud de trabajo original antes de ocurrir un evento de caída/antes de la activación del amortiguador de energía
B	5 pies (1,5 m)	<b>Distancia de elongación/desaceleración</b> Cantidad máxima permitida de elongación que se puede emplear del amortiguador de energía al activarse durante un evento de caída
C	1 pie (0,3 m)	<b>Cambio del anillo en "D" dorsal y tramo del arnés</b> Cantidad combinada de la elongación de la red del arnés y el cambio del anillo en "D" dorsal durante un evento de caída completa
D	5 pies (1,5 m)	<b>Altura del anillo en "D" dorsal</b> Altura típica promedio del anillo en "D" dorsal en el arnés de cuerpo completo de un usuario, medida desde la superficie para caminar/trabajar hacia arriba
E	1½ pies (0,5 m)	<b>Factor de seguridad</b> Longitud agregada para contar otros factores tales como un ajuste inapropiado del arnés, la altura real del trabajador o el peso del trabajador
F	18½ pies (5,6 m)	<b>Distancia mínima total de caída despejada requerida</b>

1. Superficie para caminar/trabajar 2. Nivel inferior más cercano u obstrucción

TUCF2.2



DUCF2.1



Fig. 3 - Minimum Clear Fall Requirement: ANSI Class A Self-Retracting Device		
A	2 ft	<b>Activation/Deceleration Distance</b> Maximum allowable length of cable or web that may payout from the SRD once deceleration of the user has begun and after a fall event occurs
B	1 ft	<b>Harness Stretch and Dorsal D-Ring Shift</b> Combined amount of harness webbing elongation and dorsal D-ring up-shift during entire fall event
C	1½ ft	<b>Safety Factor</b> Added length to account for other factors such as an improperly adjusted harness, actual worker height or worker weight
D	4½ ft	<b>Total Minimum Clear Fall Distance Required</b>

1. Overhead Anchorage 2. Walking/Working Surface 3. Nearest Lower Level or Obstruction

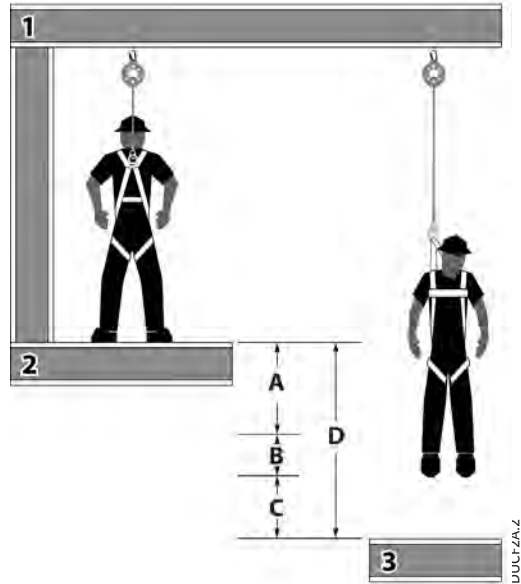


Fig. 3 - Requisito mínimo de caída despejada: Dispositivo auto-retráctil Tipo A de ANSI		
A	2 pies (0,6 m)	<b>Distancia de activación/desaceleración</b> Distancia máxima permitida del cable o red que puede emplearse desde el SRD una vez que la desaceleración del usuario ha comenzado y después de que ocurra un evento de caída
B	1 pie (0,3 m)	<b>Cambio del anillo en "D" dorsal y tramo del arnés</b> Cantidad combinada de la elongación de la red del arnés y el cambio del anillo en "D" dorsal durante un evento de caída completa
C	1½ pies (0,5 m)	<b>Factor de seguridad</b> Longitud agregada para contar otros factores tales como un ajuste inapropiado del arnés, la altura real del trabajador o el peso del trabajador
D	4½ pies (1,4 m)	<b>Distancia mínima total de caída despejada requerida</b>

1. Anclaje superior 2. Superficie para caminar/trabajar 3. Nivel inferior más cercano u obstrucción

TUCFZA.2

DUCFZA.2

Fig. 4 - Minimum Clear Fall Requirement: ANSI Class B Self-Retracting Device		
A	4½ ft	<b>Activation/Deceleration Distance</b> Maximum allowable length of cable or web that may payout from the SRD once deceleration of the user has begun and after a fall event occurs
B	1 ft	<b>Harness Stretch and Dorsal D-Ring Shift</b> Combined amount of harness webbing elongation and dorsal D-ring up-shift during entire fall event
C	1½ ft	<b>Safety Factor</b> Added length to account for other factors such as an improperly adjusted harness, actual worker height or worker weight
D	7 ft	<b>Total Minimum Clear Fall Distance Required</b>

1. Overhead Anchorage 2. Walking/Working Surface 3. Nearest Lower Level or Obstruction

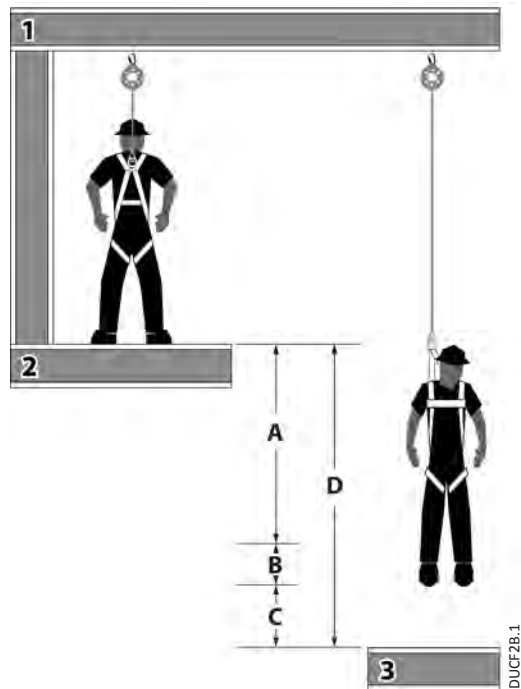


Fig. 4 - Requisito mínimo de caída despejada: Dispositivo auto-retráctil Tipo B de ANSI		
A	4½ pies (1,4 m)	<b>Distancia de activación/desaceleración</b> Distancia máxima permitida del cable o red que puede emplearse desde el SRD una vez que la desaceleración del usuario ha comenzado y después de que ocurra un evento de caída
B	1 pie (0,3 m)	<b>Cambio del anillo en "D" dorsal y tramo del arnés</b> Cantidad combinada de la elongación de la red del arnés y el cambio del anillo en "D" dorsal durante un evento de caída completa
C	1½ pies (0,5 m)	<b>Factor de seguridad</b> Longitud agregada para contar otros factores tales como un ajuste inapropiado del arnés, la altura real del trabajador o el peso del trabajador
D	7 pies (2,1 m)	<b>Distancia mínima total de caída despejada requerida</b>

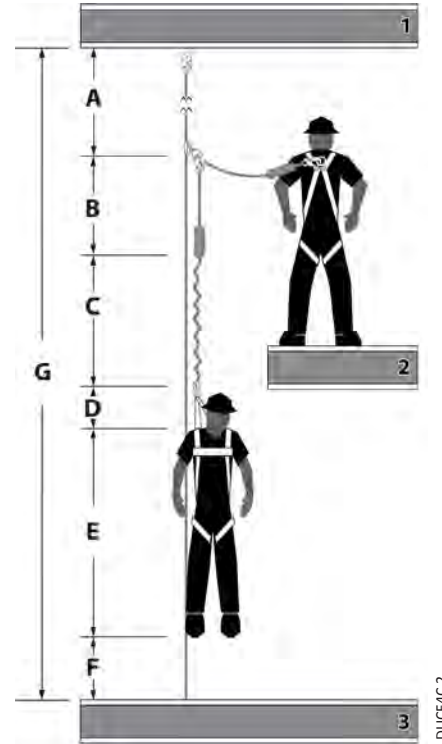
1. Anclaje superior 2. Superficie para caminar/trabajar 3. Nivel inferior más cercano u obstrucción

TUCFZB.1

DUCFZB.1

<b>Fig. 5 - Managing Stretch</b>		
Minimum Clear Fall Requirement: Vertical Lifeline System		
*A	<b>Stretch</b>	<b>Stretch of Vertical Lifeline</b> Stretch = length of VLL from Anchorage Connector to Rope Grab position on VLL multiplied by 10%
B	<b>3 ft</b>	<b>Length of Shock Absorbing Lanyard</b> Original working length before a fall event occurs/before activation of energy absorber
C	<b>4 ft</b>	<b>Elongation/Deceleration Distance</b> Maximum allowable amount of elongation that may payout from the energy absorber upon activation during a fall event
D	<b>1 ft</b>	<b>Harness Stretch and dorsal D-ring Shift</b> Combined amount of harness webbing elongation and dorsal D-ring up-shift during entire fall event
E	<b>5 ft</b>	<b>Height of Dorsal D-ring</b> Average height of the dorsal D-Ring on a user's full body harness measured from the walking/working surface up
F	<b>1½ ft</b>	<b>Safety Factor</b> Added length to account for other factors such as an improperly adjusted harness, actual worker height or worker weight
*G	Add A through F	<b>Total Minimum Clear Fall Distance Required</b> *(must calculate for distance A)

1. Overhead Anchorage 2. Walking/Working Surface 3. Nearest Lower Level or Obstruction



DUCF4C.2

<b>Fig. 5 - Distancia total de caídas</b>		
Requerimiento mínimo de claridad: Sistema de cuerda de salvamento vertical		
*A	<b>Estiramiento</b>	<b>Estiramiento de la cuerda de salvamento vertical</b> Estiramiento = longitud de la VLL desde el conector de anclaje hasta la posición de agarre de la cuerda en VLL multiplicado por 10%
B	<b>3 pies (0,9 m)</b>	<b>Longitud de la cuerda con amortiguación</b> Longitud de trabajo original antes de ocurrir un evento de caída/antes de la activación del amortiguador de energía
C	<b>4 pies (1,2 m)</b>	<b>Distancia de elongación/desaceleración</b> Cantidad máxima permitida de elongación que se puede emplear del amortiguador de energía al activarse durante un evento de caída
D	<b>1 pie (0,3 m)</b>	<b>Cambio del anillo en "D" dorsal y tramo del arnés</b> Cantidad combinada de la elongación de la red del arnés y el cambio del anillo en "D" dorsal durante un evento de caída completa
E	<b>5 pies (1,5 m)</b>	<b>Altura del anillo en "D" dorsal</b> Altura típica promedio del anillo en "D" dorsal en el arnés de cuerpo completo de un usuario, medida desde la superficie para caminar/trabajar hacia arriba
F	<b>1½ pies (0,5 m)</b>	<b>Factor de seguridad</b> Longitud agregada para contar otros factores tales como un ajuste inapropiado del arnés, la altura real del trabajador o el peso del trabajador
*G	Sumar A hasta F	<b>Distancia mínima total de caída despejada requerida</b> *(debe calcular para la distancia A)

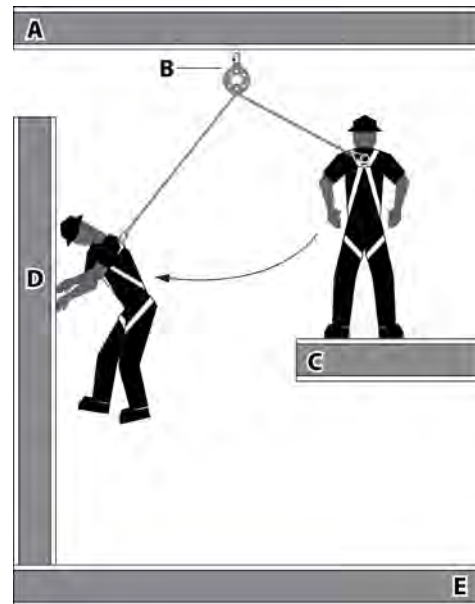
1. Anclaje superior 2. Superficie para caminar/trabajar 3. Nivel inferior más cercano u obstrucción

TUCF4C.1

<b>Fig. 6 - Swing Fall Hazard</b>	
A	Anchorage
B	Self-Retracting Device (SRD)
C	Walking/Working Surface
D	Swing Fall Impact after fall event
E	Next Lower Level or Obstruction

<b>Fig. 6 - Peligro de caída con balanceo</b>	
A	Anclaje
B	Dispositivo autorretráctil (SRD)
C	Superficie para caminar/trabajar
D	Impacto de caída con balanceo después del evento de caída
E	Siguiente nivel inferior u obstrucción

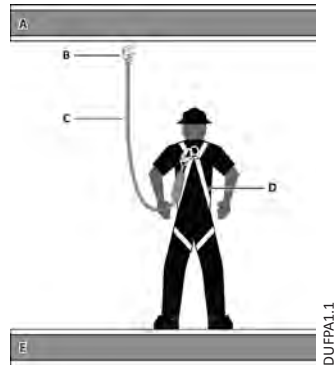
TUSF1.1



DUSF1.2

## Common Fall Protection Applications

Fig. 7 - Fall Arrest (PFAS)	
A	Anchorage
B	Anchorage Connector
C	Shock Absorbing Lanyard (SAL)
D	Full Body Harness (FBH)
E	Walking/Working Surface

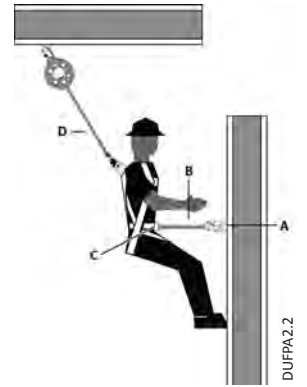


TUFFPA1.1

DUFFPA1.1

Fig. 7 - Detención de caídas (PFAS)	
A	Anclaje
B	Conector de anclaje
C	Cuerda de salvamento con amortiguación (SAL)
D	Arnés de cuerpo completo (FHB)
E	Superficie para caminar/trabajar

Fig. 8 - Work Positioning	
A	Positioning Anchor
B	Positioning Lanyard
C	Full Body Harness (FBH) with Side D-Rings
D	Back-up Fall Arrest (PFAS)

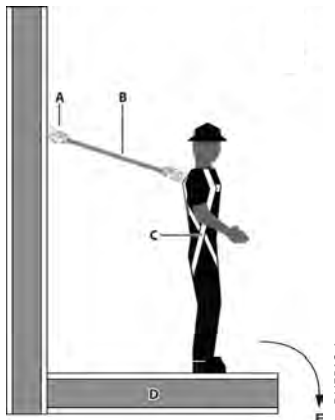


TUFFPA2.1

DUFFPA2.2

Fig. 8 - Posicionamiento del trabajo	
A	Anclaje de posicionamiento
B	Cordón de posicionamiento
C	Arnés de cuerpo completo (FBH) con anillos en "D" laterales
D	Detención de caídas de respaldo (PFAS)

Fig. 9 - Restraint	
A	Restraint Anchor
B	Restraint Lanyard
C	Full Body Harness (FBH)
D	Walking/Working Surface
E	Fall Hazard Area

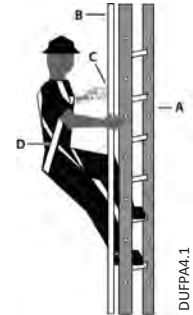


TUFFPA3.1

DUFFPA3.1

Fig. 9 - Restricción	
A	Anclaje de restricción
B	Cordón de restricción
C	Arnés de cuerpo completo (FHB)
D	Superficie para caminar/trabajar
E	Área de peligro de caídas

Fig. 10 - Climbing	
A	Fixed Ladder
B	Ladder Safety System
C	Safety Sleeve/Grab/Trolley
D	Full Body Harness (FBH) with Front D-Ring

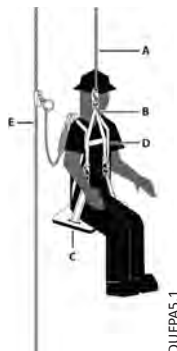


TUFFPA4.1

DUFFPA4.1

Fig. 10 - Escalar	
A	Escalera fija
B	Sistema seguridad de escalera
C	Funda de seguridad/agarre/carrito
D	Arnés de cuerpo completo (FBH) con anillo en "D" delantero

Fig. 11 - Suspension/Personnel Riding	
A	Suspension Line
B	Suspension Yoke
C	Boatswain's Chair/Work Seat
D	Full Body Harness (FBH)
E	Back-up Fall Arrest (PFAS)



DUFFPA5.1

Fig. 11 - Montaje de personal/suspensión	
A	Línea de suspensión
B	Balancín de suspensión
C	Asiento/silla de trabajo de especialista de maniobra
D	Arnés de cuerpo completo (FHB)
E	Detención de caídas de respaldo (PFAS)

TUFFPA5.1

Fig. 12 - Rescue/Retrieval	
A	Retrieval Line
B	Retrieval Yoke
C	FBH Shoulder D-Rings
D	Full Body Harness (FBH)

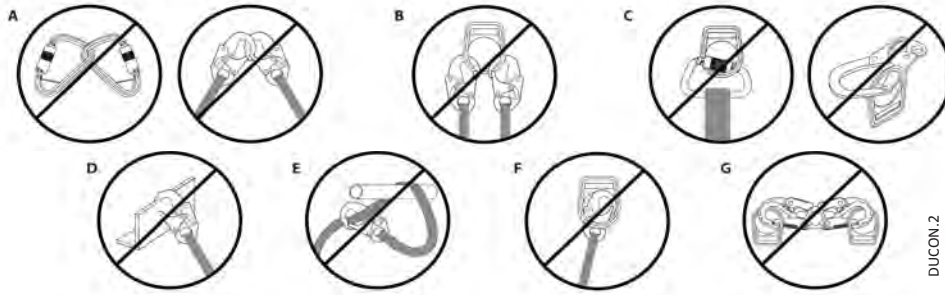


TUFFPA6.1

DUFFPA6.1

Fig. 12 - Rescate/Retirada	
A	Línea de retirada
B	Balancín de retirada
C	Anillos en "D" para los hombros del FBH
D	Arnés de cuerpo completo (FHB)

## Incorrect Connections / Acronyms for Fall Protection and Fall Arrest / Inspection Record



DUCON.2

Fig. 13 - Incorrect Connections	
<b>A</b>	Never connect two active components (snap hooks or carabiners) to each other.
<b>B</b>	Never connect two active components (snap hooks or carabiners) to a single D-ring at the same time.
<b>C</b>	Never connect in a way that would produce a condition of loading on the gate.
<b>D</b>	Never attach to a object in a manner whereby the gate (of the snap hook or carabiner) would be prevented from fully closing and locking. Always guard against false connections by visually inspecting for closure and lock.
<b>E</b>	Never attach explicitly to a constituent subcomponent (webbing, cable or rope) unless specifically provided for by the manufacturer's instructions for both subcomponents (snap hook or carabiner and webbing, cable or rope).
<b>F</b>	Never attach in a manner where an element of the connector (gate or release lever) may become caught on the anchor thereby producing additional risk of false engagement.
<b>G</b>	Never attach a spreader snap hook to two side/positioning D-rings in a manner whereby the D-rings will engage the gates; the gates on a spreader must always be facing away from the D-rings during work positioning.

Fig. 13 - Conexiones incorrectas	
<b>A</b>	Nunca conecte dos componentes activos (ganchos de cierre instantáneo o mosquetones) entre sí.
<b>B</b>	Nunca conecte dos componentes activos (ganchos de cierre instantáneo o mosquetones) a un solo anillo en "D" al mismo tiempo.
<b>C</b>	Nunca se debe conectar de una manera que se produzca una condición de carga en la hebilla.
<b>D</b>	Nunca conecte a un objeto de tal manera que la hebilla (del gancho de cierre instantáneo o del mosquetón) se vea impedida de cerrarse y bloquearse por completo. Siempre protéjase de falsas conexiones mediante la inspección visual del cierre y bloqueo.
<b>E</b>	Nunca conecte explícitamente a un subcomponente constituyente (correa, cable o cuerda), a menos que se hayan proporcionado específicamente por las instrucciones del fabricante para los subcomponentes (gancho de cierre instantáneo o mosquetón y correa, cable o cuerda).
<b>F</b>	Nunca conecte de modo que un elemento del conector (hebilla o palanca de liberación) pueda quedar atrapada en el anclaje y por lo tanto producir un riesgo adicional de conexión falsa.
<b>G</b>	Nunca conecte un gancho de cierre instantáneo del esparcidor a dos anillos en "D" laterales/de posicionamiento en una forma que los anillos en "D" se acoplen a la hebillas; las hebillas en un esparcidor deben estar siempre orientadas hacia el lado opuesto de los anillos en "D" durante el posicionamiento del trabajo.

TUON.2

Acronyms for Fall Protection and Fall Arrest; ANSI Z359.0-2012			
<b>ACTD</b>	Activation Distance	<b>HLL</b>	Horizontal Lifeline
<b>AD</b>	Arrest Distance	<b>MAF</b>	Maximum Arrest Force
<b>CSS</b>	Connecting Subsystem	<b>mm</b>	Millimeter
<b>DD</b>	Deceleration Distance	<b>PFAS</b>	Personal Fall Arrest System
<b>DDV</b>	Deceleration Device	<b>PPE</b>	Personal Protective Equipment
<b>FACSS</b>	Fall Arrestor Connecting Subsystem	<b>SRD</b>	Self-retracting Device
<b>FAS</b>	Fall Arrest System	<b>TFD</b>	Total Fall Distance
<b>FBH</b>	Full Body Harness	<b>VLL</b>	Vertical Lifeline
<b>FF</b>	Free Fall	<b>VLLSS</b>	Vertical Lifeline Subsystem
<b>FFD</b>	Free Fall Distance	<b>WPS</b>	Work Positioning System
Other Acronyms for Fall Protection and Fall Arrest			
<b>RGLS</b>	Rope Grab Lanyard Set	<b>ANSI</b>	American National Standards Institute
<b>SAL</b>	Shock Absorbing Lanyard	<b>OSHA</b>	Occupational Safety and Health Administration
<b>cm</b>	Centimeters	<b>ASTM</b>	American Society for Testing and Materials
<b>kN</b>	kilo-Newton	<b>lbs</b>	pounds (weight)
<b>RPA</b>	Rebar Positioning Assembly	<b>TPA</b>	Tower Positioning Assembly

Siglas para la protección y detención de caídas; ANSI Z359.0-2012			
<b>ACTD</b>	Distancia de activación	<b>HLL</b>	Cuerda de salvamento horizontal
<b>AD</b>	Distancia de detención	<b>MAF</b>	Fuerza de detención máxima
<b>CSS</b>	Subsistema de conexión	<b>mm</b>	Milímetro
<b>DD</b>	Distancia de desaceleración	<b>PFAS</b>	Sistema personal de detención de caídas
<b>DDV</b>	Dispositivo de desaceleración	<b>PPE</b>	Personal Protective Equipment
<b>FACSS</b>	Subsistema de conexión de detenedor de caídas	<b>SRD</b>	Self-retracting Device
<b>FAS</b>	Sistema de detención de caídas	<b>TFD</b>	Total Fall Distance
<b>FBH</b>	Arnés de cuerpo completo	<b>VLL</b>	Vertical Lifeline
<b>FF</b>	Caída libre	<b>VLLSS</b>	Vertical Lifeline Subsystem
<b>FFD</b>	Distancia de caída libre	<b>WPS</b>	Work Positioning System
Other Acronyms for Fall Protection and Fall Arrest			
<b>RGLS</b>	Equipo de agarre de cordón/cuerda	<b>ANSI</b>	Instituto Nacional de Normas de los Estados Unidos
<b>SAL</b>	Cuerda de salvamento con amortiguación	<b>OSHA</b>	Administración de Seguridad y Salud Ocupacional
<b>cm</b>	Centímetros	<b>ASTM</b>	Sociedad Americana de Pruebas y Materiales
<b>kN</b>	Kilo Newton	<b>lbs</b>	Libras (peso)
<b>RPA</b>	Ensamblaje de posicionamiento con refuerzo	<b>TPA</b>	Ensamblaje de posicionamiento con torre

TUAA.2

INSPECTION RECORD PLANILLA de INSPECCIÓN					
Model # Modelo N° : _____		Serial # N° de serie : _____			
Date of Manufacture Fecha de fabricación : _____					
Inspection Date <i>Fecha de inspección</i>	Inspector <i>Inspector</i>	Comments <i>Observaciones</i>	Pass/Fail <i>Pasó/No pasó</i>	Corrective Action Needed <i>Acción correctiva a realizar</i>	Approved By <i>Aprobado por</i>

## APPENDIX C

### Considerations for Rescue from a Permit-Required Confined Space

#### General Rescue Requirements

The equipment specified in this manual is designed to work as part of a system to help facilitate non-entry rescue and entry rescue from confined spaces.

Confined spaces vary in size, shape, configuration and hazard, and the equipment/device(s) detailed in this manual may not be suitable for use during some permit-required confined space entries. Hazards such as entanglement, electric arc, engulfment, and general lift obstructions may interfere with safe rescue and cause greater harm to the entrant.

All confined space entries should be planned whenever possible in such a manner that any foreseeable hazard is mitigated and non-entry rescue can be facilitated.

In the case that non-entry rescue is not feasible a rescue plan must be in place that provides rescuers with knowledge about the specific confined space hazards they may encounter during a rescue, training on appropriate rescue methods for the confined space they will be entering and the correct equipment and PPE to perform the entry rescue. Please reference OSHA code CFR 1926.1211 for further details on employer responsibilities in preparing for both entry and non-entry rescue.

#### System Configurations for Non-Entry Rescue Methods

When entering a permit-required confined space non-entry rescue is required unless retrieval equipment would increase the overall risk of entry or would not contribute to the rescue of the worker. Mechanical devices must be available to retrieve personnel from vertical type permit spaces more than 5 feet deep. When using mechanical devices for non-entry rescue, consideration must be given to the means of entry/egress, the mitigation of fall hazards and the method of emergency retrieval.

##### **1. Single Line – Winch Only – Entry/Egress Using Ladder**

When a single mechanical device is used for non-entry rescue into a confined space it serves only as backup to the worker's primary entry/egress method. In most cases the primary means of entry/egress into a vertical confined space is a ladder.

When using only a winch as the backup to the entrant's primary means of entry and egress, the attendant should take care to keep the winch line taut to avoid any potential overload due to a fall event on the winch line. The winch is not a fall arrest device and must not be subjected to fall forces. The winch is for emergency retrieval only. See Figure 1.

##### **2. Single Line – SRL-R Only – Entry/Egress using ladder**

When a single mechanical device is used for non-entry rescue into a confined space it serves only as backup to the worker's primary entry/egress method. In most cases the primary means of entry/egress into a vertical confined space is a ladder.

When using an SRL-R only as a back up to the worker's primary means of entry and egress the device cable will pay freely in and out of the housing as the entrant moves into the vertical confined space. In the event the entrant falls the SRL-R will arrest the fall and reduce fall forces applied to the body. The attendant may then engage the backup emergency retrieval winch to raise the entrant out of the confined space. The emergency retrieval winch is not to be used for ordinary entry/egress in and out of the confined space. See Figure 2.

##### **3. Dual Line – Winch and SRL/Alternate PFAS - Entry/Egress Using Ladder**

When a confined space has an existing ladder but the attendant is unable to maintain a taut winch line as the entrant descends and ascends from the confined space, it is possible to use a regular SRD or Fall Arrestor Connector Subsystem (FACSS) to provide protection from impacting and overloading the winch during a fall event.

In this case the PFAS provides fall protection as the worker freely moves vertically, and the winch provides backup as the emergency retrieval device from the confined space. See Figure 3.

##### **4. Dual Line – Winch and SRL-R – Entry/Egress Using a Winch**

When no alternate method of entry/egress (such as a ladder) exists the confined space entrant will be suspended, raised and lowered with the winch line attached to a shoulder yoke or sternal D-Ring of a Full Body Harness. An SRL-R is then attached to the dorsal D-ring of the Full Body Harness to provide fall arrest and emergency retrieval. Suspended workers are required to have a backup system to their primary means of entry/egress that will limit fall forces to the body and provide emergency retrieval in the event of a winch malfunction. See Figure 4.

## APÉNDICE C

### Consideraciones para el rescate desde un espacio confinado con requerimiento del permiso

#### Requisitos generales para el rescate

El equipo especificado en este manual está diseñado para funcionar como parte de un sistema para ayudar a facilitar el rescate con y sin entrada desde espacios confinados.

Los espacios confinados varían en tamaño, forma, configuración y riesgo, y el equipo(s)/dispositivo(s) que se detallan en este manual pueden no ser adecuados para su uso en algunas entradas al espacio confinado con el requisito del permiso. Los peligros tales como enredo, arco eléctrico, inmersiones y obstrucciones en elevación general pueden interferir con el rescate seguro y causar más daño a la persona que ingresa.

Todas las entradas a espacios confinados deben ser planificadas siempre que sea posible de tal forma que cualquier riesgo previsible sea mitigado y se pueda facilitar el rescate sin entrada.

En el caso de que el rescate sin entrada no sea posible, se debe ejecutar un plan de rescate que proporcione a los socorristas los conocimientos sobre los peligros específicos de los espacios confinados que pueden encontrar durante un rescate, capacitación sobre los métodos apropiados de rescate para el espacio confinado en el cual entrarán, y los equipos correctos y equipos de protección personal (PPE, por sus siglas en inglés) para realizar el rescate con entrada. Consulte el código CFR 1926.1211 de la OSHA para más detalles sobre las responsabilidades del empleador en la preparación para el rescate con y sin entrada.

#### Configuraciones del sistema para métodos de rescate sin entrada

Al entrar en un espacio confinado que requiere permiso, el rescate sin entrada es requerido a menos que los equipos de recuperación aumentarían el riesgo total de la entrada o no contribuirían con el rescate del trabajador. Los dispositivos mecánicos deben estar disponibles para recuperar al personal de los espacios con permiso tipo vertical a más de 5 pies de profundidad. Al utilizar dispositivos mecánicos para el rescate sin entrada, se debe tener en cuenta los medios de entrada/salida, la mitigación de los peligros de caídas y el método de recuperación de emergencia.

#### **1. Línea única - solo con cabrestante - Entrada/salida con el uso de una escalera**

Cuando un solo dispositivo mecánico es utilizado para el rescate sin entrada en un espacio confinado, sólo sirve como respaldo para el método de entrada/salida primario del trabajador. En la mayoría de los casos, el principal medio de entrada/salida en un espacio confinado vertical es una escalera.

Cuando se utiliza sólo un cabrestante como respaldo para el medio primario de entrada y salida, el operador debe tener cuidado de mantener la tensión de la línea del cabrestante para evitar cualquier posible sobrecarga debido a una caída en la línea del cabrestante. El cabrestante no es un dispositivo de detención de caídas y no debe estar sometido a fuerzas de caída. El cabrestante es sólo para recuperación de emergencia. Ver la Figura 1.

#### **2. Línea única - solo con SRL-R - Entrada/salida con el uso de una escalera**

Cuando un solo dispositivo mecánico es utilizado para el rescate sin entrada en un espacio confinado, sólo sirve como respaldo para el método de entrada/salida primario del trabajador. En la mayoría de los casos, el principal medio de entrada/salida en un espacio confinado vertical es una escalera.

Cuando se utiliza una SRL-R sólo como respaldo para el medio primario de entrada y salida del trabajador, el cable del dispositivo debe salir libremente de la carcasa, a medida que el operador se mueve en el espacio confinado vertical. En el caso de que el operador se caiga, la SRL-R detendrá la caída y reducirá las fuerzas de caída aplicadas al cuerpo. Luego el operador puede conectar el cabrestante de recuperación de emergencia de respaldo para que la persona que está adentro salga del espacio confinado. El cabrestante de recuperación de emergencia no se debe utilizar para la entrada/salida ordinaria dentro y fuera del espacio confinado. Ver la Figura 2.

#### **3. Línea doble - Cabrestante y SRL/PFAS Alternativo - Entrada/salida con el uso de una escalera**

Cuando un espacio confinado tiene una escalera, pero el operador no puede mantener una línea tensa del cabrestante a medida que la persona desciende y asciende desde el espacio confinado, es posible usar un SRD regular o un Subsistema de conexión de detenedor de caídas (FACSS) para proporcionar protección contra el impacto y la sobrecarga del cabrestante durante un evento de caída.

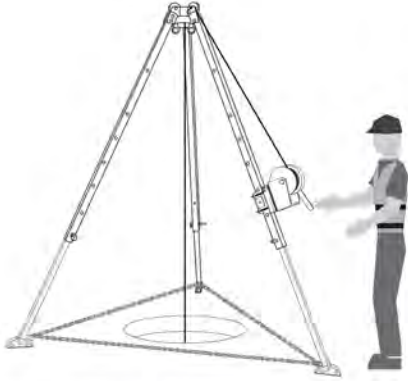
En este caso, el PFAS proporciona protección contra caídas a medida que el trabajador se mueve libremente en el plano vertical, y el cabrestante proporciona respaldo a medida que el dispositivo de recuperación de emergencia sale del espacio confinado. Ver la Figura 3.

#### **4. Línea doble - Cabrestante y SRL-R - Entrada/salida con el uso de un cabrestante**

Cuando no hay ningún método alternativo de entrada/salida (como una escalera), la persona que entra al espacio confinado quedará suspendida, se subirá y bajará con la línea del cabrestante conectada a un balancín para el hombro o anillo en "D" esternal de un arnés de cuerpo completo. Una SRL-R se conecta al anillo en "D" dorsal del arnés de cuerpo completo para proporcionar detención de caída y recuperación de emergencia. Los trabajadores suspendidos deben tener un sistema de respaldo en su medio primario de entrada/salida que limitará las fuerzas de caída para el cuerpo y proporcionará recuperación de emergencia en caso de una avería en el cabrestante. Ver la Figura 4.

APPENDIX C

DUCSC1.1



DUCSC2.1

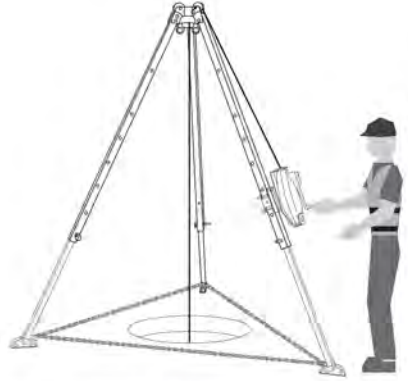
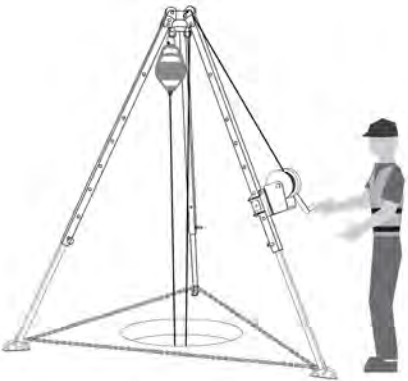


Figure 1 Figura 1

Figure 2 Figura 2

DUCSC3.2



DUCSC4.1

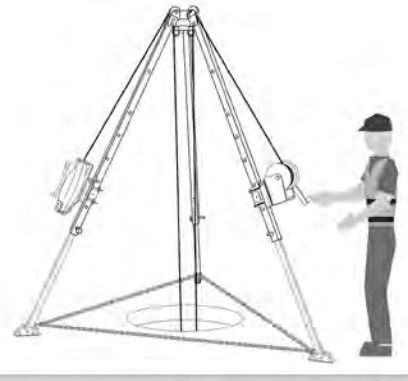


Figure 3 Figura 3

Figure 4 Figura 4